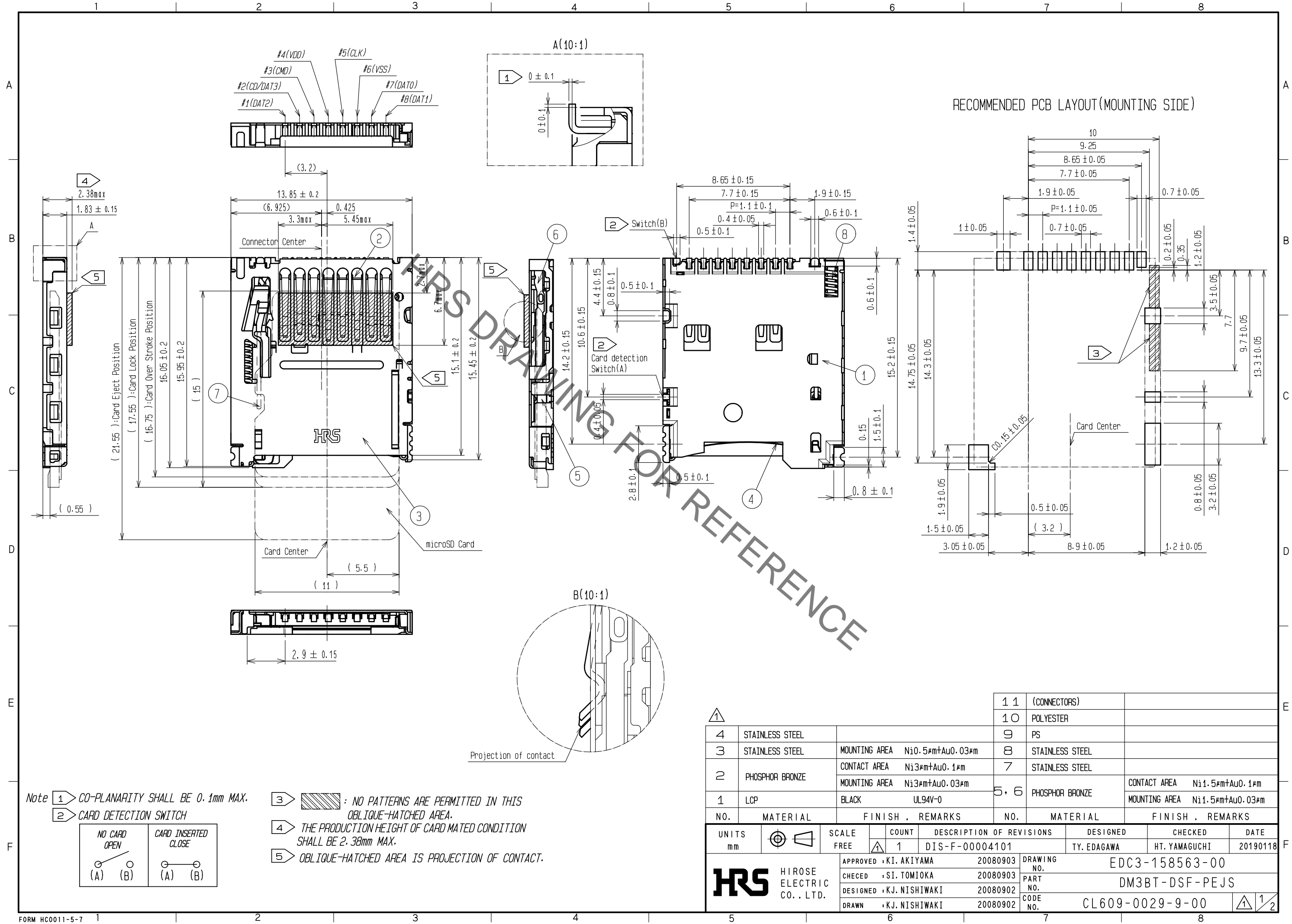


Jul.1.2019 Copyright 2019 HIROSE ELECTRIC CO., LTD. All Rights Reserved.  
 In case of consideration for using Automotive equipment / device which demand high reliability, kindly contact our sales window correspondents.



RECOMMENDED PCB LAYOUT (MOUNTING SIDE)

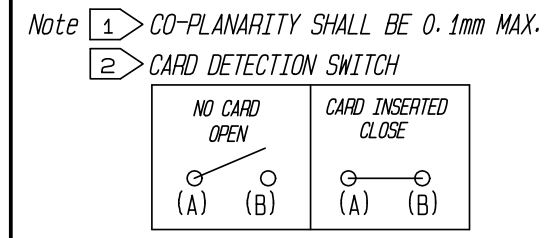
NO.	MATERIAL	FINISH	REMARKS	NO.	MATERIAL	FINISH	REMARKS
1	1		(CONNECTORS)	5	6		PHOSPHOR BRONZE
10	10		POLYESTER				
9	9		PS				
8	8		STAINLESS STEEL				
7	7		STAINLESS STEEL				
6	6		PHOSPHOR BRONZE				
5	5		PHOSPHOR BRONZE				
4	4		STAINLESS STEEL				
3	3		STAINLESS STEEL				
2	2		PHOSPHOR BRONZE				
1	1		LCP				

UNITS	SCALE	COUNT	DESCRIPTION OF REVISIONS	DESIGNED	CHECKED	DATE
mm	FREE	1	DIS-F-00004101	TY. EDAGAWA	HT. YAMAGUCHI	20190118

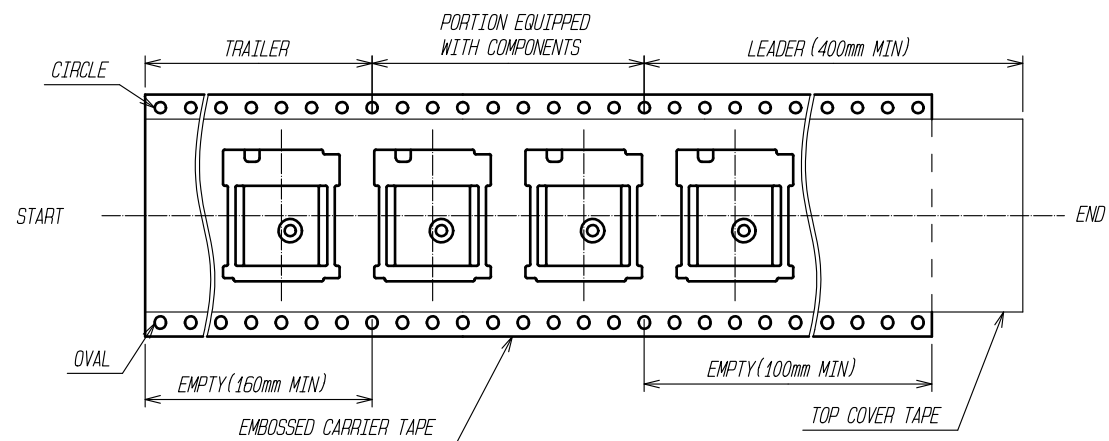
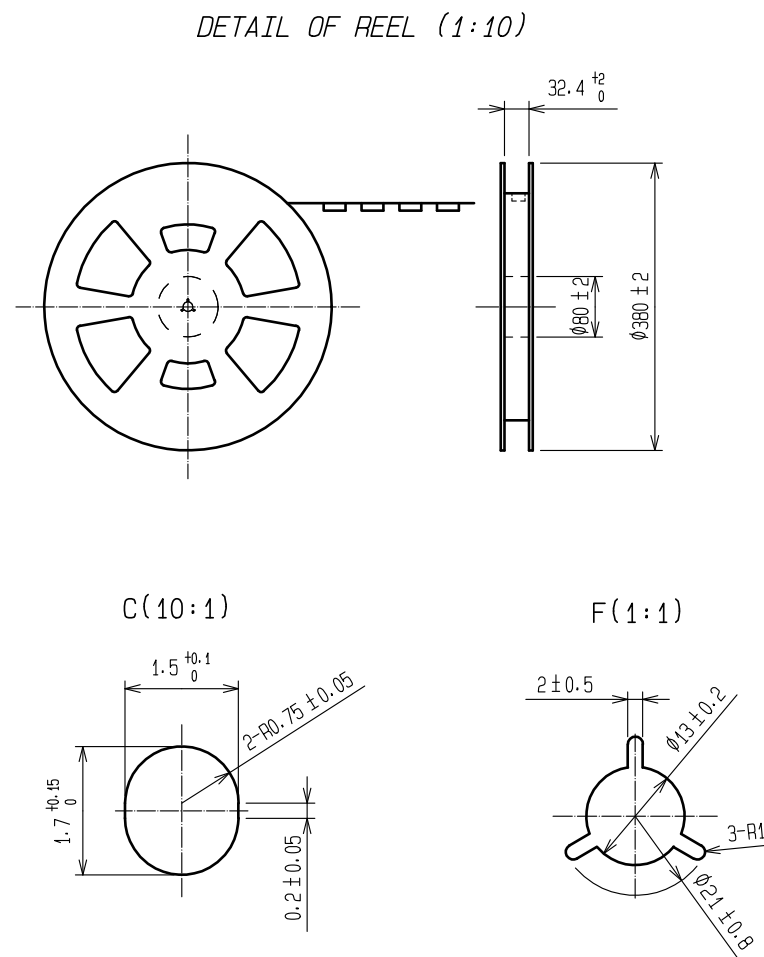
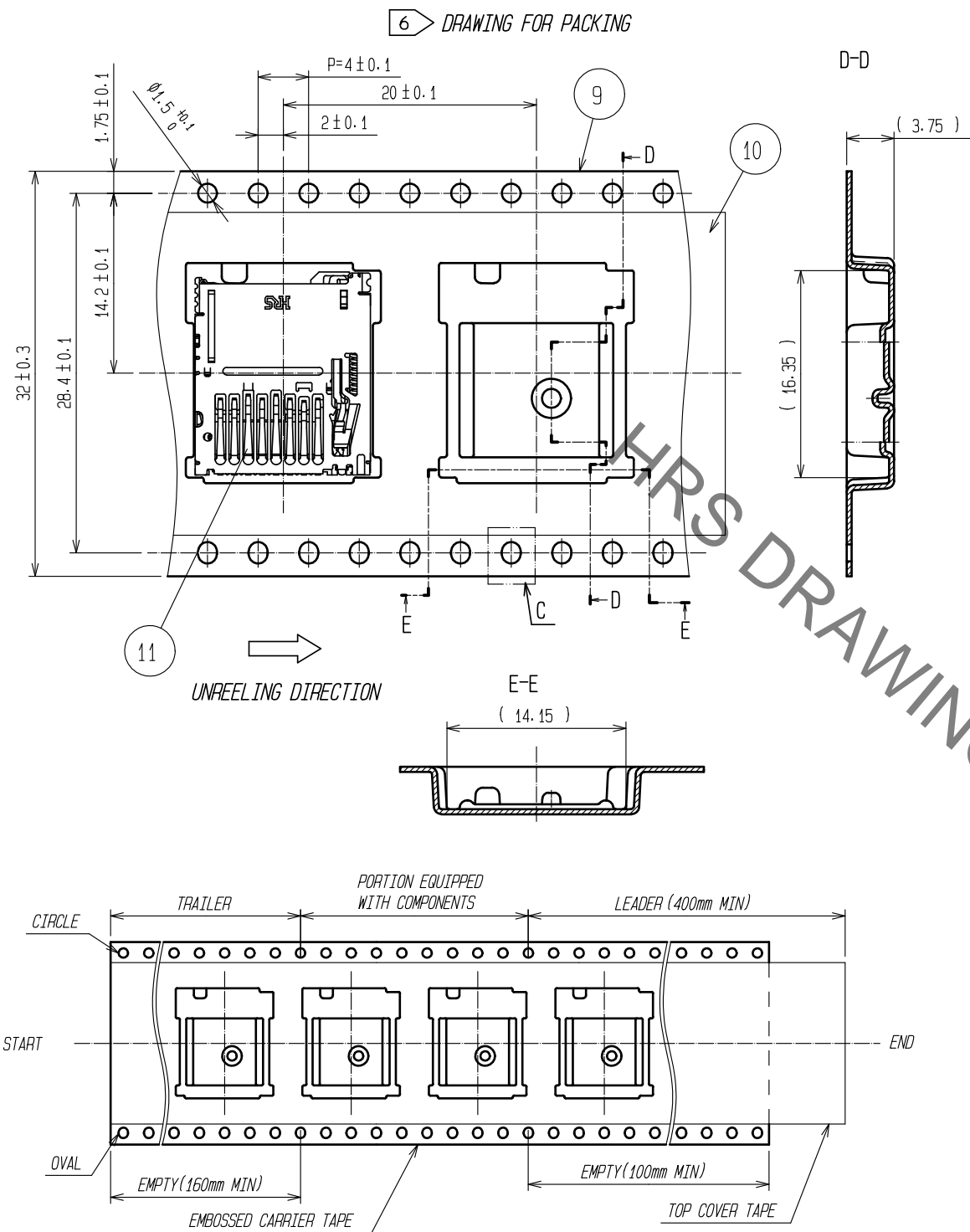
  

APPROVED	CHECKED	DESIGNED	DRAWN	DRAWING NO.	PART NO.	CODE NO.
KI. AKIYAMA	SI. TOMIOKA	KJ. NISHIWAKI	KJ. NISHIWAKI	EDC3-158563-00	DM3BT-DSF-PEJS	CL609-0029-9-00
20080903	20080903	20080902	20080902			



- 3: NO PATTERNS ARE PERMITTED IN THIS OBLIQUE-HATCHED AREA.
- 4: THE PRODUCTION HEIGHT OF CARD MATED CONDITION SHALL BE 2.38mm MAX.
- 5: OBLIQUE-HATCHED AREA IS PROJECTION OF CONTACT.

Jul.1.2019 Copyright 2019 HIROSE ELECTRIC CO., LTD. All Rights Reserved.  
 In case of consideration for using Automotive equipment / device which demand high reliability, kindly contact our sales window correspondents.



MANUFACTURING DATE

YEAR	MONTH	DATE							
YEAR	SYMBOL	MONTH	SYMBOL	DATE	SYMBOL	DATE	SYMBOL	DATE	SYMBOL
2010	0	Jan.	A	1	1	11	B	21	M
2011	1	Feb.	B	2	2	12	C	22	N
2012	2	Mar.	C	3	3	13	D	23	P
2013	3	Apr.	D	4	4	14	E	24	Q
2014	4	May.	E	5	5	15	F	25	R
2015	5	Jun.	F	6	6	16	G	26	S
2016	6	Jul.	G	7	7	17	H	27	T
2017	7	Aug.	H	8	8	18	J	28	U
2018	8	Sep.	I	9	9	19	K	29	V
2019	9	Oct.	J	10	A	20	L	30	W
		Nov.	K					31	X
		Dec.	L						

PACKING TYPE: TAPE AND REEL. 1200PCS PER REEL.

PLEASE REFER TO TECHNICAL SPECIFICATION : ETAD-F044B  
 \*DM3BT SERIES PRODUCT INFORMATION AND HANDLING INSTRUCTIONS\*  
 FOR THE HANDLING OF THE PRODUCT.

Lot.No. SHALL BE INDICATED AS SHOWN.

e.g. 9 A H 1

PRODUCTION LINE: LINE No. 1  
 DATE: 17th  
 MONTH: Jan.  
 YEAR: 2019

<b>HRS</b>	DRAWING NO.	EDC3-158563-00
	PART NO.	DM3BT-DSF-PEJS
	CODE NO.	CL609-0029-9-00
		2/2