

Fully Integrated Switch-Mode One-Cell Li-Ion Charger with Full USB Compliance

Check for Samples: [bq24155](#)

FEATURES

- Charge Faster than Linear Chargers
- High-Accuracy Voltage and Current Regulation
 - Input Current Regulation Accuracy: $\pm 5\%$ (100 mA and 500 mA)
 - Charge Voltage Regulation Accuracy: $\pm 0.5\%$ (25°C), $\pm 1\%$ (0°C-125°C)
 - Charge Current Regulation Accuracy: $\pm 5\%$
- High-Efficiency Mini-USB/AC Battery Charger for Single-Cell Li-Ion and Li-Polymer Battery Packs
- 20-V Absolute Maximum Input Voltage Rating
- 6-V Maximum Operating Input Voltage
- Built-In Input Current Sensing and Limiting
- Integrated Power FETs for Up To 1.25-A Charge Rate
- Programmable Charge Parameters through I²C™ Compatible Interface (up to 3.4 Mbps):
 - Input Current
 - Fast-Charge/Termination Current
 - Charge Voltage (3.5 V to 4.44 V)
 - Safety Timer with Reset Control
 - Termination Enable
- Synchronous Fixed-Frequency PWM Controller Operating at 3 MHz with 0% to 99.5% Duty Cycle
- Automatic High Impedance Mode for Low Power Consumption
- Robust Protection
 - Reverse Leakage Protection Prevents Battery Drainage
 - Thermal Regulation and Protection
 - Input/Output Overvoltage Protection
- Status Output for Charging and Faults
- USB Friendly Boot-Up Sequence
- Automatic Charging
- Power Up System without Battery
- 3.5 mm x 3.5 mm 14-Pin QFN Package

APPLICATIONS

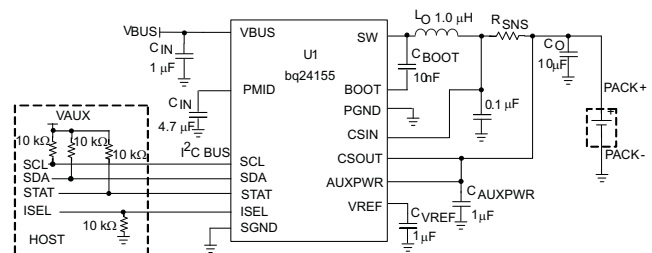
- Mobile and Smart Phones
- MP3 Players
- Handheld Devices

DESCRIPTION

The bq24155 is a compact, flexible, high-efficiency, USB-friendly switch-mode charge management device for single-cell Li-ion and Li-polymer batteries used in a wide range of portable applications. The charge parameters can be programmed through an I²C interface. The bq24155 integrates a synchronous PWM controller, power FETs, input current sensing, high-accuracy current and voltage regulation, and charge termination, into a small WCSP package.

The bq24155 charges the battery in three phases: conditioning, constant current and constant voltage. The input current is automatically limited to the value set by the host. Charge is terminated based on user-selectable minimum current level. A safety timer with reset control provides a safety backup for I²C interface. During normal operation, bq24155 automatically restarts the charge cycle if the battery voltage falls below an internal threshold and automatically enters sleep mode or high impedance mode when the input supply is removed. The charge status is reported to the host using the I²C compatible interface.

Typical Application Circuit



Please be aware that an important notice concerning availability, standard warranty, and use in critical applications of Texas Instruments semiconductor products and disclaimers thereto appears at the end of this data sheet.

I²C is a trademark of Philips Electronics.

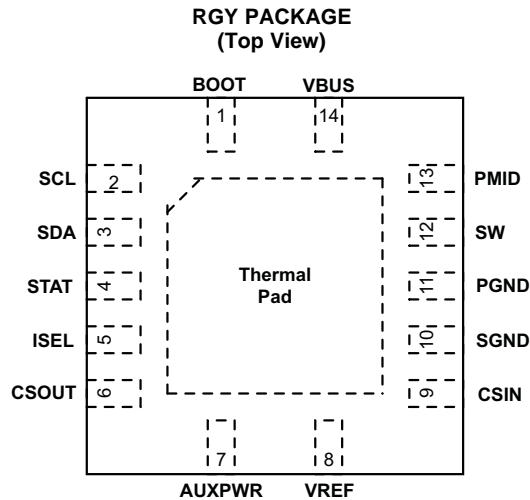


This integrated circuit can be damaged by ESD. Texas Instruments recommends that all integrated circuits be handled with appropriate precautions. Failure to observe proper handling and installation procedures can cause damage.

ESD damage can range from subtle performance degradation to complete device failure. Precision integrated circuits may be more susceptible to damage because very small parametric changes could cause the device not to meet its published specifications.

DESCRIPTION CONTINUED

During the charging process, the bq24155 monitors its junction temperature (T_J) and reduces the charge current once T_J increases to approximately 125°C. The bq24155 is available in 14-pin QFN package.



TERMINAL FUNCTIONS

| TERMINAL | | I/O | DESCRIPTION |
|-------------|-----|-----|---|
| NAME | NO. | | |
| CSOUT | 6 | I | Battery voltage and current sense input. Bypass it with a ceramic capacitor (minimum 0.1 μ F) to PGND if there are long inductive leads to battery. |
| VBUS | 14 | I | Charger input voltage. Bypass it with a 1- μ F ceramic capacitor from VBUS to PGND. |
| PMID | 13 | O | Connection point between reverse blocking FET and high-side switching FET. Bypass it with a minimum of 3.3- μ F capacitor from PMID to PGND. |
| SW | 12 | O | Internal switch to output inductor connection. |
| BOOT | 1 | O | Bootstrap capacitor connection for the high-side FET gate driver. Connect a 10-nF ceramic capacitor (voltage rating above 10 V) from BOOT pin to SW pin. |
| PGND | 11 | | Power ground |
| CSIN | 9 | I | Charge current-sense input. Battery current is sensed across an external sense resistor. A 0.1- μ F ceramic capacitor to PGND is required. |
| SCL | 2 | I | I ² C interface clock. Open drain output, connect a 10-k Ω pullup resistor to 1.8V rail |
| SDA | 3 | I/O | I ² C interface data. Open drain output, connect a 10-k Ω pullup resistor to 1.8V rail |
| STAT | 4 | O | Charge status pin. Pull low when charge in progress. Open drain for other conditions. During faults, a 128 μ S pulse is sent out. STAT pin can be disabled by the EN_STAT bit in control register. STAT can be used to drive a LED or communicate with a host processor. |
| VREF | 8 | O | Internal bias regulator voltage. Connect a 1- μ F ceramic capacitor from this output to PGND. External load on VREF is not allowed. |
| AUXPWR | 7 | I | Auxiliary power supply, connected to the battery pack to provide power in high-impedance mode. Bypass it with a 1- μ F ceramic capacitor from this pin to PGND. |
| ISEL | 5 | I | Input current limiting selection pin. In 32 minutes mode, the ISEL pin is default to be used as the input current limiting selection pin. When ISEL = High, I_{in} – limit = 500 mA and when ISEL = Low, I_{in} – limit = 100 mA, see the Control Register for details. |
| SGND | 10 | - | Signal ground |
| Thermal pad | pad | - | There is an internal electrical connection between the exposed thermal pad and the PGND pin of the device. The thermal pad must be connected to the same potential as the PGND pin on the printed circuit board. Do not use the thermal pad as the primary ground input for the device. PGND/SGND must be connected to ground at all times. |

ORDERING INFORMATION⁽¹⁾

| Part NO. | MARKING | MEDIUM | QUANTITY |
|-------------|---------|---------------|----------|
| bq24155RGYR | bq24155 | Tape and Reel | 3000 |
| bq24155RGYT | bq24155 | Tape and Reel | 250 |

- (1) For the most current package and ordering information, see the Package Option Addendum at the end of this document, or see the TI website at www.ti.com.

DISSIPATION RATINGS⁽¹⁾

| PACKAGE | R _{θJA} | R _{θJC} | T _A ≤ 25°C POWER RATING | DERATING FACTOR T _A > 25°C |
|-----------------------|-----------------------|------------------|---------------------------------------|--|
| QFN-14 ⁽¹⁾ | 55°C/W ⁽²⁾ | 15°C/W | 1.82 W | 0.018 W/°C |

- (1) Maximum power dissipation is a function of T_{J(max)}, R_{θJA} and T_A. The maximum allowable power dissipation at any allowable ambient temperature is P_D = [T_{J(max)} - T_A] / R_{θJA}.
- (2) This data is based on using a JEDEC High-K 4-layer board and the exposed die pad is connected to a Cu pad on the board. The pad is connected to the ground plane by a via matrix.

ABSOLUTE MAXIMUM RATINGS^{(1) (2)}

over operating free-air temperature range (unless otherwise noted)

| | | | VALUE | UNIT |
|------------------|--|-------------------------------------|---------------------------|------|
| V _{SS} | Supply voltage range (with respect to PGND) | VBUS | -0.3 to 20 ⁽³⁾ | V |
| V _I | Input voltage range (with respect to and PGND) | SCL, SDA, ISEL, CSIN, CSOUT, AUXPWR | -0.3 to 7 | V |
| V _O | Output voltage range (with respect to and PGND) | PMID, STAT | -0.3 to 20 | V |
| | | VREF | 6.5 | V |
| | | SW, BOOT | -0.7 to 20 | V |
| | Voltage difference between CSIN and CSOUT inputs (V _(CSIN) - V _(CSOUT)) | | ±7 | V |
| | Voltage difference between BOOT and SW inputs (V _(BOOT) - V _(SW)) | | -0.3 to 7 | V |
| | Output sink | STAT | 10 | mA |
| I _O | Output current (average) | SW | 1.25 | A |
| T _A | Operating free-air temperature range | | -40 to 85 | °C |
| T _J | Junction temperature | | -40 to 150 | °C |
| T _{stg} | Storage temperature | | -65 to 150 | °C |

- (1) Stresses beyond those listed under *absolute maximum ratings* may cause permanent damage to the device. These are stress ratings only, and functional operation of the device at these or any other conditions beyond those indicated under *recommended operating conditions* is not implied. Exposure to absolute-maximum-rated conditions for extended periods may affect device reliability. All voltage values are with respect to the network ground terminal unless otherwise noted.
- (2) All voltages are with respect to PGND if not specified. Currents are positive into, negative out of the specified terminal.
- (3) The bq24155 family can withstand up to 10.6 V continuously and 20 V for a minimum of 432 hours.

RECOMMENDED OPERATING CONDITIONS

| | | MIN | NOM | MAX | UNIT |
|------------------|--------------------------------------|-----|-----|------------------|------|
| V _{BUS} | Supply voltage, VBUS | 4 | | 6 ⁽¹⁾ | V |
| T _J | Operating junction temperature range | 0 | | +125 | °C |

- (1) The inherent switching noise voltage spikes should not exceed the absolute maximum rating on either the BOOT or SW pins. A tight layout minimizes switching noise.

ELECTRICAL CHARACTERISTICS

Circuit of Figure 1, VBUS = 5 V, HZ_MODE = 0, OPA_MODE = 0 (charger mode operation), T_J = 0°C to 125°C, T_J = 25°C for typical values (unless otherwise noted)

| PARAMETER | | TEST CONDITIONS | MIN | TYP | MAX | UNIT | |
|---|---|--|--------------------------|-----|------|------|----|
| INPUT CURRENTS | | | | | | | |
| I _(VBUS) | VBUS supply current control | VBUS > VBUS(min), PWM switching | | 10 | | mA | |
| | | VBUS > VBUS(min), PWM NOT switching | | | 5 | | |
| | | 0°C < T _J < 85°C, VBUS = 5 V, HZ_MODE = 1, V _(AUXPWR) > V _(LOWV) , SCL, SDA, ISEL = 0 V or 1.8 V | | | | 20 | μA |
| | | 0°C < T _J < 85°C, VBUS = 5 V, HZ_MODE = 1, V _(AUXPWR) < V _(LOWV) , 32 S mode, SCL, SDA, ISEL = 0 V or 1.8 V | | | | 35 | |
| I _{ikg} | Leakage current from battery to VBUS pin | 0°C < T _J < 85°C, V _(AUXPWR) = 4.2 V, High impedance mode | | | 5 | μA | |
| | Battery discharge current in High Impedance mode, (CSIN, CSOUT, AUXPWR, SW pins) | 0°C < T _J < 85°C, V _(AUXPWR) = 4.2 V, High impedance mode, VBUS = 0 V, SCL, SDA, ISEL = 0 V or 1.8 V | | | 20 | μA | |
| VOLTAGE REGULATION | | | | | | | |
| V _(OREG) | Output charge voltage | Operating in voltage regulation, programmable | 3.5 | | 4.44 | V | |
| | Voltage regulation accuracy | T _A = 25°C | -0.5% | | 0.5% | | |
| | | | -1% | | 1% | | |
| CURRENT REGULATION (FAST CHARGE) | | | | | | | |
| I _{O(CHARGE)} | Output charge current programmable range | V _(LOWV) ≤ V _(AUXPWR) < V _(OREG) , VBUS > V _(SLP) , R _(SNS) = 68 mΩ Programmable | 550 | | 1250 | mA | |
| | Regulation accuracy for charge current across R _(SNS) V _(IREG) = I _{O(CHARGE)} × R _(SNS) | 20 mV ≤ V _(IREG) ≤ 40 mV | -5% | | 5% | | |
| | | 40 mV < V _(IREG) | -3% | | 3% | | |
| WEAK BATTERY DETECTION | | | | | | | |
| V _(LOWV) | Weak battery voltage threshold programmable range | Programmable | 3.4 | | 3.7 | V | |
| | Weak battery voltage accuracy | | -5% | | 5% | | |
| | Hysteresis for V _(LOWV) | Battery voltage falling | | 100 | | mV | |
| | Deglitch time for weak battery threshold | Rising voltage, 2 mV overdrive, t _{RISE} = 100 ns | | 30 | | ms | |
| ISEL PIN LOGIC LEVEL | | | | | | | |
| V _{IL} | Input low threshold level | | | | 0.4 | V | |
| V _{IH} | Input high threshold level | | 1.3 | | | V | |
| CHARGE TERMINATION DETECTION | | | | | | | |
| I _(TERM) | Termination charge current programmable range | V _(AUXPWR) > V _(OREG) - V _(RCH) , VBUS > V _(SLP) , R _(SNS) = 68 mΩ Programmable | 50 | | 400 | mA | |
| | Deglitch time for charge termination | Both rising and falling, 2 mV overdrive, t _{RISE} , t _{FALL} = 100 ns | | 30 | | ms | |
| | Voltage regulation accuracy for termination current across R _(SNS) V _(IREG_TERM) = I _{O(TERM)} × R _(SNS) | 3.4 mV ≤ V _(IREG_TERM) < 6.8 mV | -25% | | 25% | | |
| | | 6.8 mV ≤ V _(IREG_TERM) < 13.6 mV | -10% | | 10% | | |
| | | 13.6 mV ≤ V _(IREG_TERM) ≤ 27.2 mV | -5% | | 5% | | |
| INPUT POWER SOURCE DETECTION | | | | | | | |
| V _{IN(min)} | Input voltage lower limit | Input power source detection, Input voltage falling | 3.6 | 3.8 | 4 | V | |
| | Deglitch time for VBUS rising above V _{IN(min)} | Rising voltage, 2 mV overdrive, t _{RISE} = 100 ns | | 30 | | ms | |
| | Hysteresis for V _{IN(min)} | Input voltage rising | 100 | | 200 | mV | |
| t _{INT} | Detection Interval | Input power source detection | | 2 | | S | |
| INPUT CURRENT LIMITING | | | | | | | |
| I _{IN} | Input current limiting threshold | USB charge mode | I _{IN} = 100 mA | 88 | 93 | 98 | mA |
| | | | I _{IN} = 500 mA | 450 | 475 | 500 | |
| VREF BIAS REGULATOR | | | | | | | |
| V _{REF} | Internal bias regulator voltage | VBUS > V _{IN(min)} or V _(AUXPWR) > V _{(BAT)min} , I(VREF) = 1 mA, C(VREF) = 1 μF | 2 | | 6.5 | V | |

ELECTRICAL CHARACTERISTICS (continued)

Circuit of Figure 1, V_{BUS} = 5 V, HZ_MODE = 0, OPA_MODE = 0 (charger mode operation), T_J = 0°C to 125°C, T_J = 25°C for typical values (unless otherwise noted)

| PARAMETER | | TEST CONDITIONS | MIN | TYP | MAX | UNIT |
|--|--|--|------|-------|------|----------------------|
| V _{REF} output short current limit | | | | 30 | | mA |
| BATTERY RECHARGE THRESHOLD | | | | | | |
| V _(RCH) | Recharge threshold voltage | Below V _(OREG) | 100 | 120 | 150 | mV |
| Deglitch time | | V _(AUXPWR) decreasing below threshold, t _{FALL} = 100ns, 10 mV overdrive | | 130 | | ms |
| STAT OUTPUTS | | | | | | |
| V _{OL(STAT)} | Low-level output saturation voltage, STAT | I _O = 10 mA, sink current | | | 0.4 | V |
| | High-level leakage current for STAT | Voltage on STAT pin is 5 V | | | 1 | μA |
| I²C BUS LOGIC LEVELS AND TIMING CHARACTERISTICS | | | | | | |
| V _{OL} | Output low threshold level | I _O = 10 mA, sink current | | | 0.4 | V |
| V _{IL} | Input low threshold level | | | | 0.4 | V |
| V _{IH} | Input high threshold level | | 1.2 | | | V |
| I _(BIAS) | Input bias current | V _(pull-up) = 1.8 V, SDA and SCL | | | 1 | μA |
| f _(SCL) | SCL clock frequency | | | | 3.4 | MHz |
| BATTERY DETECTION | | | | | | |
| I _(DETECT) | Battery detection current before charge done (sink current) ⁽¹⁾ | Begins after termination detected, V _(AUXPWR) ≤ V _(OREG) | | -0.45 | | mA |
| | Battery detection time | | | 262 | | ms |
| SLEEP COMPARATOR | | | | | | |
| V _(SLP) | Sleep-mode entry threshold, V _{BUS} - V _{AUXPWR} | 2.3 V ≤ V _(AUXPWR) ≤ V _(OREG) , V _{BUS} falling | 0 | 40 | 100 | mV |
| V _(SLP_EXIT) | Sleep-mode exit hysteresis | 2.3 V ≤ V _(AUXPWR) ≤ V _(OREG) | 40 | 100 | 160 | mV |
| | Deglitch time for V _{BUS} rising above V _(SLP) + V _(SLP_EXIT) | Rising voltage, 2-mV overdrive, t _{RISE} = 100ns | | 30 | | ms |
| UNDERVOLTAGE LOCKOUT | | | | | | |
| UVLO | IC active threshold voltage | V _{BUS} rising | 3.05 | 3.3 | 3.55 | V |
| UVLO _(HYS) | IC active hysteresis | V _{BUS} falling from above UVLO | 120 | 150 | | mV |
| PWM | | | | | | |
| Voltage from BOOT pin to SW pin | | During charge or boost operation | | | 6.5 | V |
| Internal top reverse blocking FET on-resistance | | I _{IN(LIMIT)} = 500 mA, Measured from V _{BUS} to PMID | | 180 | 250 | mΩ |
| Internal top N-channel Switching FET on-resistance | | Measured from PMID to SW, V _{BOOT} - V _{SW} = 4 V | | 120 | 250 | |
| Internal bottom N-channel FET on-resistance | | Measured from SW to PGND | | 110 | 200 | |
| f _(OSC) | Oscillator frequency | | | 3 | | MHz |
| Frequency accuracy | | | -10% | | 10% | |
| D _(MAX) | Maximum duty cycle | | | 99.5% | | |
| D _(MIN) | Minimum duty cycle | | 0 | | | |
| Synchronous mode to non-synchronous mode transition current threshold ⁽²⁾ | | Low side FET cycle by cycle current sensing | | 100 | | mA |
| CHARGE MODE PROTECTION | | | | | | |
| V _(OVP-IN) | Input V _{BUS} OVP threshold voltage | Threshold over V _{BUS} to turn off converter during charge | 6.3 | 6.5 | 6.7 | V |
| | V _(OVP-IN) hysteresis | V _{BUS} falling from above V _(OVP-IN) | | 140 | | mV |
| V _(OVP) | Output OVP threshold voltage | V _(CSOUT) threshold over V _(OREG) to turn off charger during charge | 110 | 117 | 121 | %V _(OREG) |
| | V _(OVP) hysteresis | Lower limit for V _(CSOUT) falling from above V _(OVP) | | 11 | | |

(1) Negative charge current means the charge current flows from the battery to charger (discharging battery).

(2) Bottom N-channel FET always turns on for X60 ns and then turns off if current is too low.

ELECTRICAL CHARACTERISTICS (continued)

Circuit of Figure 1, VBUS = 5 V, HZ_MODE = 0, OPA_MODE = 0 (charger mode operation), T_J = 0°C to 125°C, T_J = 25°C for typical values (unless otherwise noted)

| PARAMETER | TEST CONDITIONS | MIN | TYP | MAX | UNIT |
|-----------------------|--|--|-----|-----|------|
| I _(LIMIT) | Cycle-by-cycle current limit for charge Charge mode operation | 1.5 | 2.3 | 3 | A |
| V _(SHORT) | Short-circuit voltage threshold | V _(AUXPWR) falling | 2 | 2.1 | V |
| | V _(SHORT) hysteresis | V _(AUXPWR) rising from below V _(SHORT) | 100 | | mV |
| I _(SHORT) | Short-circuit current | 5 | 10 | 15 | mA |
| PROTECTION | | | | | |
| T _(SHTDWN) | Thermal trip | | 165 | | °C |
| | Thermal hysteresis | | 10 | | |
| T _(CF) | Thermal regulation threshold ⁽³⁾ | Charge current begins to reduce | 120 | | |
| T _(32S) | Time constant for the 32 second timer | 32 Second mode | 12 | 32 | s |

(3) Verified by design

TYPICAL APPLICATION CIRCUITS

VBUS = 5 V, I_(CHARGE) = 1250 mA, VBAT = 3.5 V to 4.44 V (adjustable), Safety Timer = 32 minutes or 32 seconds.

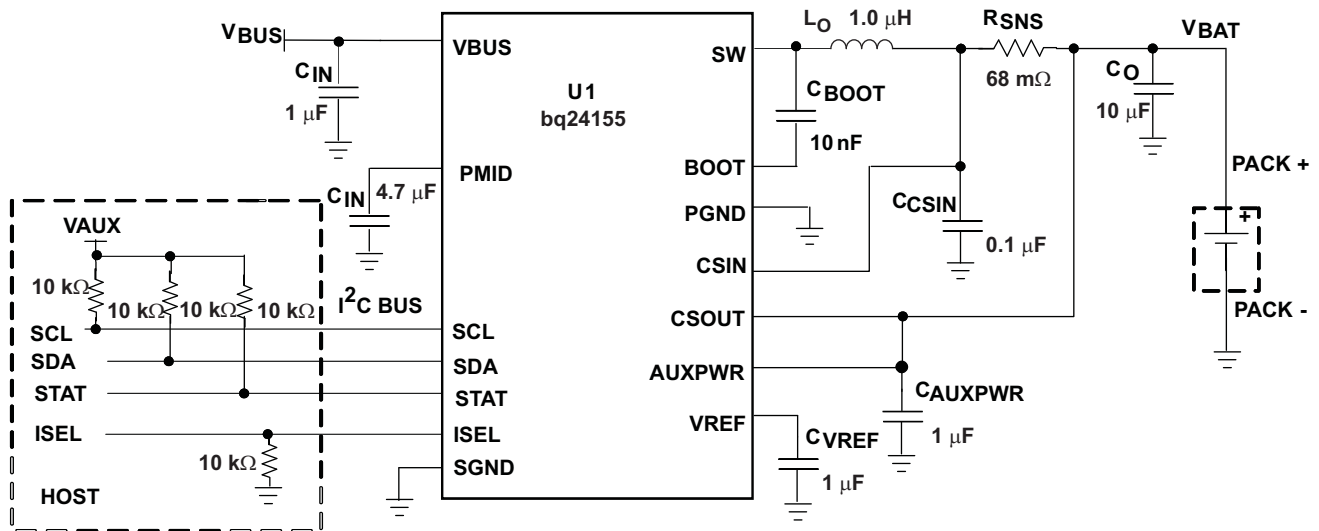


Figure 1. I²C Controlled 1-Cell Charger Application Circuit

VBUS = 5 V, I_(IN_LIMIT) = 500 mA, V_{OUT} = 3.5 V to 4.44 V (adjustable), Safety Timer = 32 minutes or 32 seconds.

TYPICAL APPLICATION CIRCUITS (continued)

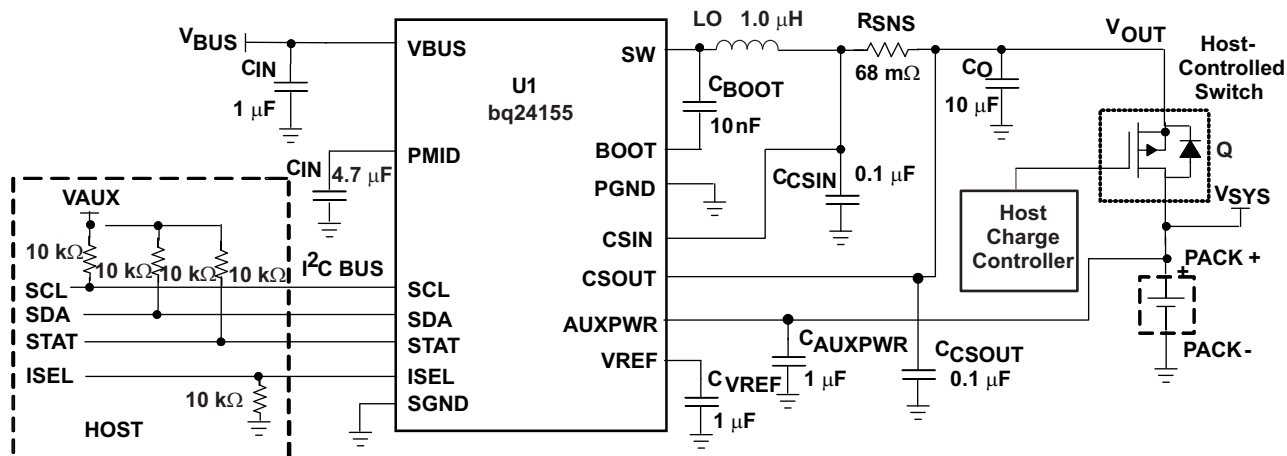


Figure 2. I²C Controlled 1-Cell Pre-Regulator Application

TYPICAL CHARACTERISTICS

Using circuit shown in Figure 1, T_A = 25°C, unless otherwise specified.

ADAPTER INSERTION

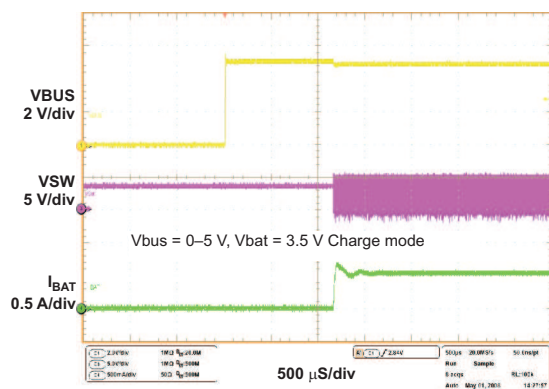


Figure 3.

BATTERY INSERTION/REMOVAL

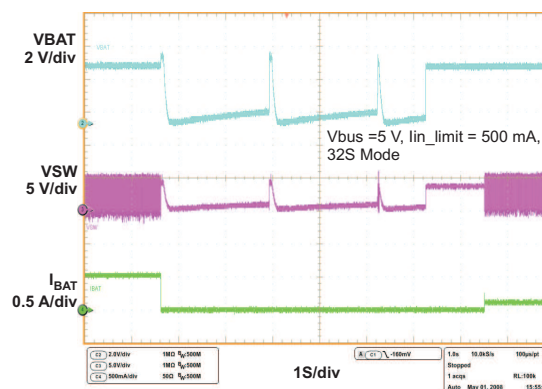


Figure 4.

PWM CHARGING WAVEFORMS

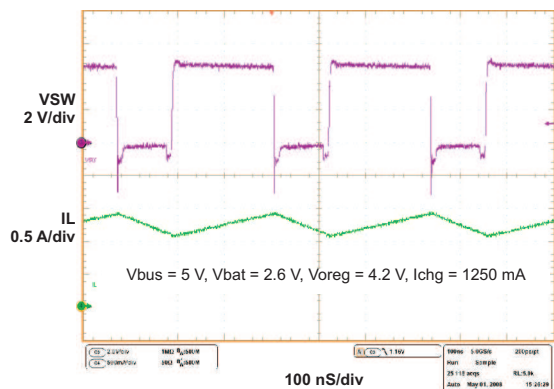


Figure 5.

POOR SOURCE DETECTION

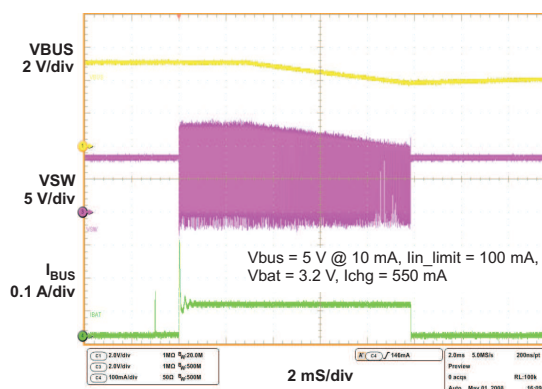


Figure 6.

TYPICAL CHARACTERISTICS (continued)

BATTERY DETECTION AT POWER UP

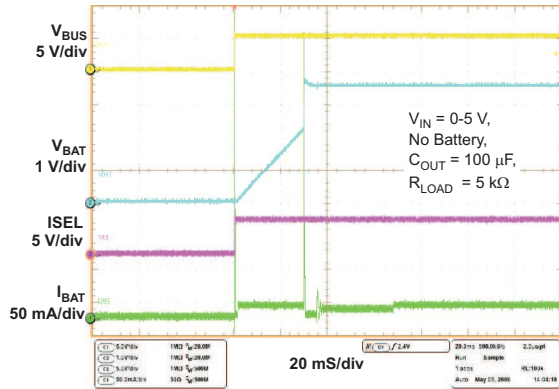


Figure 7.

CYCLE BY CYCLE CURRENT LIMIT IN CHARGE MODE

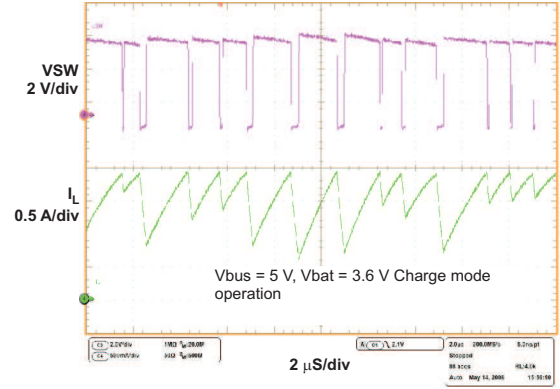


Figure 8.

INPUT CURRENT CONTROL

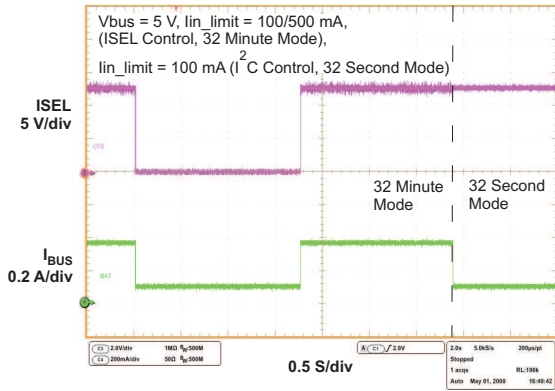


Figure 9.

CHARGER EFFICIENCY

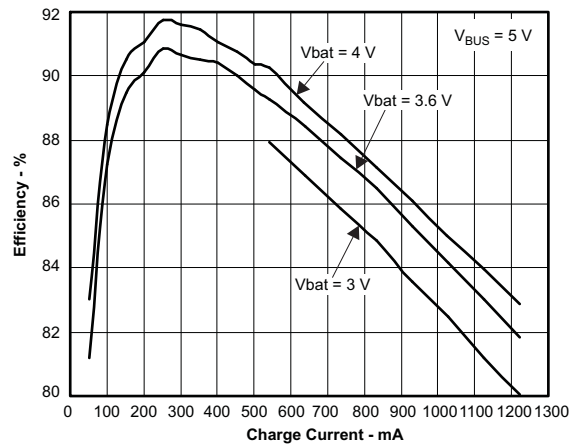


Figure 10.

FUNCTIONAL BLOCK DIAGRAM (Charge Mode)

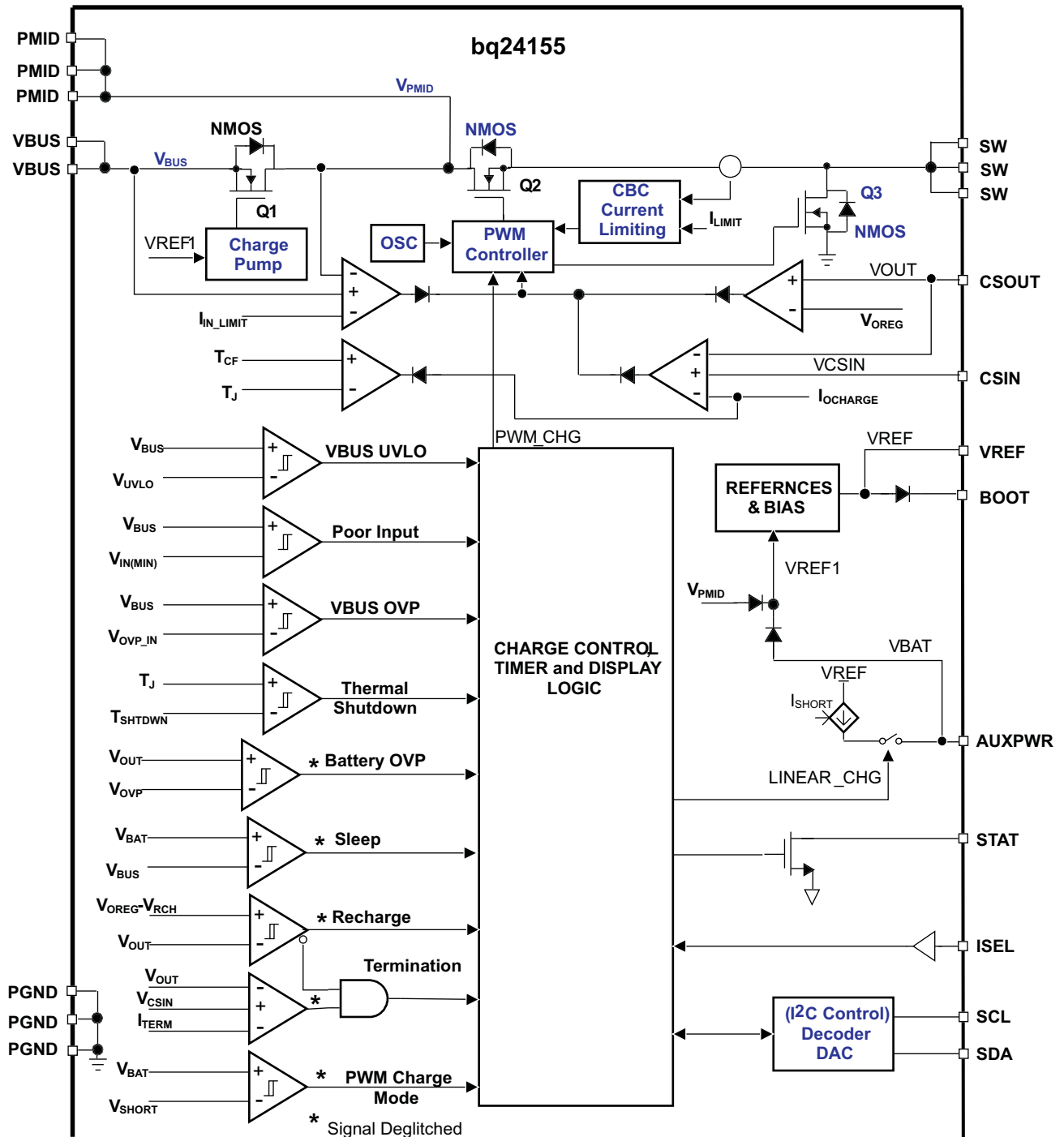


Figure 11. Function Block Diagram of bq24155 in Charge Mode

OPERATIONAL FLOW CHART

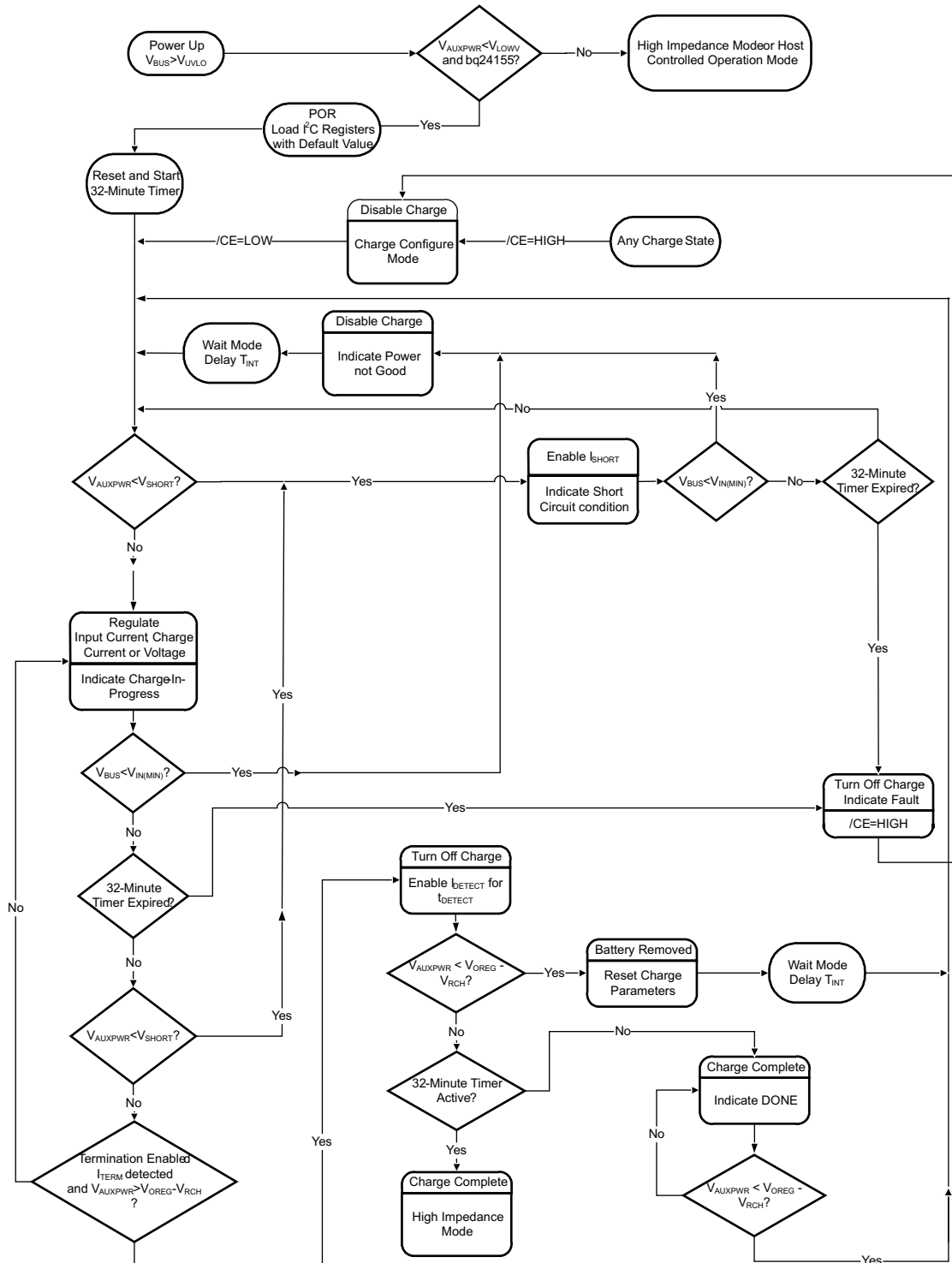


Figure 12. Operational Flow Chart of bq24155 in Charge Mode

DETAILED FUNCTIONAL DESCRIPTION

For a current limited power source, such as a USB host or hub, a high efficiency converter is critical to fully use the input power capacity for quickly charging the battery. Due to the high efficiency for a wide range of input voltages and battery voltages, the switch mode charger is a good choice for high speed charging with less power loss and better thermal management than a linear charger.

The bq24155 is a highly integrated synchronous switch-mode charger, featuring integrated FETs and small external components, targeted at extremely space-limited portable applications powered by 1-cell Li-Ion or Li-polymer battery pack.

The bq24155 has two operation modes: charge mode and high impedance mode. In charge mode, the bq24155 supports a precision Li-ion or Li-polymer charging system for single-cell applications. In high impedance mode, the bq24155 stops charging and operates in a mode with low current from VBUS or battery, to effectively reduce the power consumption when the portable device in standby mode. Through the proper control, bq24155 achieves the smooth transition among the different operation modes.

CHARGE MODE OPERATION

Charge Profile

In charge mode, bq24155 has four control loops to regulate input current, charge current, charge voltage and device junction temperature, as shown in [Figure 11](#). During the charging process, all four loops are enabled and the one that is dominant takes control. The bq24155 supports a precision Li-ion or Li-polymer charging system for single-cell applications. [Figure 13\(a\)](#) indicates a typical charge profile without input current regulation loop. It is the traditional CC/CV charge curve, while [Figure 13\(b\)](#) shows a typical charge profile when input current limiting loop is dominant during the constant current mode. In this case, the charge current is higher than the input current so the charge process is faster than the linear chargers. For bq24155, the input current limits, the charge current, termination current, and charge voltage are all programmable using I²C interface.

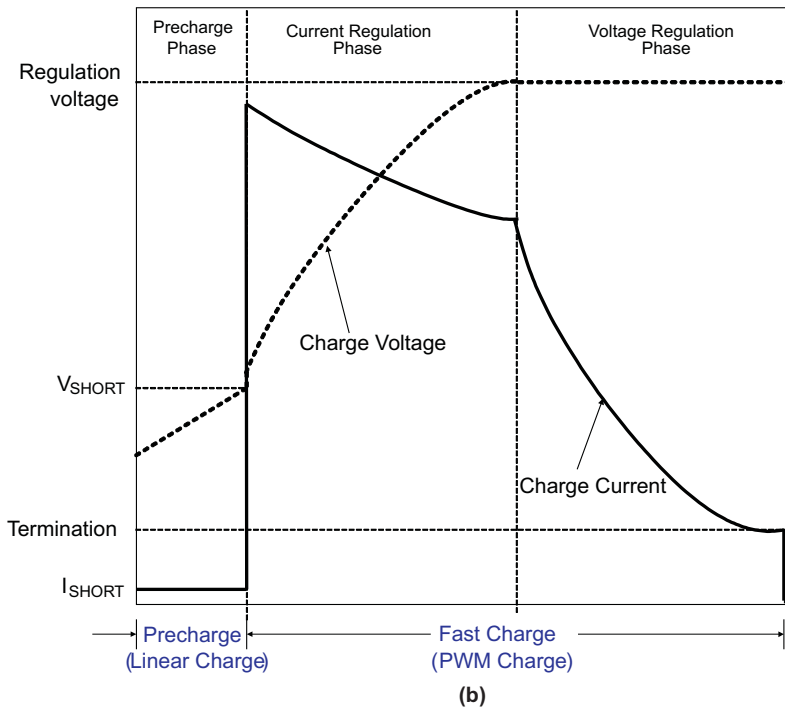
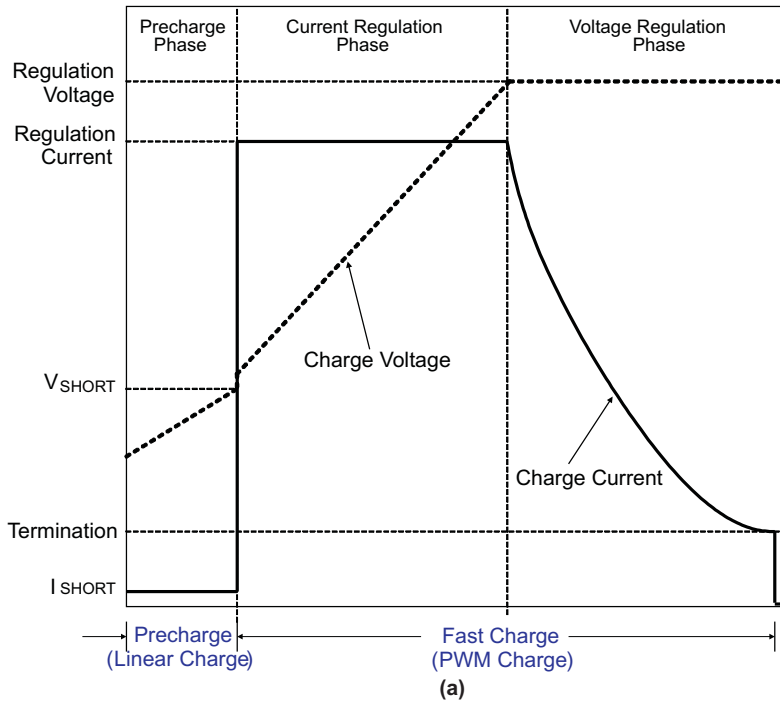


Figure 13. Typical Charging Profile of bq24155 for (a) without Input Current Limit, and (b) with Input Current Limit

PWM Controller in Charge Mode

The bq24155 provides an integrated, fixed 3-MHz frequency voltage-mode controller with Feed-Forward function to regulate charge current or voltage. This type of controller is used to improve line transient response, thereby, simplifying the compensation network used for both continuous and discontinuous current conduction operation. The voltage and current loops are internally compensated using a Type-III compensation scheme that provides enough phase margin for stable operation, allowing the use of small ceramic capacitors with low ESR. The device operates between 0% to 99.5% duty cycles.

The bq24155 has back to back common-drain N-channel FETs at the high side and one N-channel FET at low side. The input N-FET (Q1) prevents battery discharge when V_{BUS} is lower than VAUXPWR. The second high-side N-FET (Q2) is the switching control switch (see [Figure 11](#)). A charge pump circuit is used to provide gate drive for Q1, while a bootstrap circuit with an external bootstrap capacitor is used to supply the gate drive voltage for Q2.

Cycle-by-cycle current limit is sensed through the FETs Q2 and Q3. The threshold for Q2 is set to a nominal 2.3-A peak current. The low-side FET (Q3) also has a current limit that decides if the PWM Controller will operate in synchronous or non-synchronous mode. This threshold is set to 100mA and it turns off the low-side N-channel FET (Q3) before the current reverses, preventing the battery from discharging. Synchronous operation is used when the current of the low-side FET is greater than 100mA to minimize power losses.

Battery Charging Process

At the beginning of precharge, while battery voltage is below the $V_{(SHORT)}$ threshold, the bq24155 applies a short-circuit current, $I_{(SHORT)}$, to the battery.

When the battery voltage is above $V_{(SHORT)}$ and below $V_{(OREG)}$, the charge current ramps up to fast charge current, $I_{O(CHARGE)}$, or a charge current that corresponds to the input current of $I_{(IN_LIMIT)}$. The slew rate for fast charge current is controlled to minimize the current and voltage over-shoot during transient. Both the input current limit (default at 100 mA), IIN_LIMIT, and fast charge current, $I_{O(CHARGE)}$, can be set by the host. Once the battery voltage reaches the regulation voltage, $V_{(OREG)}$, the charge current is tapered down as shown in [Figure 13](#). The voltage regulation feedback occurs by monitoring the battery-pack voltage between the CSOUT and PGND pins. The regulation voltage is adjustable (3.5 V to 4.44 V) and it is programmed through I²C interface.

The bq24155 monitors the charging current during the voltage regulation phase. Once the termination threshold, ITERM, is detected and the battery voltage is above the recharge threshold, the bq24155 terminates charge. The termination current level is programmable. To disable the charge current termination, the host can set the charge termination bit (I_Term) of charge control register to 0, see the I²C section for details.

A new charge cycle is initiated when one of the following conditions is detected:

- The battery voltage falls below the $V_{(OREG)} - V_{(RCH)}$ threshold.
- V_{BUS} Power-on reset (POR), if battery voltage is below the $V_{(LOWV)}$ threshold.
- \overline{CE} bit toggle or RESET bit is set (host controlled)

Safety Timer in Charge Mode

At the beginning of charging process, the bq24155 starts a 32-minute timer (T32min) that can be stopped by any write-action performed by host through I²C interface. Once the 32-minute timer is stopped, a 32-second timer (T32sec) is automatically started. The 32-second timer can be reset by host using I²C interface. Writing "1" to reset bit of TMR_RST in control register resets the 32-second timer and TMR_RST is automatically set to "0" after the 32-second timer is reset. If the 32-second timer expires, the charge is terminated and charge parameters are reset to default values. Then the 32-minute timer starts and the charge resumes.

During normal charging process, the bq24155 is normally in 32-second mode with host control, and 32-minute mode without host control using I²C interface. The process repeats until the battery is fully charged. If the 32-minute timer expires, bq24155 turns off the charger, enunciates FAULT on the STATx bits of status register, and sends the 128μs interrupt pulse. This function prevents battery over charge if the host fails to reset the safety timer. The safety timer flow chart is shown in [Figure 14](#). Fault condition is cleared by POR and fault status bits can only be updated after the status bits are read out by the host.

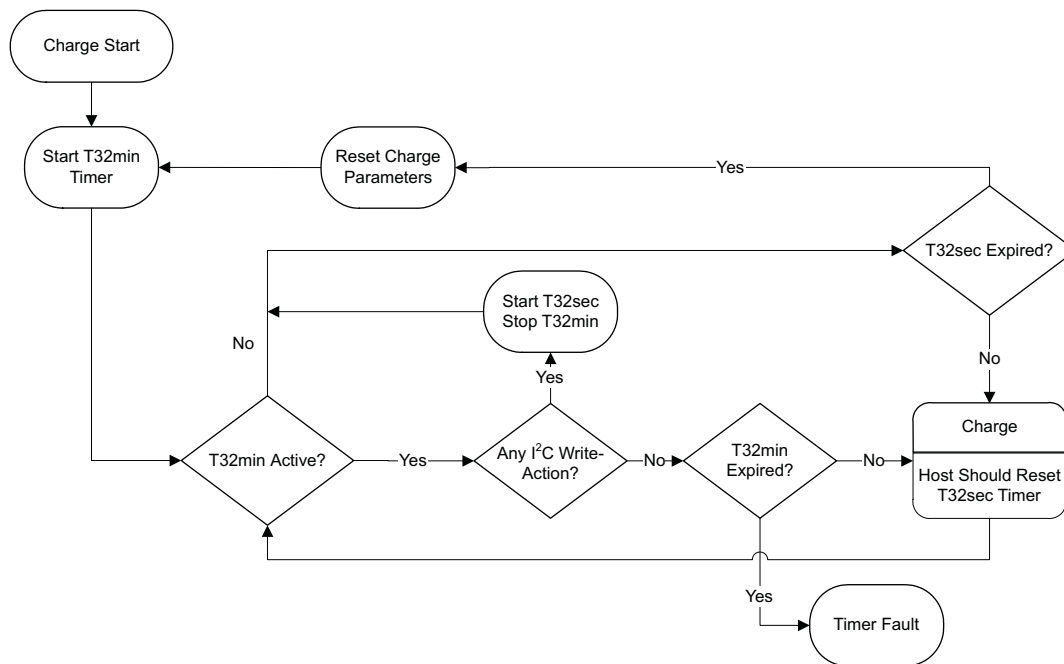


Figure 14. Timer Flow Chart for bq24155 in Charge Mode

USB Friendly Boot-Up Sequence

At power on reset (POR) of VBUS, if the battery voltage is above the weak battery threshold, V_{LOWV} , bq24155 operates in a mode dictated by the I²C control registers. On the other hand, if the battery voltage is below V_{LOWV} and the host control through I²C interface is lost (32 minute mode), bq24155 resets all I²C registers with default values and enables the charger with an input current limit dictated by the ISEL pin voltage level until the host programs the I²C registers. During this period, the input current limit is 100 mA when the voltage level of ISEL pin is Low; while the input current limit is 500 mA when the voltage level of ISEL pin is high. This feature could quickly revive a deeply discharged cell. The charge process continues after the battery is charged to the regulation voltage (default at 3.54 V) since termination is disabled by default. In another case, if the battery voltage is below V_{LOWV} but the host control using I²C interface is available (32 second mode), bq24155 operates in a mode dictated by control registers.

Input Current Limiting

To maximize the charge rate of bq24155 without overloading the USB port, the input current for bq24155 can be limited to 100mA or 500mA which is programmed in the control register or ISEL pin. Once the input current reaches the input current limiting threshold, the charge current is reduced to prevent the input current from exceeding the programmed threshold. For bq24155, the default input current limit is controlled by the ISEL pin at VBUS power on reset when $V_{(AUXPWR)}$ is lower than $V_{(LOWV)}$. The input current sensing resistor and control loop are integrated into bq24155. The input current limit can also be disabled using I²C control, see the definition of control register (01H) for details.

Thermal Regulation and Protection

To prevent overheating the chip during the charging process, the bq24155 monitors the junction temperature, T_J , of the die and begins to taper down the charge current once T_J reaches the thermal regulation threshold, T_{CF} . The charge current is reduced to zero when the junction temperature increases approximately 10°C above T_{CF} . At any state, if T_J exceeds T_{SHTDWN} , bq24155 suspends charging. At thermal shutdown mode, PWM is turned off and all timers are frozen. Charging resumes when T_J falls below T_{SHTDWN} by approximately 10°C.

Input Voltage Protection in Charge Mode

Sleep Mode

The bq24155 enters the low-power sleep mode if the voltage on VBUS pin falls below sleep-mode entry threshold, $V_{AUXPWR} + V_{SLP}$, and VBUS is still higher than the poor source detection threshold, $V_{IN(min)}$. This feature prevents draining the battery during the absence of VBUS. During sleep mode, both the reverse blocking switch Q1 and PWM are turned off.

Input Source Detection

During the charging process, bq24155 continuously monitors the input voltage, VBUS. If VBUS falls to the low input voltage threshold, $V_{IN(min)}$, poor input power source is detected. Under this condition, bq24155 terminates the charge process, waits for a delay time of T_{INT} and repeats the charging process, as indicated in [Figure 12](#). This unique function provides intelligence to bq24155 and so prevents USB power bus collapsing and oscillation when connecting to a suspended USB port, or a USB-OTG device with low current capability.

Input Overvoltage Protection

The bq24155 provides a built-in input over-voltage protection to protect the device and other components against damages if the input voltage (Voltage from VBUS to PGND) goes too high. When an input overvoltage condition is detected, bq24155 turns off the PWM converter, sets fault status bits, and sends out fault pulse in STAT pin. Once VBUS drops below the input overvoltage exit threshold, the fault is cleared and charge process resumes.

Battery Protection in Charge Mode

Output Overvoltage Protection

The bq24155 provides a built-in overvoltage protection to protect the device and other components against damage if the battery voltage goes too high, as when the battery is suddenly removed. When an overvoltage condition is detected, bq24155 turns off the PWM converter, sets fault status bits and sends out fault pulse in STAT pin. Once $V_{(CSOUT)}$ drops to the battery overvoltage exit threshold, the fault is cleared and charge process back to normal.

Battery Detection During Normal Charging

For applications with removable battery packs, the bq24155 provides a battery absent detection scheme to reliably detect insertion or removal of battery packs.

During normal charging process with host control, once the voltage at the AUXPWR pin is above the battery recharge threshold, $V_{(OREG)} - V_{(RCH)}$, and the termination charge current is detected, bq24155 turns off the charge and enables a discharge current, $I_{(DETECT)}$, for a period of t_{DETECT} , then checks the battery voltage. If the battery voltage is still above recharge threshold, the battery is present and the charge done is detected. However, if the battery voltage is below battery recharge threshold, the battery is absent. Under this condition, the charge parameters (such as input current limit) are reset to the default values and charge resumes after a delay of T_{INT} , as shown in [Figure 12](#). This function ensures that the charge parameters are reset whenever the battery is replaced.

Power Up Without Battery

When no battery is present, at VBUS power up, bq24155 will charge the output capacitor in short circuit mode (when $V_{AUXPWR} < V_{SHORT}$) or PWM mode (when $V_{AUXPWR} > V_{SHORT}$). Once the output voltage at CSOUT pin is charged to the default regulation voltage (3.54V), the voltage is kept constant until the 32-minute timer expires or the host takes over the control through I²C interface. This unique feature makes bq24155 capable of starting the system without battery.

Battery Short Protection

During the normal charging process, if the battery voltage is lower than the short-circuit threshold, $V_{(SHORT)}$, the charger operates in short circuit mode with a lower charge rate of $I_{(SHORT)}$, as shown in [Figure 13](#).

Charge Status Output, STAT Pin

The STAT pin is used to indicate operation conditions for bq24155. STAT is pulled low during charging when EN_STAT bit in control register (00H) is set to "1". Under other conditions, the STAT pin acts as a high impedance (open-drain) output. Under fault conditions, a 128- μ s pulse is sent out to notify the host. The status of STAT pin at different operation conditions is summarized in [Table 1](#). The STAT pin can be used to drive an LED or communicate to the host processor.

Table 1. STAT Pin Summary

| CHARGE STATE | STAT |
|--|-------------------------------------|
| Charge in progress and EN_STAT = 1 | Low |
| Other normal conditions | Open-drain |
| Charge mode faults: Timer fault, sleep mode, VBUS or battery overvoltage, poor input source, VBUS UVLO, no battery, thermal shutdown | 128- μ s pulse, then open-drain |

Control Bits in Charge Mode

\overline{CE} Bit (Charge Mode)

The bit of \overline{CE} in control register is used to disable or enable the charge process. A low logic level (0) on this bit enables the charge and a high logic level (1) disables the charge.

RESET Bit

The bit of RESET in control register is used to reset all the charge parameters. Writing '1' to RESET bit resets all the charge parameters to default values and RESET bit is automatically cleared to zero once the charge parameters are reset. It is designed for charge parameter reset before charge starts, and it is not recommended to set the RESET bit when charging or boosting in progress.

OPA_Mode Bit

OPA_MODE is the operation mode control bit. When OPA_MODE = 0, the bq24155 operates as a charger if HZ_MODE is set to "0", refer to [Table 2](#) for detail.

Table 2. Operation Mode Summary

| OPA_MODE | HZ_MODE | OPERATION MODE |
|----------|---------|---|
| 0 | 0 | Charge (no fault) Charge configure (fault, $V_{bus} > V_{UVLO}$) High impedance ($V_{bus} < V_{UVLO}$) |
| 1 | 0 | NA |
| X | 1 | High impedance |

High Impedance Mode

When control bit of HZ-MODE is set to "1", the bq24155 operates in high impedance mode, with the impedance in VBUS pin higher than 165 k Ω . In high impedance mode, a crude 32-second timer is enabled when the battery voltage is below $V_{(LOWV)}$ to monitor the host control is available or not. If the crude 32 second timer expires, the bq24155 operates in 32 minute mode and the crude 32 second timer is disabled. In 32 minute mode, when VBUS is below UVLO, the bq24155 operates in high impedance mode regardless of the setting of the HZ_MODE bit.

Output Inductor and Capacitance Selection Guidelines

The bq24155 provides internal loop compensation. With this scheme, the best stability occurs when the LC resonant frequency, f_o , is approximately 40 kHz (20 kHz to 80 kHz). [Equation 1](#) is used to calculate the value of the output inductor, L_{OUT} , and output capacitor, C_{OUT} .

$$f_o = \frac{1}{2\pi \times \sqrt{L_{OUT} \times C_{OUT}}} \quad (1)$$

To reduce the output voltage ripple, a ceramic capacitor with the capacitance between 4.7 μF and 47 μF is recommended for C_{OUT} , see the application section for components selection.

Pre-Regulator Application

Figure 2 shows a typical pre-regulator application that the bq24155 operates as a DC/DC converter, with the termination disabled. In this application, the host charge controller controls switch Q to achieve pulse-charging function, and bq24155 converts the input voltage to the lower output voltage (V_{OREG}). The robust internal compensation design ensures the stable operation when the host-controlled switch Q is turned off. With the input overvoltage protection, output current regulation and high efficiency power conversion, the bq24155 is an ideal choice for pre-regulator used in pulse charging applications.

SERIAL INTERFACE DESCRIPTION

I²C™ is a 2-wire serial interface developed by Philips Semiconductor (see I²C-Bus Specification, Version 2.1, January 2000). The bus consists of a data line (SDA) and a clock line (SCL) with pull-up structures. When the bus is idle, both SDA and SCL lines are pulled high. All the I²C compatible devices connect to the I²C bus through open drain I/O pins, SDA and SCL. A master device, usually a microcontroller or a digital signal processor, controls the bus. The master is responsible for generating the SCL signal and device addresses. The master also generates specific conditions that indicate the START and STOP of data transfer. A slave device receives and/or transmits data on the bus under control of the master device.

The bq24155 device works as a slave and is compatible with the following data transfer modes, as defined in the I²C-Bus™ Specification: standard mode (100 kbps), fast mode (400 kbps), and high-speed mode (up to 3.4 Mbps in write mode). The interface adds flexibility to the battery charge solution, enabling most functions to be programmed to new values depending on the instantaneous application requirements. Register contents remain intact as long as supply voltage remains above 2.2 V (typical). I²C is asynchronous, which means that it runs off of SCL. The device has no noise or glitch filtering on SCL, so SCL input needs to be clean. Therefore, it is recommended that SDA changes while SCL is LOW.

The data transfer protocol for standard and fast modes is exactly the same; therefore, they are referred to as the F/S-mode in this document. The protocol for high-speed mode is different from the F/S-mode, and it is referred to as the HS-mode. The bq24155 device only supports 7-bit addressing. The device 7-bit address is defined as '1101011' (6BH).

F/S Mode Protocol

The master initiates data transfer by generating a start condition. The start condition is when a high-to-low transition occurs on the SDA line while SCL is high, as shown in Figure 15. All I²C-compatible devices should recognize a start condition.

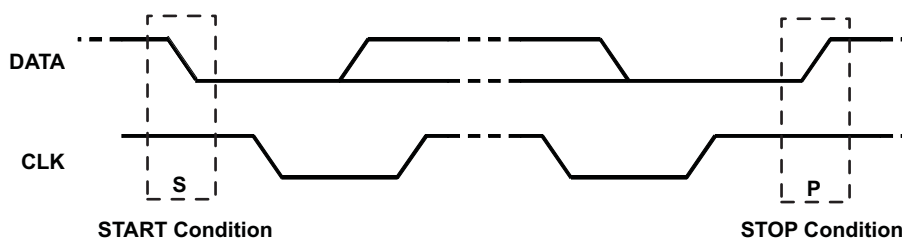


Figure 15. START and STOP Condition

The master then generates the SCL pulses, and transmits the 8-bit address and the read/write direction bit R/W on the SDA line. During all transmissions, the master ensures that data is valid. A valid data condition requires the SDA line to be stable during the entire high period of the clock pulse (see Figure 16). All devices recognize the address sent by the master and compare it to their internal fixed addresses. Only the slave device with a matching address generates an acknowledge (see Figure 16) by pulling the SDA line low during the entire high period of the ninth SCL cycle. Upon detecting this acknowledge, the master knows that communication link with a slave has been established.

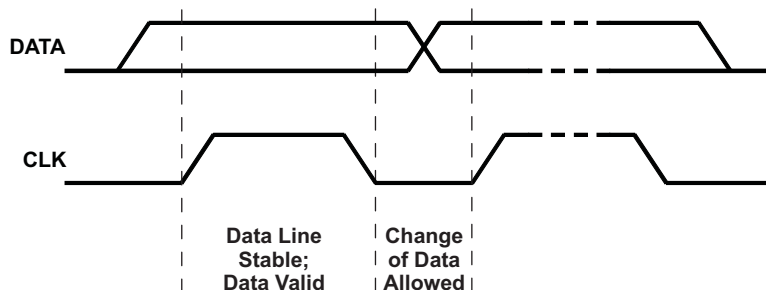


Figure 16. Bit Transfer on the Serial Interface

The master generates further SCL cycles to either transmit data to the slave (R/W bit 1) or receive data from the slave (R/W bit 0). In either case, the receiver needs to acknowledge the data sent by the transmitter. So an acknowledge signal can either be generated by the master or by the slave, depending on which one is the receiver. The 9-bit valid data sequences consisting of 8-bit data and 1-bit acknowledge can continue as long as necessary. To signal the end of the data transfer, the master generates a stop condition by pulling the SDA line from low to high while the SCL line is high (see Figure 18). This releases the bus and stops the communication link with the addressed slave. All I²C compatible devices must recognize the stop condition. Upon the receipt of a stop condition, all devices know that the bus is released, and wait for a start condition followed by a matching address. If a transaction is terminated prematurely, the master needs sending a STOP condition to prevent the slave I²C logic from remaining in a bad state. Attempting to read data from register addresses not listed in this section will result in FFh being read out.

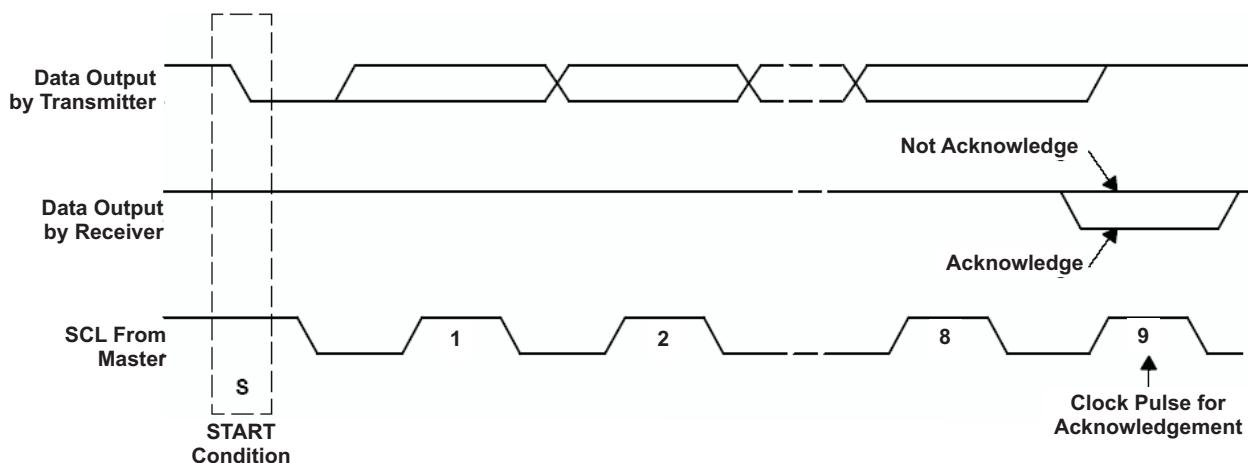


Figure 17. Acknowledge on the I²C Bus™

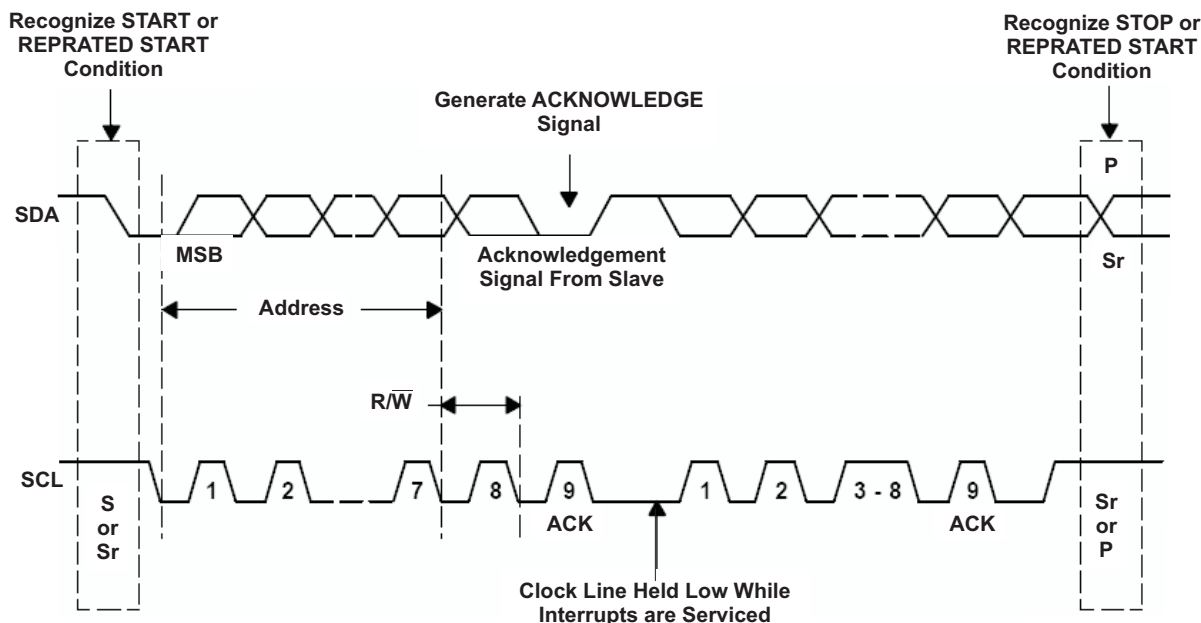


Figure 18. Bus Protocol

H/S Mode Protocol

When the bus is idle, both SDA and SCL lines are pulled high by the pull-up devices.

The master generates a start condition followed by a valid serial byte containing HS master code '00001XXX'. This transmission is made in F/S mode at no more than 400 Kbps. No device is allowed to acknowledge the HS master code, but all devices must recognize it and switch their internal setting to support 3.4-Mbps operation

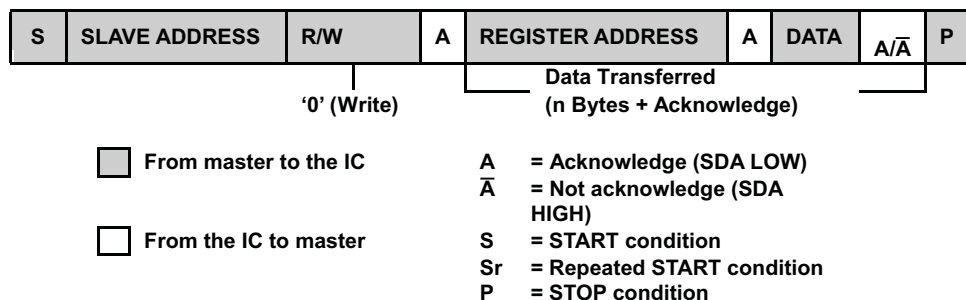
The master then generates a repeated start condition (a repeated start condition has the same timing as the start condition). After this repeated start condition, the protocol is the same as F/S mode, except that transmission speeds up to 3.4 Mbps are allowed. A stop condition ends the HS mode and switches all the internal settings of the slave devices to support the F/S mode. Instead of using a stop condition, repeated start conditions should be used to secure the bus in HS mode. If a transaction is terminated prematurely, the master needs sending a STOP condition to prevent the slave I²C logic from remaining in a bad state.

Attempting to read data from register addresses not listed in this section results in FFh being read out.

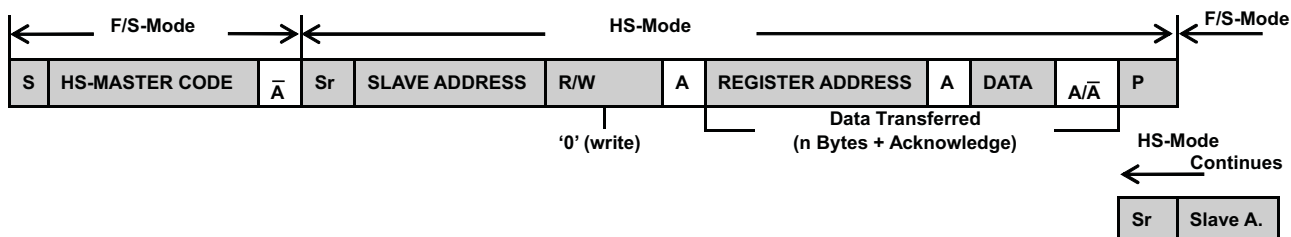
bq24155 I²C Update Sequence

The bq24155 requires a start condition, a valid I²C address, a register address byte, and a data byte for a single update. After the receipt of each byte, bq24155 device acknowledges by pulling the SDA line low during the high period of a single clock pulse. A valid I²C address selects the bq24155. The bq24155 performs an update on the falling edge of the acknowledge signal that follows the LSB byte.

For the first update, bq24155 requires a start condition, a valid I²C address, a register address byte, a data byte. For all consecutive updates, bq24155 needs a register address byte, and a data byte. Once a stop condition is received, the bq24155 releases the I²C bus, and awaits a new start conditions.



(a) F/S-Mode



(b) HS-Mode

Figure 19. Data Transfer Format in F/S Mode and H/S Mode

Slave Address Byte

| | | | | | | | | |
|-----|---|---|---|---|---|---|---|-----|
| MSB | | | | | | | | LSB |
| X | 1 | 1 | 0 | 1 | 0 | 1 | 1 | |

The slave address byte is the first byte received following the START condition from the master device. The address bits are factory preset to '1101011'.

Register Address Byte

| | | | | | | | | |
|-----|---|---|---|---|----|----|----|-----|
| MSB | | | | | | | | LSB |
| 0 | 0 | 0 | 0 | 0 | D2 | D1 | D0 | |

Following the successful acknowledgment of the slave address, the bus master will send a byte to the bq24155, which contains the address of the register to be accessed. The bq24155 contains five 8-bit registers accessible via a bidirectional I²C-bus interface. Among them, four internal registers have read and write access; and one has only read access.

REGISTER DESCRIPTION

Table 3. Status/Control Register (Read/Write)
Memory Location: 00, Reset State: x1xx 0xxx

| BIT | NAME | READ/WRITE | FUNCTION |
|----------|--------------|------------|--|
| B7 (MSB) | TMR_RST/ISEL | Read/Write | Write: TMR_RST function, write "1" to reset the safety timer (auto clear) Read: ISEL pin status, 0-ISEL pin at Low level, 1-ISEL pin at High level |
| B6 | EN_STAT | Read/Write | 0-Disable STAT pin function, 1-Enable STAT pin function (default 1) |
| B5 | STAT2 | Read Only | 00-Ready, 01-Charge in progress, 10-Charge done, 11-Fault |
| B4 | STAT1 | Read Only | |
| B3 | BOOST | Read Only | NA |
| B2 | FAULT_3 | Read Only | Charge mode: 000-Normal, 001-VBUS OVP, 010-Sleep mode, 011-Poor input source or VBUS < UVLO, 100-Output OVP, 101-Thermal shutdown, 110-Timer fault, 111-No battery |
| B1 | FAULT_2 | Read Only | |
| B0 (LSB) | FAULT_1 | Read Only | |

Table 4. Control Register (Read/Write)
Memory Location: 01, Reset State: 0011 0000 (30H)

| BIT | NAME | READ/WRITE | FUNCTION |
|----------|------------------------|------------|---|
| B7 (MSB) | lin_Limit_2 | Read/Write | 00-USB host with 100-mA current limit, 01-USB host with 500-mA current limit, 10-USB host/charger with 800-mA current limit, 11-No input current limit (default 00) |
| B6 | lin_Limit_1 | Read/Write | |
| B5 | VLOWV_2 ⁽¹⁾ | Read/Write | 200-mV weak battery voltage threshold (default 1) |
| B4 | VLOWV_1 ⁽¹⁾ | Read/Write | 100-mV weak battery voltage threshold (default 1) |
| B3 | TE | Read/Write | 1-Enable charge current termination, 0-Disable charge current termination (default 0) |
| B2 | \overline{CE} | Read/Write | 1-Charger is disabled, 0-Charger enabled (default 0) |
| B1 | HZ_MODE | Read/Write | 1-High impedance mode, 0-Not high impedance mode (default 0) |
| B0 (LSB) | OPA_MODE | Read/Write | 1-NA, 0-Charger mode (default 0) |

(1) The range of the weak battery voltage threshold ($V_{(LOWV)}$) is 3.4 V to 3.7 V and step of 100 mV (default 3.7 V).

Table 5. Control/Battery Voltage Register (Read/Write)
Memory Location: 02, Reset State: 0000 1010 (0AH)

| BIT | NAME | READ/WRITE | FUNCTION |
|----------|---------------|------------|---|
| B7 (MSB) | $V_{O(REG5)}$ | Read/Write | Battery regulation voltage: 640mV (default 0) |
| B6 | $V_{O(REG4)}$ | Read/Write | Battery regulation voltage: 320mV (default 0) |
| B5 | $V_{O(REG3)}$ | Read/Write | Battery regulation voltage: 160mV (default 0) |
| B4 | $V_{O(REG2)}$ | Read/Write | Battery regulation voltage: 80mV (default 0) |
| B3 | $V_{O(REG1)}$ | Read/Write | Battery regulation voltage: 40mV (default 1) |
| B2 | $V_{O(REG0)}$ | Read/Write | Battery regulation voltage: 20mV (default 0) |
| B1 | NA | Read/Write | NA |
| B0 (LSB) | NA | Read/Write | NA |

Charge voltage range is 3.5 V to 4.44 V with the offset of 3.5 V and step of 20 mV (default is 3.54 V).

Table 6. Vender/Part/Revision Register (Read only)
Memory Location: 03, Reset State: 0100 x001

| BIT | NAME | READ/WRITE | FUNCTION |
|----------|---------|------------|--|
| B7 (MSB) | Vender2 | Read Only | Vender Code: bit 2 (default 0) |
| B6 | Vender1 | Read Only | Vender Code: bit 1 (default 1) |
| B5 | Vender0 | Read Only | Vender Code: bit 0 (default 0) |
| B4 | PN1 | Read Only | Part Number Code: bit 1 (default 0) |
| B3 | PN0 | Read Only | Part Number Code: bit 0 (default 0 for bq24151, default 1 for bq24155) |

Table 6. Vender/Part/Revision Register (Read only)
Memory Location: 03, Reset State: 0100 x001 (continued)

| BIT | NAME | READ/WRITE | FUNCTION |
|----------|-----------|------------|---|
| B2 | Revision2 | Read Only | 011: Revision 1.3; 100-111: Future Revisions |
| B1 | Revision1 | Read Only | |
| B0 (LSB) | Revision0 | Read Only | |

Table 7. Battery Termination/Fast Charge Current Register (Read/Write)
Memory Location: 04, Reset State: 1000 1001 (89H)

| BIT | NAME | READ/WRITE | FUNCTION |
|----------|-----------------------|------------|---|
| B7 (MSB) | Reset | Read/Write | Write: 1-Charger in reset mode, 0-No effect Read: always get "1" |
| B6 | V _{I(CHRG2)} | Read/Write | Charge current sense voltage: 27.2mV (default 0) |
| B5 | V _{I(CHRG1)} | Read/Write | Charge current sense voltage: 13.6mV(default 0) |
| B4 | V _{I(CHRG0)} | Read/Write | Charge current sense voltage: 6.8mV (default 0) |
| B3 | NA | Read/Write | NA |
| B2 | V _{I(TERM2)} | Read/Write | Termination current sense voltage: 13.6mV (default 0) |
| B1 | V _{I(TERM1)} | Read/Write | Termination current sense voltage: 6.8mV (default 0) |
| B0 (LSB) | V _{I(TERM0)} | Read/Write | Termination current sense voltage: 3.4mV (default 1) |

Default charge current is 55 0mA and default termination current is 100 mA, if a 68-mΩ sensing resistor is used.

Both the termination current range and charge current range are depending on the sensing resistor R_(SNS). The termination current step (I_{O(TERM_STEP)}) is calculated using [Equation 2](#):

$$I_{O(TERM_STEP)} = \frac{V_{I(TERM0)}}{R_{(SNS)}} \quad (2)$$

[Table 8](#) shows the termination current settings with two sensing resistors.

Table 8. Termination Current Settings for 68-mΩ and 100-mΩ Sense Resistors

| BIT | V _{I(TERM)} (mV) | I _(TERM) (mA) R _(SNS) = 68mΩ | I _(TERM) (mA) R _(SNS) = 100mΩ |
|-----------------------|---------------------------|---|--|
| V _{I(TERM2)} | 13.6 | 200 | 136 |
| V _{I(TERM1)} | 6.8 | 100 | 68 |
| V _{I(TERM0)} | 3.4 | 50 | 34 |
| Offset | 3.4 | 50 | 34 |

The charge current step (I_{O(CHARGE_STEP)}) is calculated using [Equation 3](#):

$$I_{O(CHARGE_STEP)} = \frac{V_{I(CHRG0)}}{R_{(SNS)}} \quad (3)$$

[Table 9](#) shows the charge current settings with two sensing resistors.

Table 9. Charge Current Settings for 68-mΩ and 100-mΩ Sense Resistors

| BIT | V _{I(REG)} (mV) | I _{O(CHARGE)} (mA) R _(SNS) = 68mΩ | I _{O(CHARGE)} (mA) R _(SNS) = 100mΩ |
|-----------------------|--------------------------|--|---|
| V _{I(CHRG2)} | 27.2 | 400 | 272 |
| V _{I(CHRG1)} | 13.6 | 200 | 136 |
| V _{I(CHRG0)} | 6.8 | 100 | 68 |
| Offset | 37.4 | 550 | 374 |

POWER TOPOLOGIES

System Load After Sensing Resistor

One of the simple high-efficiency topologies connects the system load directly across the battery pack, as shown in Figure 20. The input voltage has been converted to a usable system voltage with good efficiency from the input. When the input power is on, it supplies the system load and charges the battery pack at the same time. When the input power is off, the battery pack powers the system directly.

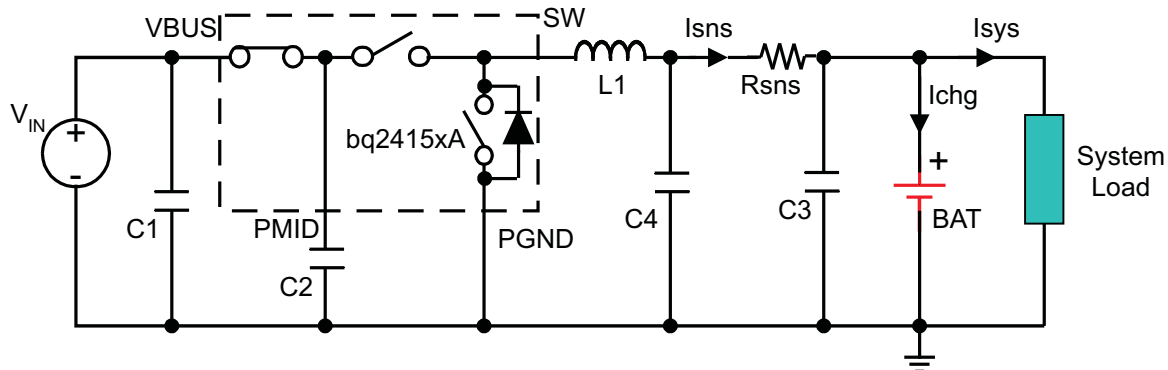


Figure 20. System Load After Sensing Resistor

The advantages:

- When the AC adapter is disconnected, the battery pack powers the system load with minimum power dissipations. Consequently, the time that the system runs on the battery pack can be maximized.
- It saves the external path selection components and offers a low-cost solution.
- Dynamic power management (DPM) can be achieved. The total of the charge current and the system current can be limited to a desired value by adjusting charge current. When the system current increases, the charge current drops by the same amount. As a result, no potential over-current or over-heating issues are caused by excessive system load demand.
- The total of the input current can be limited to a desired value by setting input current limit value. So USB specifications can be met easily.
- The supply voltage variation range for the system can be minimized.
- The input current soft-start can be achieved by the generic soft-start feature of the IC.

Design considerations and potential issues:

- If the system always demands a high current (but lower than the regulation current), the charging never terminates. Thus, the battery is always charged, and the lifetime may be reduced.
- Because the total current regulation threshold is fixed and the system always demands some current, the battery may not be charged with a full-charge rate and thus may lead to a longer charge time.
- If the system load current is large after the charger has been terminated, the voltage drop across the battery impedance may cause the battery voltage to drop below the refresh threshold and start a new charge. The charger would then terminate due to low charge current. Therefore, the charger would cycle between charging and terminating. If the load is smaller, the battery has to discharge down to the refresh threshold, resulting in a much slower cycling.
- In a charger system, the charge current is typically limited to about 10mA, if the sensed battery voltage is below 2V short circuit protection threshold. This results in low power availability at the system bus. If an external supply is connected and the battery is deeply discharged, below the short circuit protection threshold, the charge current is clamped to the short circuit current limit. This then is the current available to the system during the power-up phase. Most systems cannot function with such limited supply current, and the battery supplements the additional power required by the system. Note that the battery pack is already at the depleted condition, and it discharges further until the battery protector opens, resulting in a system shutdown.
- If the battery is below the short circuit threshold and the system requires a bias current budget lower than the short circuit current limit, the end-equipment will be operational, but the charging process can be affected depending on the current left to charge the battery pack. Under extreme conditions, the system current is

close to the short circuit current levels and the battery may not reach the fast-charge region in a timely manner. As a result, the safety timers flag the battery pack as defective, terminating the charging process. Because the safety timer cannot be disabled, the inserted battery pack must not be depleted to make the application possible.

- For instance, if the battery pack voltage is too low, highly depleted, or totally dead or even shorted, the system voltage is clamped by the battery and it cannot operate even if the input power is on.

System Load Before Sensing Resistor

The second circuit is very similar to first one; the difference is that the system load is connected before the sense resistor, as shown in [Figure 21](#).

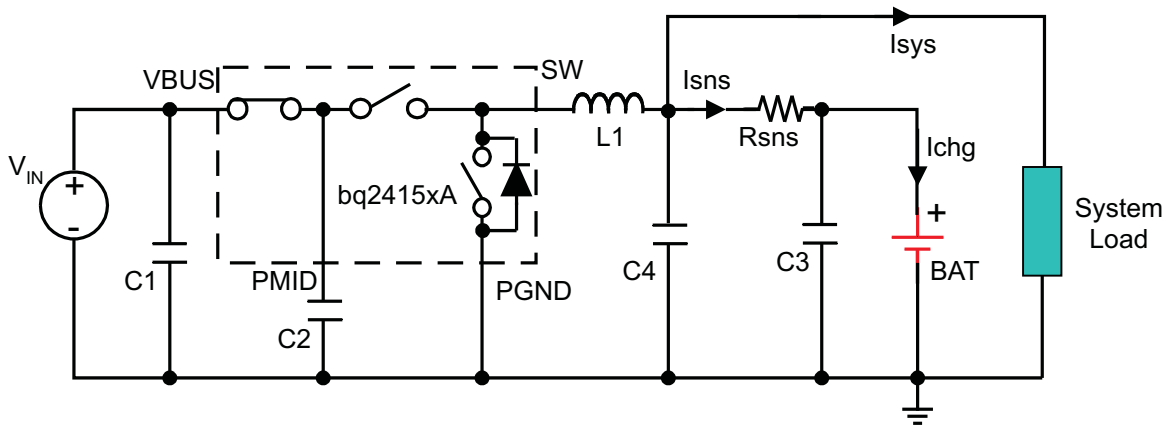


Figure 21. System Load Before Sensing Resistor

The advantages of system load before sensing resistor to system load after sensing resistor:

- The charger controller is based only on the current goes through the current-sense resistor. So, the constant current fast charge and termination functions work well, and are not affected by the system load. This is the major advantage of it.
- A depleted battery pack can be connected to the charger without the risk of the safety timer expiration caused by high system load.
- The charger can disable termination and keep the converter running to keep battery fully charged, or let the switcher terminate when the battery is full and then run off of the battery via the sense resistor.

Design considerations and potential issues:

- The total current is limited by the IC input current limit, or peak current protection but not the charge current setting. The charge current does not drop when the system current load increases until the input current limit is reached. This solution is not applicable if the system requires a high current.
- Efficiency declines when discharging through the sense resistor to the system.
- No thermal regulation. Therefore, system design should ensure the maximum junction temperature of the IC is below 125°C during normal operation.

DESIGN EXAMPLE FOR TYPICAL APPLICATION CIRCUITS

Systems Design Specifications:

- $V_{BUS} = 5\text{ V}$
 - $V_{(BAT)} = 4.2\text{ V}$ (1-Cell)
 - $I_{(charge)} = 1.25\text{ A}$
 - Inductor ripple current = 30% of fast charge current
1. Determine the inductor value (L_{OUT}) for the specified charge current ripple:

$$L_{OUT} = \frac{VBAT \times (VBUS - VBAT)}{VBUS \times f \times \Delta I_L}$$

, the worst case is when battery voltage is as close as to half of the input voltage.

$$L_{OUT} = \frac{2.5 \times (5 - 2.5)}{5 \times (3 \times 10^6) \times 1.25 \times 0.3} \quad (4)$$

$$L_{OUT} = 1.11 \mu\text{H}$$

Select the output inductor to standard 1 μH . Calculate the total ripple current with using the 1 μH inductor:

$$\Delta I_L = \frac{VBAT \times (VBUS - VBAT)}{VBUS \times f \times L_{OUT}} \quad (5)$$

$$\Delta I_L = \frac{2.5 \times (5 - 2.5)}{5 \times (3 \times 10^6) \times (1 \times 10^{-6})} \quad (6)$$

$$\Delta I_L = 0.42 \text{ A}$$

Calculate the maximum output current:

$$I_{LPK} = I_{OUT} + \frac{\Delta I_L}{2} \quad (7)$$

$$I_{LPK} = 1.25 + \frac{0.42}{2} \quad (8)$$

$$I_{LPK} = 1.46 \text{ A}$$

Select 2.5mm by 2.0mm 1- μH 1.5-A surface mount multi-layer inductor. The suggested inductor part numbers are shown as following.

Table 10. Inductor Part Numbers

| PART NUMBER | INDUCTANCE | SIZE | MANUFACTURER |
|----------------|-----------------|--------------|-----------------|
| LQM2HPN1R0MJ0 | 1 μH | 2.5 x 2.0 mm | muRata |
| MIPS2520D1R0 | 1 μH | 2.5 x 2.0 mm | FDK |
| MDT2520-CN1R0M | 1 μH | 2.5 x 2.0 mm | TOKO |
| CP1008 | 1 μH | 2.5 x 2.0 mm | Inter-Technical |

2. Determine the output capacitor value C_{OUT} using 40 kHz as the resonant frequency:

$$f_0 = \frac{1}{2\pi \times \sqrt{L_{OUT} \times C_{OUT}}} \quad (9)$$

$$C_{OUT} = \frac{1}{4\pi^2 \times f_0^2 \times L_{OUT}} \quad (10)$$

$$C_{OUT} = \frac{1}{4\pi^2 \times (40 \times 10^3)^2 \times (1 \times 10^{-6})} \quad (11)$$

$$C_{OUT} = 15.8 \mu\text{F}$$

Select two 0603 X5R 6.3V 10- μF ceramic capacitors in parallel i.e., muRata GRM188R60J106M.

3. Determine the sense resistor using the following equation:

$$R_{(SNS)} = \frac{V_{(RSNS)}}{I_{(CHARGE)}} \quad (12)$$

The maximum sense voltage across sense resistor is 85 mV. In order to get a better current regulation accuracy, $V_{(RSNS)}$ should equal 85 mV, and calculate the value for the sense resistor.

$$R_{(SNS)} = \frac{85\text{mV}}{1.25\text{A}} \quad (13)$$

$$R_{(SNS)} = 68 \text{ m}\Omega$$

This is a standard value. If it is not a standard value, then choose the next close value and calculate the real charge current. Calculate the power dissipation on the sense resistor:

$$P_{(RSNS)} = I_{(\text{CHARGE})}^2 \times R_{(SNS)}$$

$$P_{(RSNS)} = 125^2 \times 0.068$$

$$P_{(RSNS)} = 0.106 \text{ W}$$

Select 0402 0.125-W 68-m Ω 2% sense resistor, i.e. Panasonic ERJ2BWGR068.

4. Measured efficiency and total power loss for different inductors are shown in [Figure 22](#).

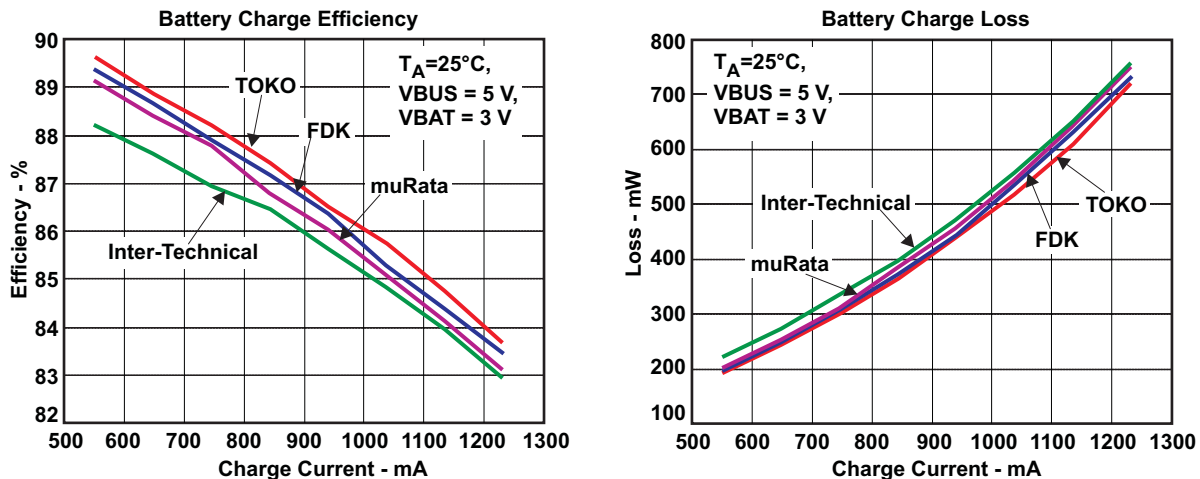


Figure 22. Measured Efficiency and Power Loss

PCB LAYOUT CONSIDERATION

It is important to pay special attention to the PCB layout. The following provides some guidelines:

- To obtain optimal performance, the power input capacitors, connected from input to PGND, should be placed as close as possible to the bq24155. The output inductor should be placed close to the IC and the output capacitor connected between the inductor and PGND of the IC. The intent is to minimize the current path loop area from the SW pin through the LC filter and back to the PGND pin. To prevent high frequency oscillation problems, proper layout to minimize high frequency current path loop is critical (see [Figure 23](#)). The sense resistor should be adjacent to the junction of the inductor and output capacitor. Route the sense leads connected across the RSNS back to the IC, close to each other (minimize loop area) or on top of each other on adjacent layers (do not route the sense leads through a high-current path, see [Figure 24](#)).
- Place all decoupling capacitor close to their respective IC pin and as close as to PGND (do not place components such that routing interrupts power stage currents). All small control signals should be routed away from the high current paths.
- The PCB should have a ground plane (return) connected directly to the return of all components through vias (two vias per capacitor for power-stage capacitors, two vias for the IC PGND, one via per capacitor for small-signal components). A star ground design approach is typically used to keep circuit block currents isolated (high-power/low-power small-signal) which reduces noise-coupling and ground-bounce issues. A single ground plane for this design gives good results. With this small layout and a single ground plane, there is no ground-bounce issue, and having the components segregated minimizes coupling between signals.
- The high-current charge paths into VBUS, PMID and from the SW pins must be sized appropriately for the maximum charge current in order to avoid voltage drops in these traces. The PGND pins should be connected to the ground plane to return current through the internal low-side FET.

- Place 4.7uF input capacitor as close to PMID pin and PGND pin as possible to make high frequency current loop area as small as possible. Place 1uF input capacitor as close to VBUS pin and PGND pin as possible to make high frequency current loop area as small as possible (see Figure 25).

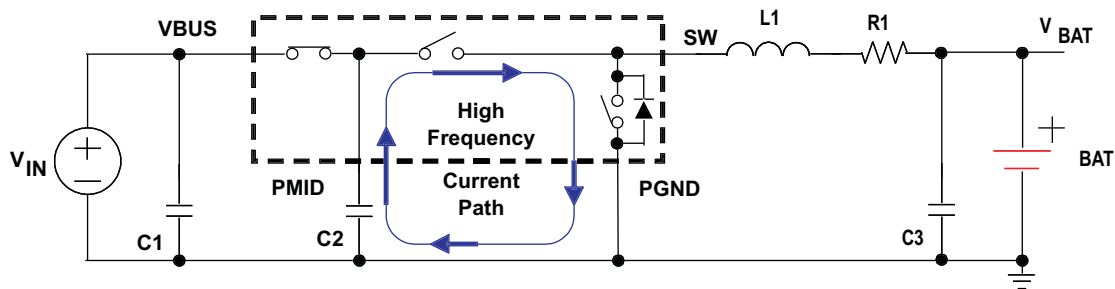


Figure 23. High Frequency Current Path

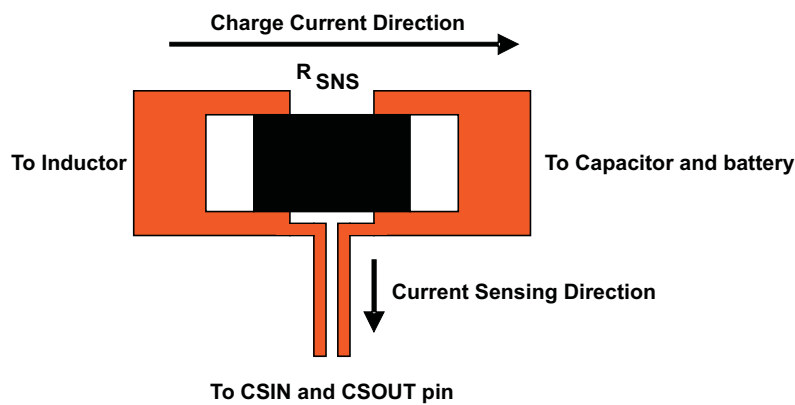


Figure 24. Sensing Resistor PCB Layout

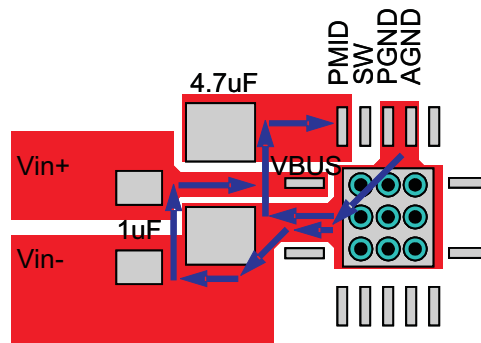


Figure 25. Input Capacitor Position and PCB Layout Example

PACKAGING INFORMATION

| Orderable Device | Status (1) | Package Type | Package Drawing | Pins | Package Qty | Eco Plan (2) | Lead finish/ Ball material (6) | MSL Peak Temp (3) | Op Temp (°C) | Device Marking (4/5) | Samples |
|------------------|---------------|--------------|-----------------|------|-------------|-----------------|--------------------------------------|----------------------|--------------|-------------------------|-------------------------|
| BQ24155RGRYR | ACTIVE | VQFN | RGY | 14 | 3000 | RoHS & Green | NIPDAU | Level-2-260C-1 YEAR | -40 to 85 | 24155 | Samples |
| BQ24155RGRYT | ACTIVE | VQFN | RGY | 14 | 250 | RoHS & Green | NIPDAU | Level-2-260C-1 YEAR | -40 to 85 | 24155 | Samples |

(1) The marketing status values are defined as follows:

ACTIVE: Product device recommended for new designs.

LIFEBUY: TI has announced that the device will be discontinued, and a lifetime-buy period is in effect.

NRND: Not recommended for new designs. Device is in production to support existing customers, but TI does not recommend using this part in a new design.

PREVIEW: Device has been announced but is not in production. Samples may or may not be available.

OBSOLETE: TI has discontinued the production of the device.

(2) **RoHS:** TI defines "RoHS" to mean semiconductor products that are compliant with the current EU RoHS requirements for all 10 RoHS substances, including the requirement that RoHS substance do not exceed 0.1% by weight in homogeneous materials. Where designed to be soldered at high temperatures, "RoHS" products are suitable for use in specified lead-free processes. TI may reference these types of products as "Pb-Free".

RoHS Exempt: TI defines "RoHS Exempt" to mean products that contain lead but are compliant with EU RoHS pursuant to a specific EU RoHS exemption.

Green: TI defines "Green" to mean the content of Chlorine (Cl) and Bromine (Br) based flame retardants meet JS709B low halogen requirements of <=1000ppm threshold. Antimony trioxide based flame retardants must also meet the <=1000ppm threshold requirement.

(3) MSL, Peak Temp. - The Moisture Sensitivity Level rating according to the JEDEC industry standard classifications, and peak solder temperature.

(4) There may be additional marking, which relates to the logo, the lot trace code information, or the environmental category on the device.

(5) Multiple Device Markings will be inside parentheses. Only one Device Marking contained in parentheses and separated by a "~" will appear on a device. If a line is indented then it is a continuation of the previous line and the two combined represent the entire Device Marking for that device.

(6) Lead finish/Ball material - Orderable Devices may have multiple material finish options. Finish options are separated by a vertical ruled line. Lead finish/Ball material values may wrap to two lines if the finish value exceeds the maximum column width.

Important Information and Disclaimer:The information provided on this page represents TI's knowledge and belief as of the date that it is provided. TI bases its knowledge and belief on information provided by third parties, and makes no representation or warranty as to the accuracy of such information. Efforts are underway to better integrate information from third parties. TI has taken and continues to take reasonable steps to provide representative and accurate information but may not have conducted destructive testing or chemical analysis on incoming materials and chemicals. TI and TI suppliers consider certain information to be proprietary, and thus CAS numbers and other limited information may not be available for release.

In no event shall TI's liability arising out of such information exceed the total purchase price of the TI part(s) at issue in this document sold by TI to Customer on an annual basis.

TAPE AND REEL INFORMATION
REEL DIMENSIONS

TAPE DIMENSIONS


| | |
|----|---|
| A0 | Dimension designed to accommodate the component width |
| B0 | Dimension designed to accommodate the component length |
| K0 | Dimension designed to accommodate the component thickness |
| W | Overall width of the carrier tape |
| P1 | Pitch between successive cavity centers |

TAPE AND REEL INFORMATION

*All dimensions are nominal

| Device | Package Type | Package Drawing | Pins | SPQ | Reel Diameter (mm) | Reel Width W1 (mm) | A0 (mm) | B0 (mm) | K0 (mm) | P1 (mm) | W (mm) | Pin1 Quadrant |
|-------------|--------------|-----------------|------|------|--------------------|--------------------|---------|---------|---------|---------|--------|---------------|
| BQ24155RGYR | VQFN | RGY | 14 | 3000 | 330.0 | 12.4 | 3.75 | 3.75 | 1.15 | 8.0 | 12.0 | Q1 |
| BQ24155RGYT | VQFN | RGY | 14 | 250 | 180.0 | 12.4 | 3.75 | 3.75 | 1.15 | 8.0 | 12.0 | Q1 |

TAPE AND REEL BOX DIMENSIONS



*All dimensions are nominal

| Device | Package Type | Package Drawing | Pins | SPQ | Length (mm) | Width (mm) | Height (mm) |
|-------------|--------------|-----------------|------|------|-------------|------------|-------------|
| BQ24155RGYR | VQFN | RGY | 14 | 3000 | 367.0 | 367.0 | 35.0 |
| BQ24155RGYT | VQFN | RGY | 14 | 250 | 210.0 | 185.0 | 35.0 |

RGY (S-PVQFN-N14)

PLASTIC QUAD FLATPACK NO-LEAD



4203539-2/1 06/2011

- NOTES:
- All linear dimensions are in millimeters. Dimensioning and tolerancing per ASME Y14.5M-1994.
 - This drawing is subject to change without notice.
 - QFN (Quad Flatpack No-Lead) package configuration.
 - The package thermal pad must be soldered to the board for thermal and mechanical performance.
 - See the additional figure in the Product Data Sheet for details regarding the exposed thermal pad features and dimensions.
 - Pin 1 identifiers are located on both top and bottom of the package and within the zone indicated. The Pin 1 identifiers are either a molded, marked, or metal feature.
 - Package complies to JEDEC MO-241 variation BA.

RGY (S-PVQFN-N14)

PLASTIC QUAD FLATPACK NO-LEAD

THERMAL INFORMATION

This package incorporates an exposed thermal pad that is designed to be attached directly to an external heatsink. The thermal pad must be soldered directly to the printed circuit board (PCB). After soldering, the PCB can be used as a heatsink. In addition, through the use of thermal vias, the thermal pad can be attached directly to the appropriate copper plane shown in the electrical schematic for the device, or alternatively, can be attached to a special heatsink structure designed into the PCB. This design optimizes the heat transfer from the integrated circuit (IC).

For information on the Quad Flatpack No-Lead (QFN) package and its advantages, refer to Application Report, QFN/SON PCB Attachment, Texas Instruments Literature No. SLUA271. This document is available at www.ti.com.

The exposed thermal pad dimensions for this package are shown in the following illustration.



Bottom View

Exposed Thermal Pad Dimensions

4206353-2/P 03/14

NOTE: All linear dimensions are in millimeters

RGY (S-PVQFN-N14)

PLASTIC QUAD FLATPACK NO-LEAD



4208122-2/P 03/14

- NOTES:
- All linear dimensions are in millimeters.
 - This drawing is subject to change without notice.
 - Publication IPC-7351 is recommended for alternate designs.
 - This package is designed to be soldered to a thermal pad on the board. Refer to Application Note, Quad Flat-Pack QFN/SON PCB Attachment, Texas Instruments Literature No. SLUA271, and also the Product Data Sheets for specific thermal information, via requirements, and recommended board layout. These documents are available at www.ti.com <<http://www.ti.com>>.
 - Laser cutting apertures with trapezoidal walls and also rounding corners will offer better paste release. Customers should contact their board assembly site for stencil design recommendations. Refer to IPC 7525 for stencil design considerations.
 - Customers should contact their board fabrication site for minimum solder mask web tolerances between signal pads.

IMPORTANT NOTICE AND DISCLAIMER

TI PROVIDES TECHNICAL AND RELIABILITY DATA (INCLUDING DATASHEETS), DESIGN RESOURCES (INCLUDING REFERENCE DESIGNS), APPLICATION OR OTHER DESIGN ADVICE, WEB TOOLS, SAFETY INFORMATION, AND OTHER RESOURCES "AS IS" AND WITH ALL FAULTS, AND DISCLAIMS ALL WARRANTIES, EXPRESS AND IMPLIED, INCLUDING WITHOUT LIMITATION ANY IMPLIED WARRANTIES OF MERCHANTABILITY, FITNESS FOR A PARTICULAR PURPOSE OR NON-INFRINGEMENT OF THIRD PARTY INTELLECTUAL PROPERTY RIGHTS.

These resources are intended for skilled developers designing with TI products. You are solely responsible for (1) selecting the appropriate TI products for your application, (2) designing, validating and testing your application, and (3) ensuring your application meets applicable standards, and any other safety, security, or other requirements. These resources are subject to change without notice. TI grants you permission to use these resources only for development of an application that uses the TI products described in the resource. Other reproduction and display of these resources is prohibited. No license is granted to any other TI intellectual property right or to any third party intellectual property right. TI disclaims responsibility for, and you will fully indemnify TI and its representatives against, any claims, damages, costs, losses, and liabilities arising out of your use of these resources.

TI's products are provided subject to TI's Terms of Sale (www.ti.com/legal/termsofsale.html) or other applicable terms available either on ti.com or provided in conjunction with such TI products. TI's provision of these resources does not expand or otherwise alter TI's applicable warranties or warranty disclaimers for TI products.

Mailing Address: Texas Instruments, Post Office Box 655303, Dallas, Texas 75265
Copyright © 2020, Texas Instruments Incorporated