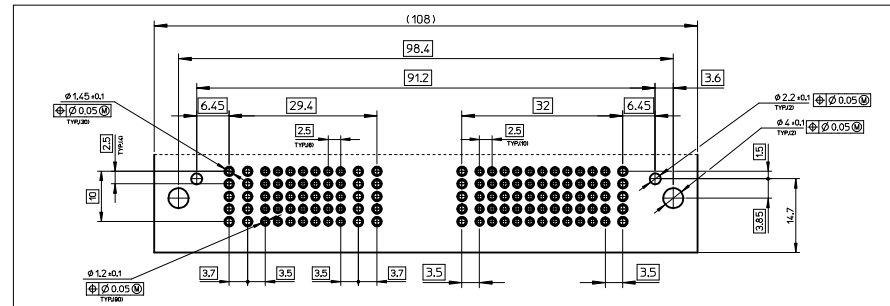
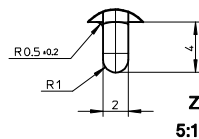
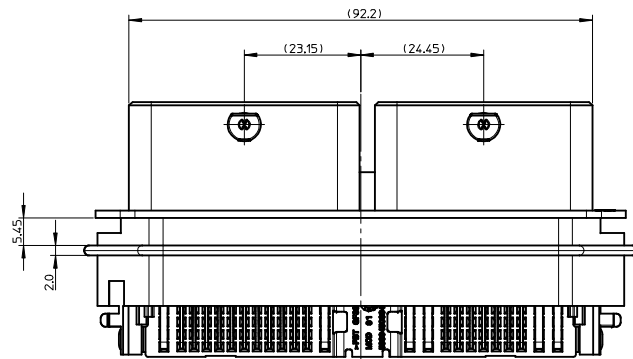
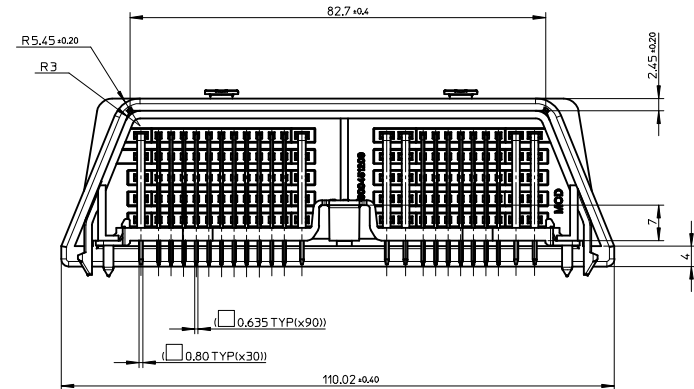
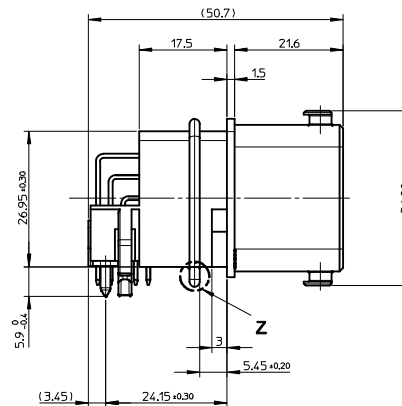
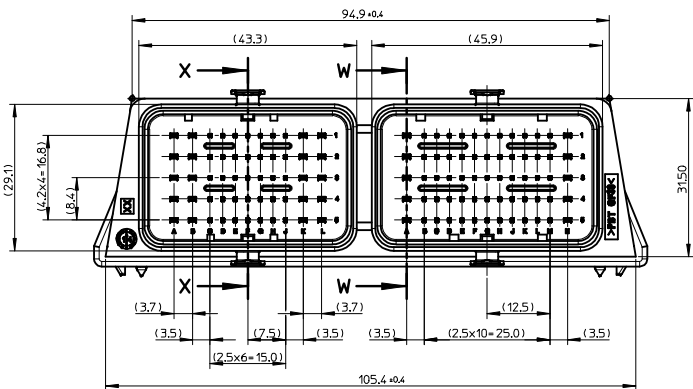
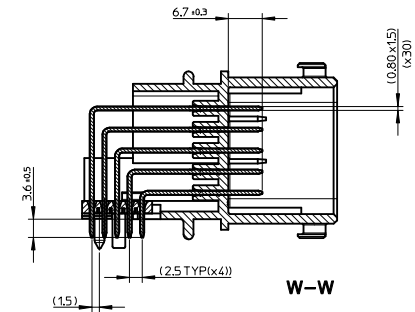
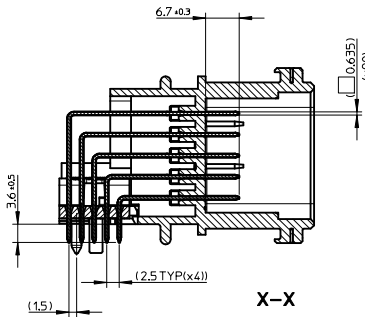
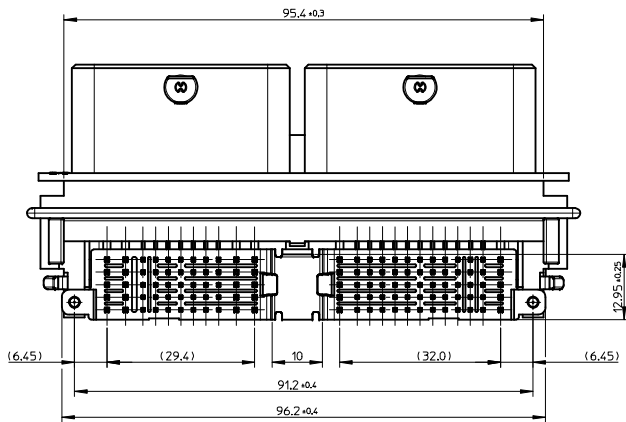


NOTES
1 - PART FREE OF SOLVENT CONTAINING SILICONE AND GREASE.

				5600451201	MOLEX P/N
				CMX HEADER RA ASSY 120CKT	DESCRIPTION
				PK-560045-001	PACKAGING
				99.05 g	WEIGHT
12	PIN 150 - ROW 1	COPPER ALLOY	Sn PLATING		6
11	PIN 150 - ROW 2				6
10	PIN 150 - ROW 3				6
9	PIN 150 - ROW 4				6
8	PIN 150 - ROW 5				6
7	PIN 064 - ROW 1	COPPER ALLOY	Sn PLATING		18
6	PIN 064 - ROW 2				18
5	PIN 064 - ROW 3				18
4	PIN 064 - ROW 4				18
3	PIN 064 - ROW 5				18
2	PIN GUIDING PLATE	>PBT-GF30<	BLACK		1
1	HEADER 120 CKT	>PBT-GF30<	BLACK		1
POS.	DESIGNATION	MATERIAL	COLOUR	SURFACE FINISH	QUANTITY

TO MODIFY LASER MARKING EC NO: G2015-0213 DRAWN BY: PGRANDCL CHKD BY: DPLESSIS APPR: SLAFAURE 2014/12/02 2014/12/02 2015/10/05	QUALITY SYMBOLS ∇=0 ∇=0 ∇=0	GENERAL TOLERANCES (UNLESS SPECIFIED)		DIMENSION STYLE MM ONLY		SCALE 2:1	DESIGN UNITS METRIC	FIRST ANGLE PROJECTION
		4 PLACES ± --- ± --- 3 PLACES ± --- ± --- 2 PLACES ± 0.30 ± --- 1 PLACE ± 0.25 ± --- 0 PLACE ± 0.20 ± ---	mmm INCH ± --- ± --- ± --- ± --- ± --- ± --- ± --- ± ---	DRAWN BY DATE PGRANDCL 2014/06/25 CHECKED BY DATE DPLESSIS 2014/06/25 APPROVED BY DATE SLAFAURE 2014/06/26	TITLE CMX 120W HEADER ASSEMBLED SERIAL			
		ANGULAR ± 2 ° DRAFT WHERE APPLICABLE MUST REMAIN WITHIN DIMENSIONS		MATERIAL NO. 5600451201	DOCUMENT NO. SD-560045-010	SHEET NO. 1 OF 2		
		THIS DRAWING CONTAINS INFORMATION THAT IS PROPRIETARY TO MOLEX INCORPORATED AND SHOULD NOT BE USED WITHOUT WRITTEN PERMISSION						



RECOMENDED PCB LAYOUT (COMPONENT SIDE)
SCALE 2:1

SEE SHEET 1 EC NO: G2015-02B DRAWN: PGRANDCL CHKD: DPLESSIS APPROV: SLAFAURE	2014/12/02	QUALITY SYMBOLS	GENERAL TOLERANCES (UNLESS SPECIFIED)		DIMENSION STYLE MM ONLY		SCALE 2:1	DESIGN UNITS METRIC	FIRST ANGLE PROJECTION
	2014/12/02	▽=0	mm	INCH	DRAWN BY	DATE	TITLE	CMX 120W HEADER ASSEMBLED SERIAL molex DOCUMENT NO. SD-560045-010	
	2015/10/05	▽=0,30	ANGULAR ± 2°		PGRANDCL	2014/06/25			
		▽=0,25	DRAFT WHERE APPLICABLE MUST REMAIN WITHIN DIMENSIONS		CHECKED BY	DATE			
	▽=0,20	MATERIAL NO. 5600451201		DPLESSIS	2014/06/25				
			SIZE 1		APPROVED BY	DATE	SHEET NO. 2 OF 2		
					SLAFAURE	2014/06/26	THIS DRAWING CONTAINS INFORMATION THAT IS PROPRIETARY TO MOLEX INCORPORATED AND SHOULD NOT BE WITHOUT WRITTEN PERMISSION		