

REV	DATE	DESCRIPTION	DATE	OWN	APVD
B2	03SEP2018	REVISED PER PCN E-18-013976	03SEP2018	SS	DM
B3	15MAR2019	REVISED PER PCN E-19-004598	15MAR2019	DD	DM
C	24APR2019	REVISED PER PCN E-19-014633	24APR2019	NS	RM
C1	28MAR2023	REVISED PER PCN-23-171200	28MAR2023	RK	IG

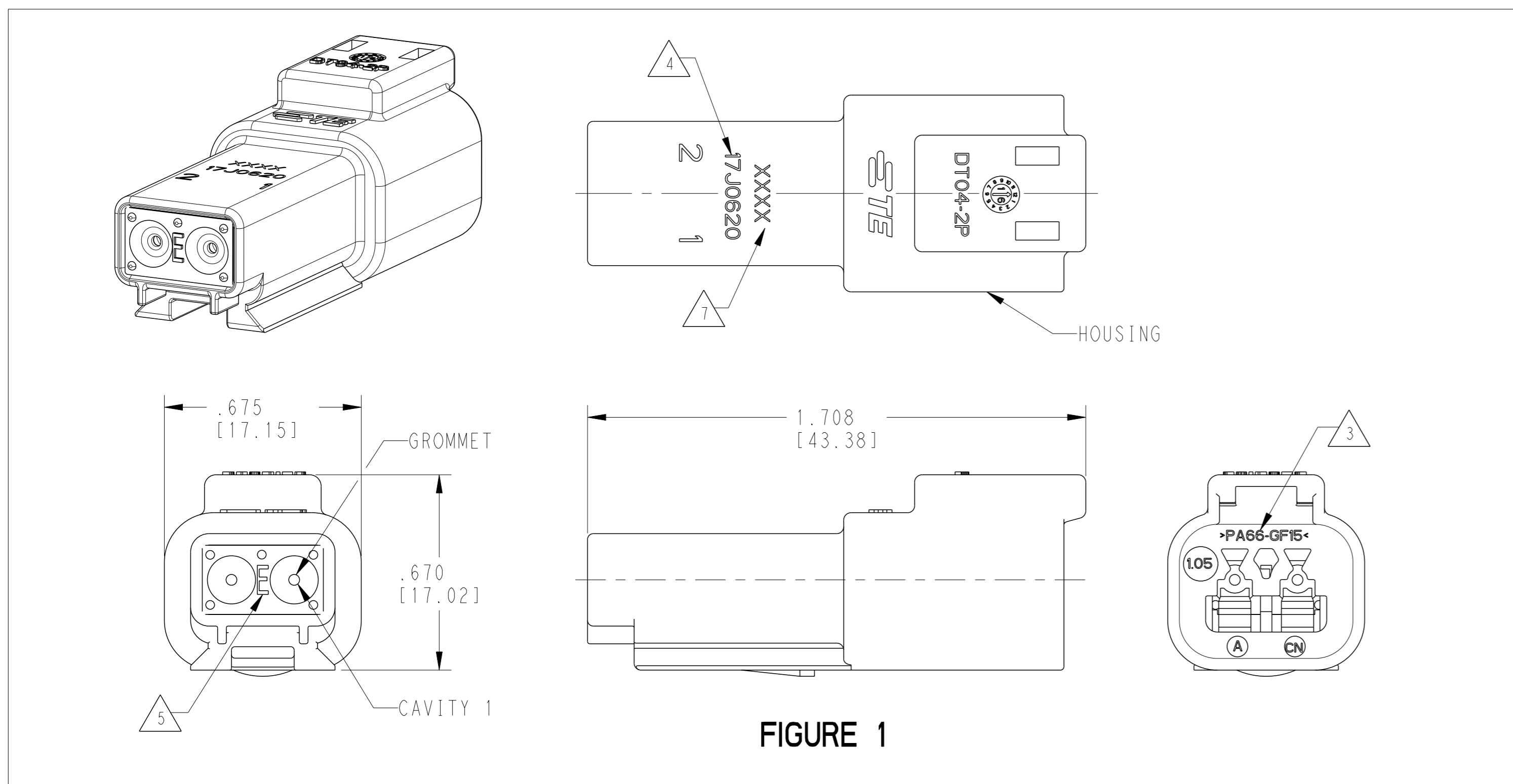


FIGURE 1

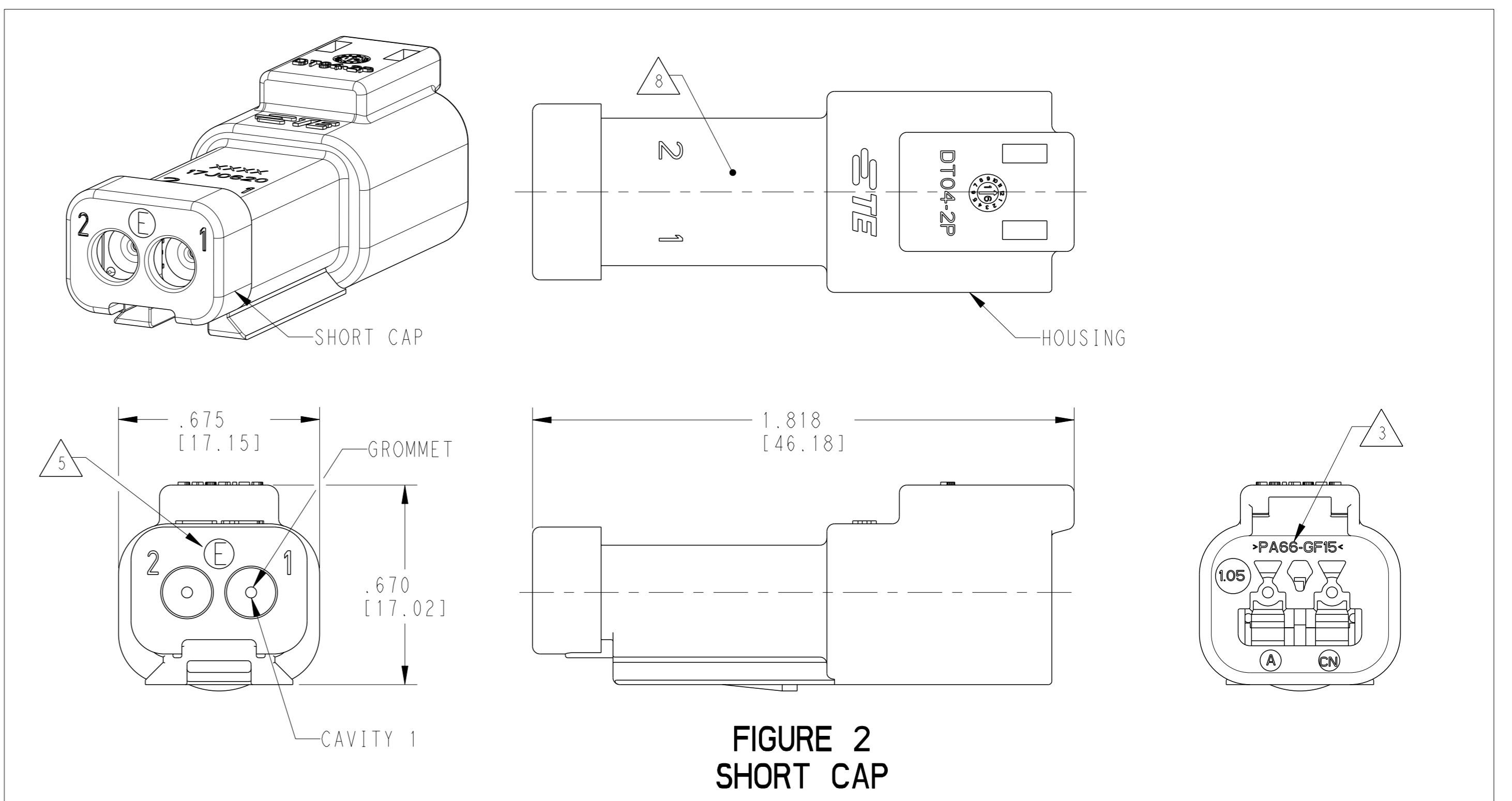


FIGURE 2
SHORT CAP

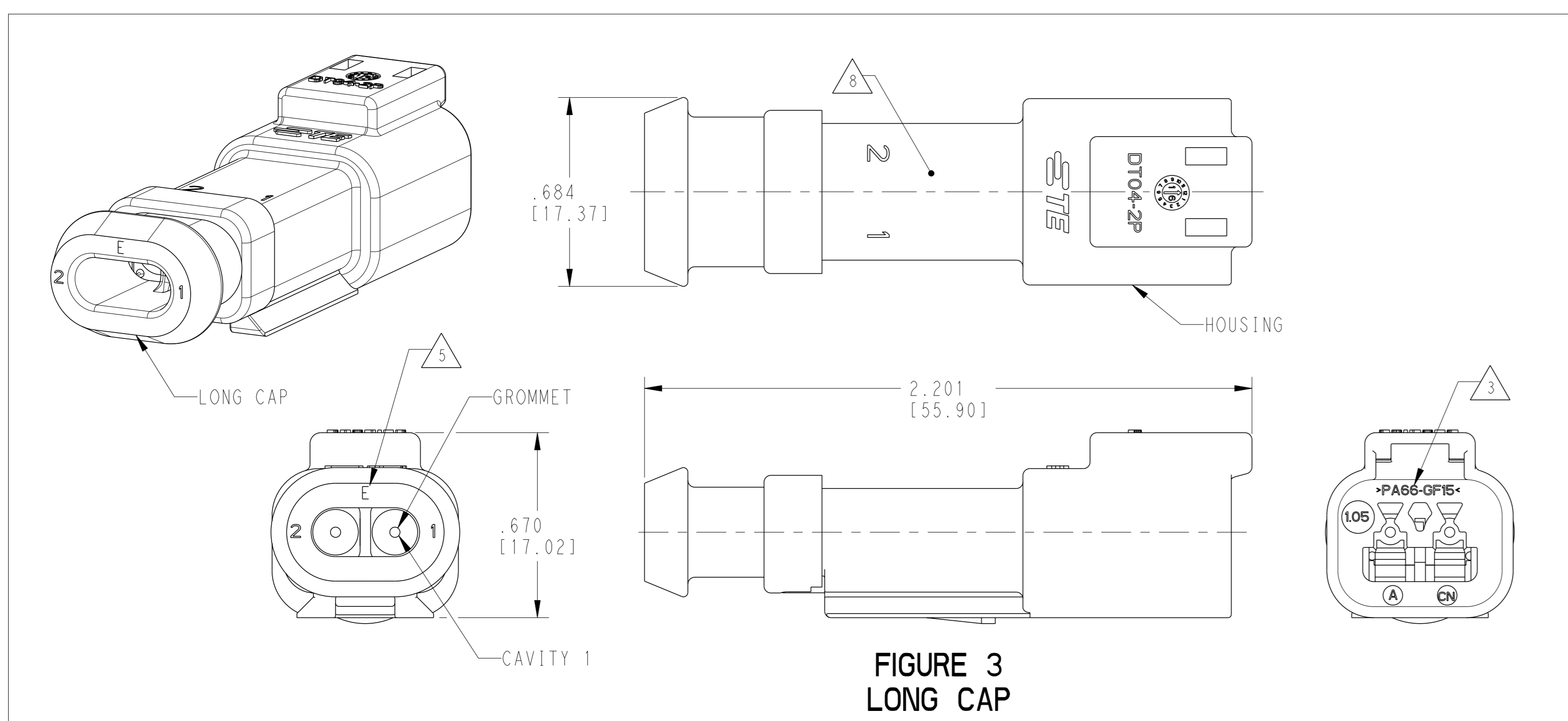


FIGURE 3
LONG CAP

CONTACT SIZE	WIRE RANGE	INSULATION OD SEALING RANGE	SEAL IDENTIFICATION
16	14-20 AWG [2.5-0.5mm ²]	.088-.145 [2.23-3.68]	STANDARD SEAL
		.053-.120 [1.35-3.05]	EXTRA THIN SEAL E-SEAL

TE INTERNAL PART NUMBER	DEUTSCH PART NUMBER	PN REV	COLOR	STANDARD SEAL GROMMET	EXTRA THIN SEAL E-SEAL GROMMET	SHORT CAP	LONG CAP	FIGURE
DT04-2P	DT04-2P	A	GREY	X				1
DT04-2P-C015	DT04-2P-C015	B	GREY		X			1
DT04-2P-CE01	DT04-2P-CE01	B	GREY		X	X		2
DT04-2P-CE04	DT04-2P-CE04	C	GREY		X		X	3
DT04-2P-E003	DT04-2P-E003	A	GREY	X		X		2
DT04-2P-E008	DT04-2P-E008	A	GREY	X			X	3
DT04-2P-EP04	DT04-2P-EP04	B	GREY	X		X		2
DT04-2P-P004	DT04-2P-P004	B	GREY	X				1
DT04-2P-CE02	DT04-2P-CE02	B	BLACK		X			1
DT04-2P-CE03	DT04-2P-CE03	B	BLACK		X	X		2
DT04-2P-CE09	DT04-2P-CE09	B	BLACK		X		X	3
DT04-2P-E004	DT04-2P-E004	A	BLACK	X				1
DT04-2P-E005	DT04-2P-E005	A	BLACK	X		X		2
DT04-2P-EE01	DT04-2P-EE01	A	BLACK	X			X	3

- 4 DATE CODE: IDENTIFIES THE YEAR, MONTH, DAY AND HOUR OF ASSEMBLY.
YEAR: FIRST AND SECOND DIGITS. (17 = 2017)
MONTH: THIRD DIGIT, EXCLUDING I. A = JAN, B = FEB, C = MARCH ... (K = OCTOBER)
DAY: FOURTH AND FIFTH DIGITS (14 = 14th DAY)
HOUR: SIXTH AND SEVENTH DIGITS (11 = 11AM)
- 3 MATERIAL: HOUSING, PA66 GF15, SEE TABLE FOR COLOR
SHORT, LONG CAP: PA66 GF15, SEE TABLE FOR COLOR
GROMMET: E-SEAL VMO (BURNT RED)
N-SEAL VMO (RED-ORANGE)
- 2. THIS RECEPTACLE MATES WITH DT06-2S-XXXX PLUG.
(XXXX = ALL MODIFICATIONS)
- 1. SECONDARY WEDGE LOCK SOLD SEPARATELY: W2PX-XXXX.
(X = A,B,C,D KEY, XXXX = ALL MODIFICATIONS)
- 8 ADDITIONAL MARKING PER NOTE 4 AND 7 EXCLUSIVELY FOR PARTS WITH CAPS PRODUCED IN CHINA.
- 7 XXXX IDENTIFIES THE MODIFICATION NUMBER, IF APPLICABLE. EXAMPLE: "E003" FOR DT04-2P-E003, OR BLANK FOR DT04-2P.
- 6. FOR CONTACTS AND WIRE PERFORMANCE AND APPLICATION CHARACTERISTICS SEE CUSTOMER DRAWING 0425-015-0000.
- 5 "E" IDENTIFIES E-SEAL.

NOTES: UNLESS OTHERWISE SPECIFIED

THIS DRAWING IS A CONTROLLED DOCUMENT. DATE: 16 JUN 2016. DRAWN BY: JAIME C. APOSTOL. CHECKED BY: D. MEYER. APPROVED BY: D. MEYER. PRODUCT SPEC: 108-151009. APPLICATION SPEC: 114-151009. MATERIAL: PA66 GF15. FINISH: 40° 30' 0". WEIGHT: 0.114-0.151009. CUSTOMER DRAWING. SCALE: 3:1. SHEET 1 OF 1. REV C1.

TE TE Connectivity

2 WAY RECEPTACLE, STANDARD SEAL EXTRA THIN SEAL, SHORT CAP AND LONG CAP, DT SERIES

4AFU8 ©=DT04-2P-XXXX

Printed on 10 Apr 2023 08:32 (Eastern Standard Time) from TEE34945.