

## Description

The DIODES™ AH9250 is a high sensitivity Hall-effect switch with internal pull-up resistor on the output, designed for battery operated handheld equipment to industrial applications.

A chopper stabilized architecture improves stability of magnetic switch points over the whole operating range. A sleep-awake logic controls the sleep and awake time to reduce the average operating current of the device. During the awake time, the output is changed with the magnetic flux density. During the sleep time, the output is latched in its previous state and the current consumption reduces to 4µA typical at 3V. The average current consumption is 8µA at 3V.

The output can be switched on with either north or south pole of sufficient strength. If the magnetic flux density perpendicular to the part marking surface is larger than operating point ( $B_{OP}$ ), the output will be turned on; if it is less than releasing point ( $B_{RP}$ ), the output will be turned off.

The AH9250 is available in industry standard TO92S (Type B) and SC59 packages.

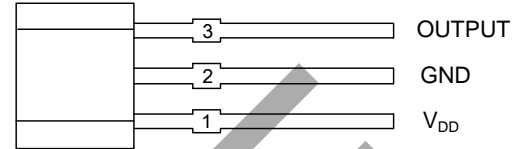
## Features

- Omnipolar Operation (Switching with North or South Poles)
- 2.5V to 5.5V Power Supply
- Micropower Operation
- Built in Pull-up Resistor on the Output
- Stabilized Chopper
- Superior Temperature Stability
- Digital Output Signal
- -40°C to +85°C Operating Temperature
- ESD (HBM): 5000V
- Small Low Profile Industry Standard SC59 and TO92S (Type B) Packages
- **Totally Lead-Free & Fully RoHS Compliant (Notes 1 & 2)**
- **Halogen and Antimony Free. "Green" Device (Note 3)**
- **For automotive applications requiring specific change control (i.e. parts qualified to AEC-Q100/101/104/200, PPAP capable, and manufactured in IATF 16949 certified facilities), please [contact us](mailto:contact@diodes.com) or your local Diodes representative. <https://www.diodes.com/quality/product-definitions/>**

Notes: 1. No purposely added lead. Fully EU Directive 2002/95/EC (RoHS), 2011/65/EU (RoHS 2) & 2015/863/EU (RoHS 3) compliant.  
 2. See <https://www.diodes.com/quality/lead-free/> for more information about Diodes Incorporated's definitions of Halogen- and Antimony-free, "Green" and Lead-free.  
 3. Halogen- and Antimony-free "Green" products are defined as those which contain <900ppm bromine, <900ppm chlorine (<1500ppm total Br + Cl) and <1000ppm antimony compounds.

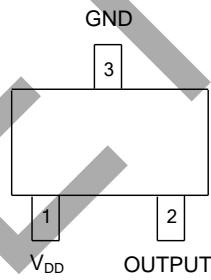
## Pin Assignments

(Front View)



TO92S (Type B)

(Top View)

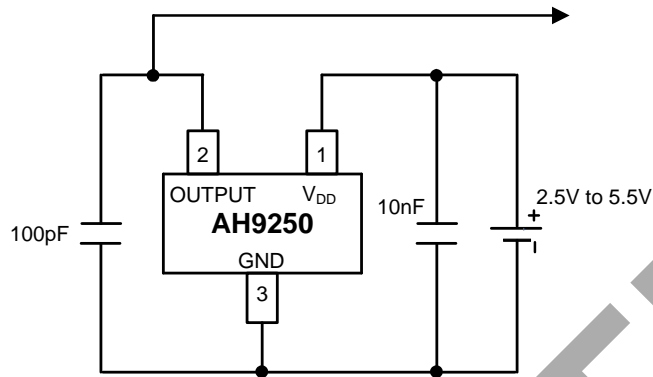


SC59

## Applications

- Cover switches in notebook PC/PDA
- Handheld wireless applications proximity detection switches
- Doors, lids, covers and tray position detect switches
- Liquid level detection
- Battery powered consumers, home appliances and industrial applications

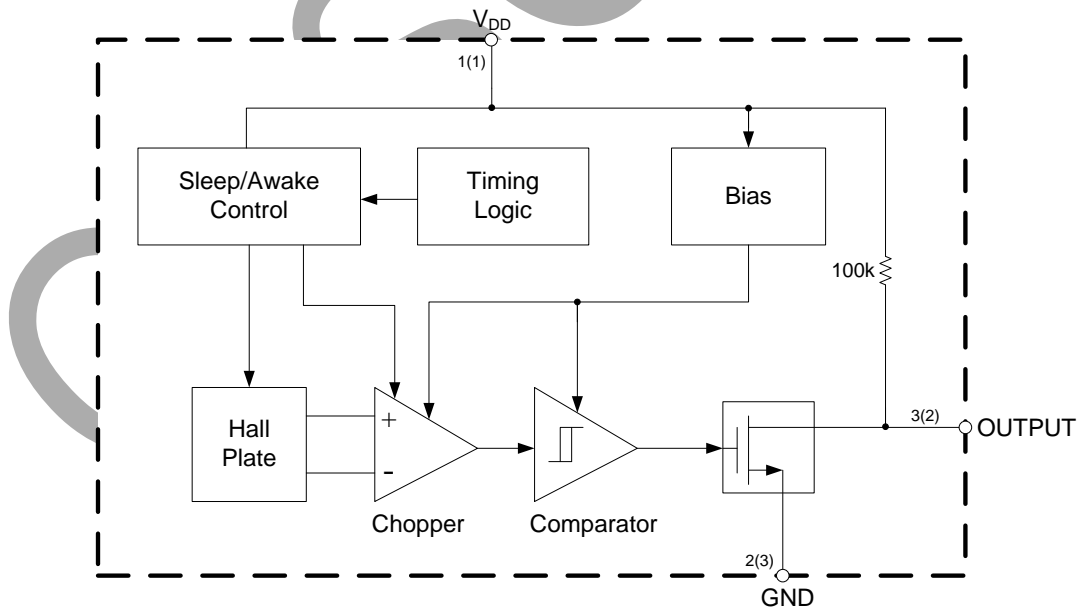
**Typical Applications Circuit**



**Pin Descriptions**

Pin Number		Pin Name	Function
TO92S (Type B)	SC59		
1	1	V <sub>DD</sub>	Power supply pin
2	3	GND	Ground pin
3	2	OUTPUT	Output pin

**Functional Block Diagram**



A (B)  
A for TO92S (Type B)  
B for SC59

**Absolute Maximum Ratings** (Note 4) (@T<sub>A</sub> = +25°C, unless otherwise specified.)

Symbol	Parameter	Rating		Unit
V <sub>DD</sub>	Supply Voltage (Note 5)	7		V
I <sub>DD</sub>	Supply Current (Fault)	6		mA
V <sub>OUT</sub>	Output Voltage	7		V
I <sub>OUT</sub>	Output Current	2		mA
B	Magnetic Flux Density	Unlimited		Gauss
P <sub>D</sub>	Power Dissipation	TO92S (Type B)	230	mW
		SC59	230	
T <sub>STG</sub>	Storage Temperature	-55 to +150		°C
T <sub>J</sub>	Junction Temperature	+150		°C
—	ESD (Human Body Model) (Note 6)	5000		V
—	ESD (Machine Model) (Note 6)	400		V

- Notes:
- Stresses greater than the 'Absolute Maximum Ratings' specified above can cause permanent damage to the device. These are stress ratings only; functional operation of the device at these or any other conditions exceeding those indicated in this specification is not implied. Device reliability can be affected by exposure to absolute maximum rating conditions for extended periods of time.
  - The absolute maximum V<sub>DD</sub> of 7V is a transient stress rating and is not meant as a functional operating condition. It is not recommended to operate the device at the absolute maximum rated conditions for any period of time.
  - Electronic semiconductor products are sensitive to Electro Static Discharge (ESD). Always observe Electro Static Discharge control procedures whenever handling semiconductor products.

**Recommended Operating Conditions**

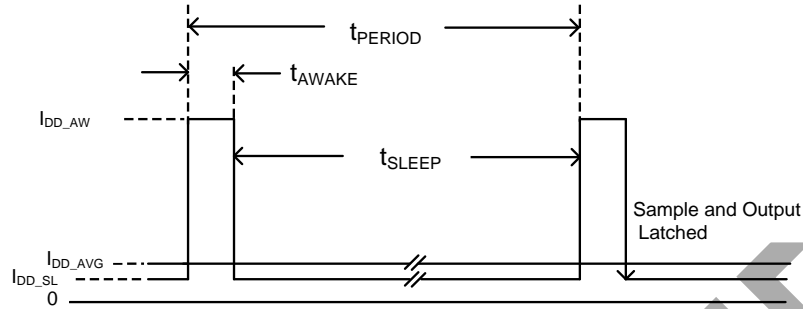
Symbol	Characteristic	Conditions	Min	Max	Unit
V <sub>DD</sub>	Supply Voltage	Operating	2.5	5.5	V
T <sub>A</sub>	Operating Temperature Range	Operating	-40	+85	°C

**Electrical Characteristics** (Note 7) (@T<sub>A</sub> = +25°C, V<sub>DD</sub> = 3V, unless otherwise specified.)

Symbol	Characteristic	Conditions	Min	Typ	Max	Unit
V <sub>DD</sub>	Supply Voltage	Operating	2.5	3	5.5	V
I <sub>DD_AW</sub>	Supply Current During "Awake" Period	T <sub>A</sub> = -40 to +85°C, V <sub>DD</sub> = 2.5V to 5.5V	—	1.8	3	mA
I <sub>DD_SL</sub>	Supply Current During "Sleep" Period	T <sub>A</sub> = -40 to +85°C, V <sub>DD</sub> = 2.5V to 5.5V	—	4	10	μA
I <sub>DD_AVG</sub>	Average Supply Current	T <sub>A</sub> = -40 to +85°C, V <sub>DD</sub> = 2.5V to 5.5V	—	8	15	μA
I <sub>OUT</sub>	Output Current	—	—	—	1.0	mA
I <sub>OFF</sub>	Output Leakage Current	V <sub>OUT</sub> = 5.5V, Output off	—	<0.1	1	μA
V <sub>OUT(SAT)</sub>	Output Saturation Voltage	I <sub>OUT</sub> = 1.0mA, Output on	—	—	0.4	V
t <sub>AW</sub>	Awake Mode Time	Operating	—	150	—	μs
t <sub>SL</sub>	Sleep Mode Time	Operating	—	100	—	ms
D	Duty Cycle	—	—	0.15	—	%
f <sub>C</sub>	Chopper Frequency	—	—	15	—	kHz

- Note: 7. Parameters values over operating temperature range are not tested in production, they are guaranteed by design, process control and characterization. The magnetic characteristics may vary with supply voltage, operating temperature and after soldering.

**Electrical Characteristics** (continued) (@ $T_A = +25^\circ\text{C}$ ,  $V_{DD} = 3\text{V}$ , unless otherwise specified.)



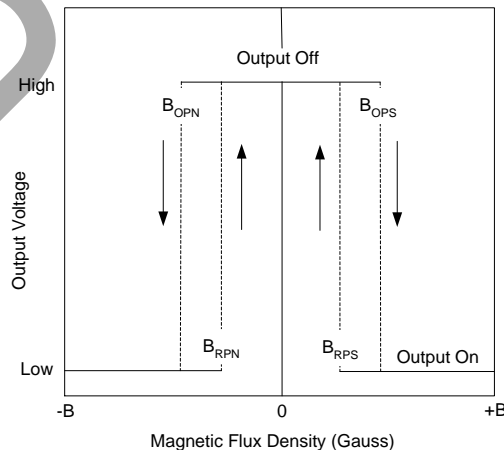
**Magnetic Characteristics** (Notes 8 & 9) (@ $T_A = -40^\circ\text{C}$  to  $+85^\circ\text{C}$ ,  $V_{DD} = 3\text{V}$ , unless otherwise specified.)

(1mT = 10 Gauss)

Symbol	Parameter	Conditions	Min	Typ	Max	Unit
B <sub>OPS</sub> (South Pole to Part Marking Side)	Operating Point	$B > B_{OPS}$ , $V_{OUT} = \text{Low}$ (output on)	30	40	50	Gauss
B <sub>OPN</sub> (North Pole to Part Marking Side)		$B > B_{OPN}$ , $V_{OUT} = \text{Low}$ (output on)	-50	-40	-30	Gauss
B <sub>RPS</sub> (South Pole to Part Marking Side)	Releasing Point	$B < B_{RPS}$ , $V_{OUT} = \text{High}$ (output off)	20	30	40	Gauss
B <sub>RPN</sub> (North Pole to Part Marking Side)		$B < B_{RPN}$ , $V_{OUT} = \text{High}$ (output off)	-40	-30	-20	Gauss
B <sub>HYS</sub> (   B <sub>OPX</sub> - B <sub>RPX</sub>   )	Hysteresis	(Note 9)	—	10	—	Gauss

- Notes:
- Parameters values over operating temperature range are not tested in production, they are guaranteed by design, process control and characterization. The magnetic characteristics may vary with supply voltage, operating temperature and after soldering.
  - Maximum and minimum hysteresis is guaranteed by design and characterization.  
B<sub>OPX</sub> = operating point (output turns on); B<sub>RPX</sub> = releasing point (output turns off)

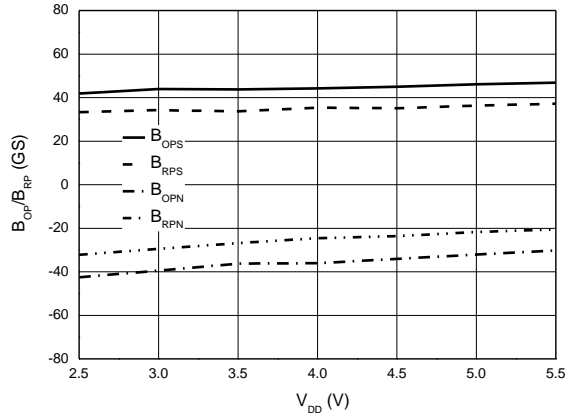
**Operating Characteristics**



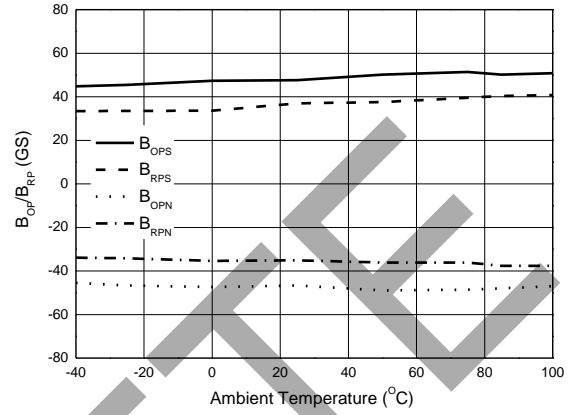
Output Voltage vs. Magnetic Flux Density

**Performance Characteristics**

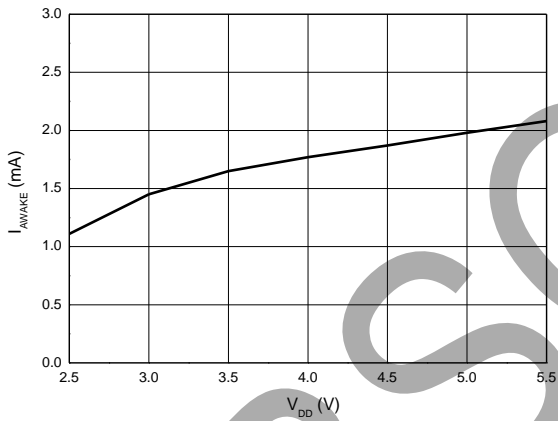
**B<sub>OP</sub>/B<sub>RP</sub> vs. Supply Voltage**



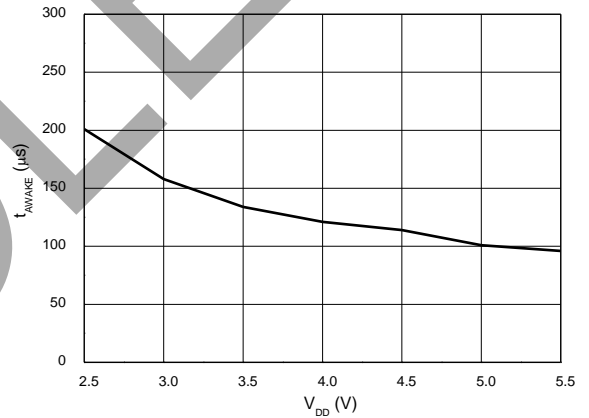
**B<sub>OP</sub>/B<sub>RP</sub> vs. Ambient Temperature**



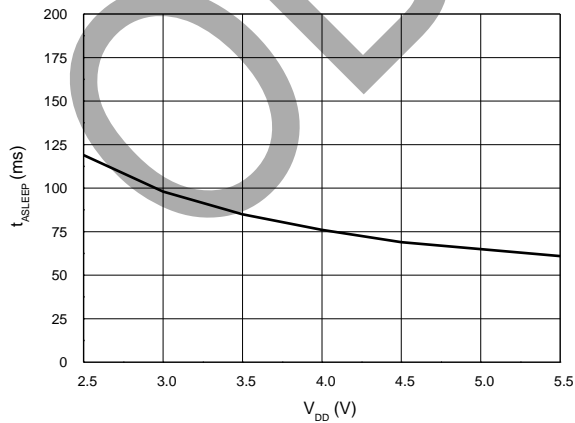
**Average Supply Current vs. Supply Voltage**



**Awake Mode Time vs. Supply Voltage**



**Sleep Mode Time vs. Supply Voltage**

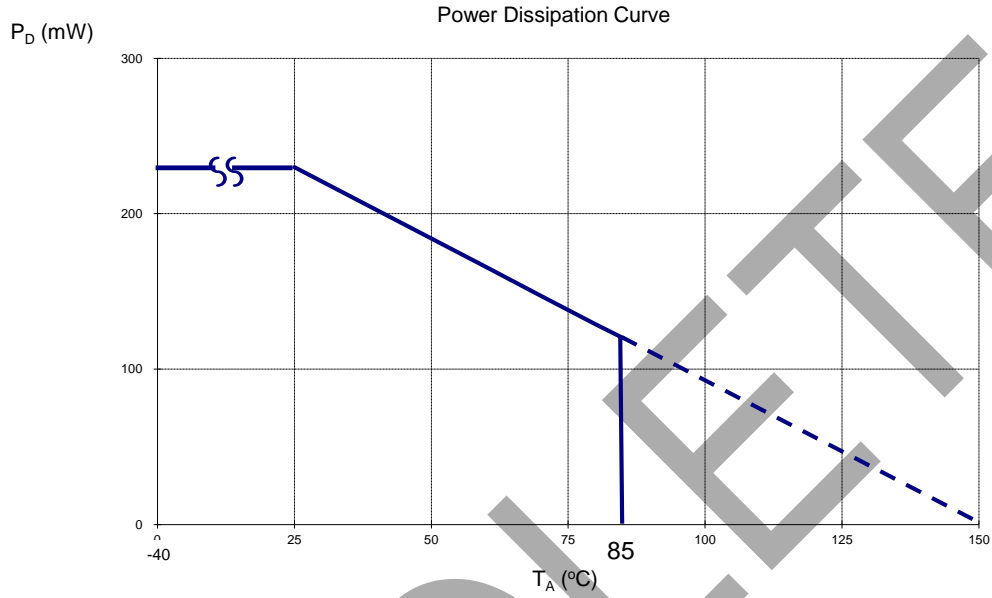


OBSOLETE - PART DISCONTINUED

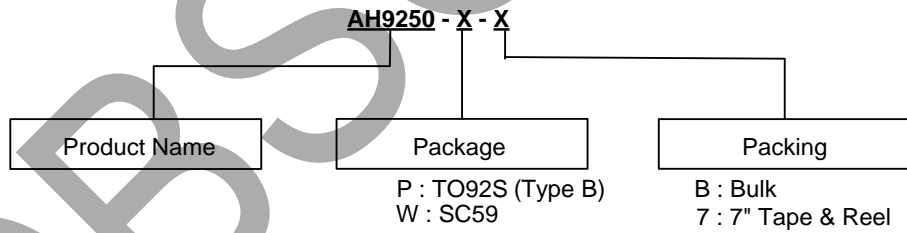
**Thermal Performance**

**Power Dissipation De-rating Curve**  
(1) Package Types: SC59 and TO92S (Type B)

T <sub>A</sub> (°C)	-40	0	25	50	60	70	80	85	90	100	110	120	130	140	150
P <sub>D</sub> (mW)	230	230	230	184	166	147	129	120	110	92	74	55	37	18	0



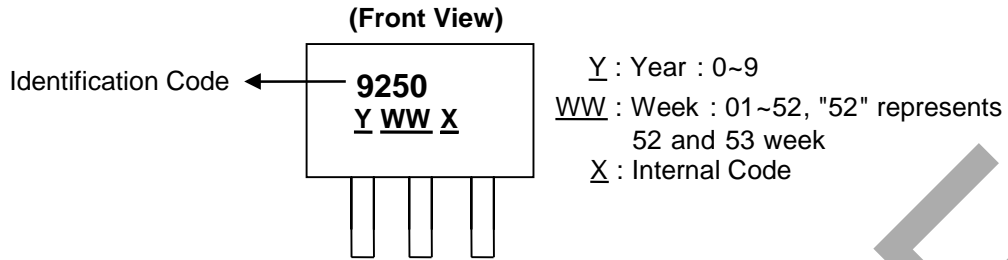
**Ordering Information**



Part Number	Package Code	Package	Packing	
			Qty.	Carrier
AH9250-P-B	P	TO92S (Type B)	1,000	Bulk
AH9250-W-7	W	SC59	3,000	7" Tape & Reel

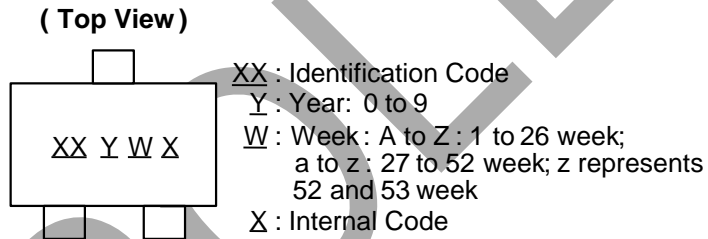
**Marking Information**

(1) Package Type: TO92S (Type B)



Part Number	Package	Identification Code
AH9250	TO92S (Type B)	9250

(2) Package Type: SC59

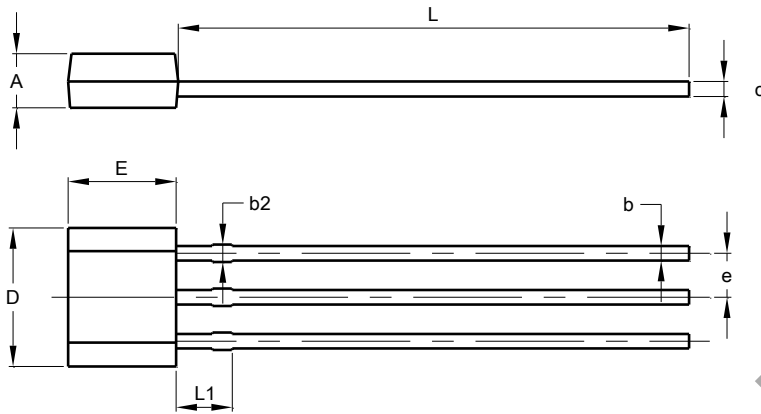


Part Number	Package	Identification Code
AH9250	SC59	HS

**Package Outline Dimensions**

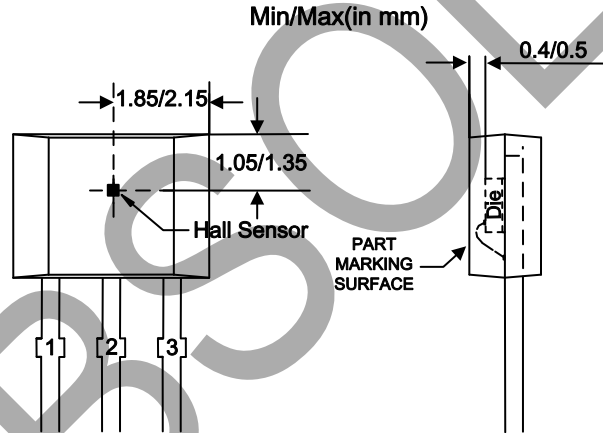
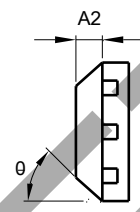
Please see <http://www.diodes.com/package-outlines.html> for the latest version.

(1) Package Type: TO92S (Type B)



TO92S (Type B)			
Dim	Min	Max	Typ
A	1.420	1.620	-
A2	-	-	0.750
b	0.360	0.480	-
b2	0.380	0.550	-
c	0.360	0.510	-
D	3.850	4.150	-
E	2.900	3.310	-
e	-	-	1.270
L	14.000	15.500	-
L1	-	-	1.600
θ	44°	46°	-

All Dimensions in mm



Sensor Location

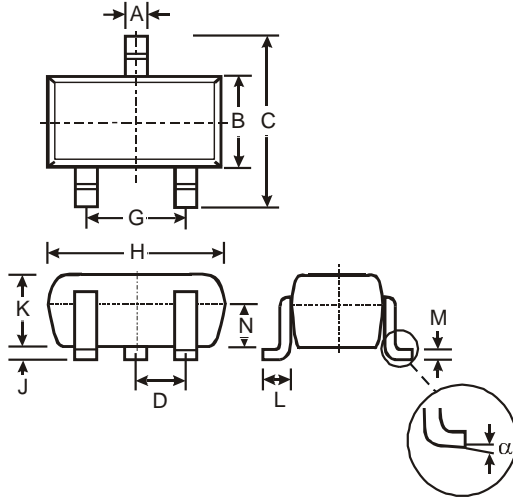
OBSOLETE - PART DISCONTINUED



**Package Outline Dimensions** (continued)

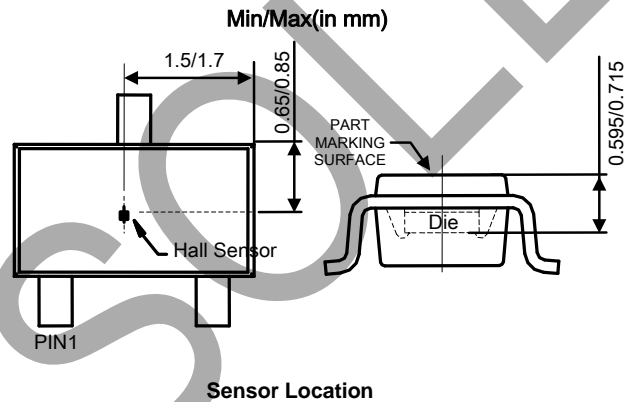
Please see <http://www.diodes.com/package-outlines.html> for the latest version.

(2) Package Type: SC59



SC59			
Dim	Min	Max	Typ
A	0.35	0.50	0.38
B	1.50	1.70	1.60
C	2.70	3.00	2.80
D	-	-	0.95
G	-	-	1.90
H	2.90	3.10	3.00
J	0.013	0.10	0.05
K	1.00	1.30	1.10
L	0.35	0.55	0.40
M	0.10	0.20	0.15
N	0.70	0.80	0.75
$\alpha$	0°	8°	-

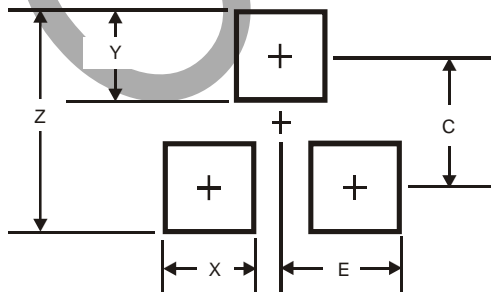
All Dimensions in mm



**Suggested Pad Layout**

Please see <http://www.diodes.com/package-outlines.html> for the latest version.

Package Type: SC59



Dimensions	Value (in mm)
Z	3.4
X	0.8
Y	1.0
C	2.4
E	1.35

OBSOLETE - PART DISCONTINUED

**IMPORTANT NOTICE**

1. DIODES INCORPORATED (Diodes) AND ITS SUBSIDIARIES MAKE NO WARRANTY OF ANY KIND, EXPRESS OR IMPLIED, WITH REGARDS TO ANY INFORMATION CONTAINED IN THIS DOCUMENT, INCLUDING, BUT NOT LIMITED TO, THE IMPLIED WARRANTIES OF MERCHANTABILITY, FITNESS FOR A PARTICULAR PURPOSE OR NON-INFRINGEMENT OF THIRD PARTY INTELLECTUAL PROPERTY RIGHTS (AND THEIR EQUIVALENTS UNDER THE LAWS OF ANY JURISDICTION).
2. The Information contained herein is for informational purpose only and is provided only to illustrate the operation of Diodes' products described herein and application examples. Diodes does not assume any liability arising out of the application or use of this document or any product described herein. This document is intended for skilled and technically trained engineering customers and users who design with Diodes' products. Diodes' products may be used to facilitate safety-related applications; however, in all instances customers and users are responsible for (a) selecting the appropriate Diodes products for their applications, (b) evaluating the suitability of Diodes' products for their intended applications, (c) ensuring their applications, which incorporate Diodes' products, comply the applicable legal and regulatory requirements as well as safety and functional-safety related standards, and (d) ensuring they design with appropriate safeguards (including testing, validation, quality control techniques, redundancy, malfunction prevention, and appropriate treatment for aging degradation) to minimize the risks associated with their applications.
3. Diodes assumes no liability for any application-related information, support, assistance or feedback that may be provided by Diodes from time to time. Any customer or user of this document or products described herein will assume all risks and liabilities associated with such use, and will hold Diodes and all companies whose products are represented herein or on Diodes' websites, harmless against all damages and liabilities.
4. Products described herein may be covered by one or more United States, international or foreign patents and pending patent applications. Product names and markings noted herein may also be covered by one or more United States, international or foreign trademarks and trademark applications. Diodes does not convey any license under any of its intellectual property rights or the rights of any third parties (including third parties whose products and services may be described in this document or on Diodes' website) under this document.
5. Diodes' products are provided subject to Diodes' Standard Terms and Conditions of Sale (<https://www.diodes.com/about/company/terms-and-conditions/terms-and-conditions-of-sales/>) or other applicable terms. This document does not alter or expand the applicable warranties provided by Diodes. Diodes does not warrant or accept any liability whatsoever in respect of any products purchased through unauthorized sales channel.
6. Diodes' products and technology may not be used for or incorporated into any products or systems whose manufacture, use or sale is prohibited under any applicable laws and regulations. Should customers or users use Diodes' products in contravention of any applicable laws or regulations, or for any unintended or unauthorized application, customers and users will (a) be solely responsible for any damages, losses or penalties arising in connection therewith or as a result thereof, and (b) indemnify and hold Diodes and its representatives and agents harmless against any and all claims, damages, expenses, and attorney fees arising out of, directly or indirectly, any claim relating to any noncompliance with the applicable laws and regulations, as well as any unintended or unauthorized application.
7. While efforts have been made to ensure the information contained in this document is accurate, complete and current, it may contain technical inaccuracies, omissions and typographical errors. Diodes does not warrant that information contained in this document is error-free and Diodes is under no obligation to update or otherwise correct this information. Notwithstanding the foregoing, Diodes reserves the right to make modifications, enhancements, improvements, corrections or other changes without further notice to this document and any product described herein. This document is written in English but may be translated into multiple languages for reference. Only the English version of this document is the final and determinative format released by Diodes.
8. Any unauthorized copying, modification, distribution, transmission, display or other use of this document (or any portion hereof) is prohibited. Diodes assumes no responsibility for any losses incurred by the customers or users or any third parties arising from any such unauthorized use.
9. This Notice may be periodically updated with the most recent version available at <https://www.diodes.com/about/company/terms-and-conditions/important-notice>

DIODES is a trademark of Diodes Incorporated in the United States and other countries.  
The Diodes logo is a registered trademark of Diodes Incorporated in the United States and other countries.  
© 2022 Diodes Incorporated. All Rights Reserved.

[www.diodes.com](http://www.diodes.com)