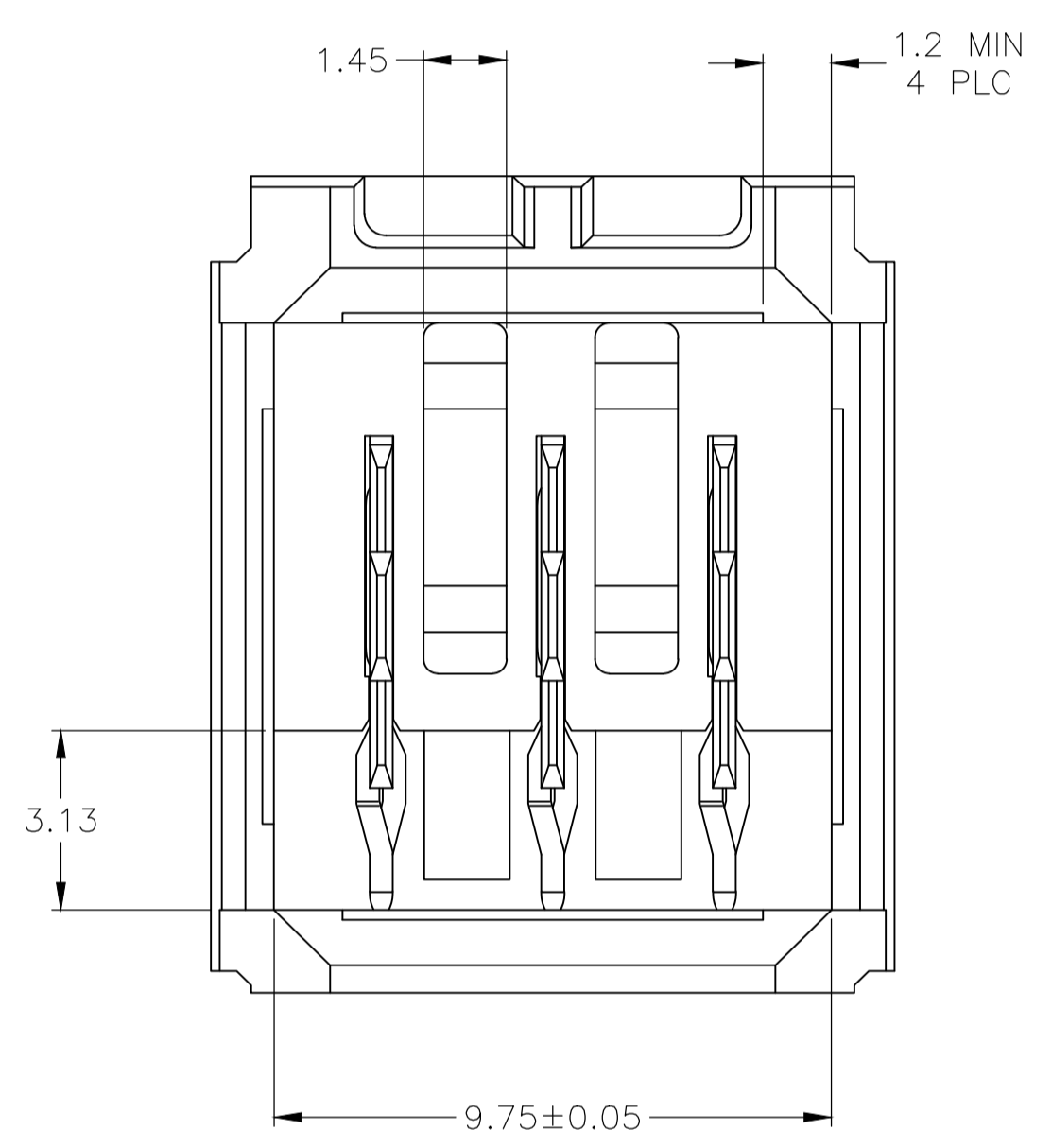
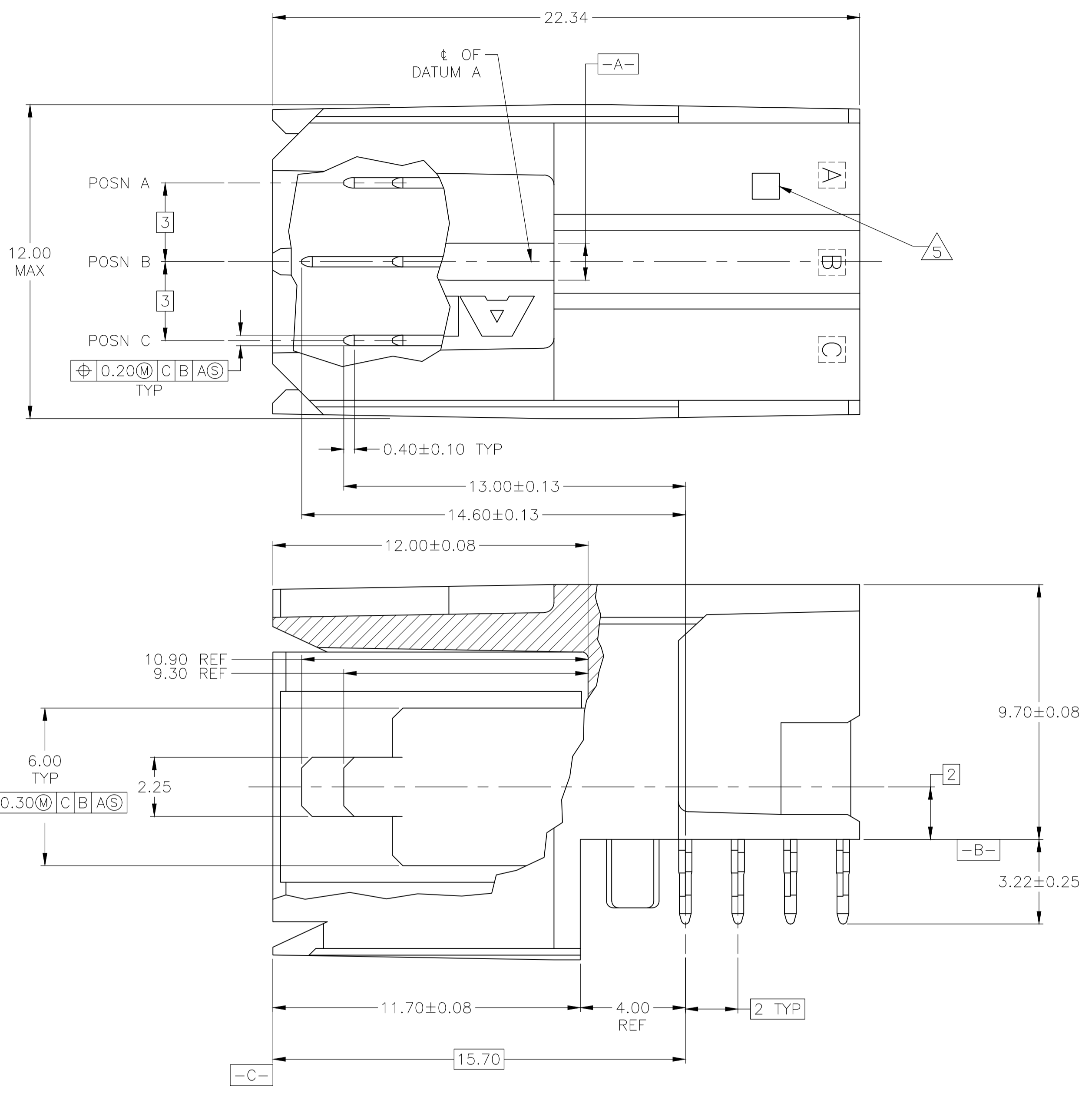
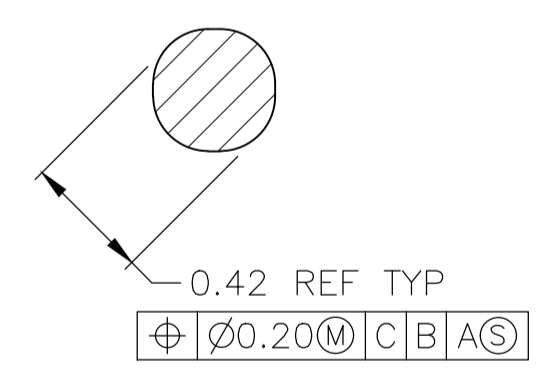
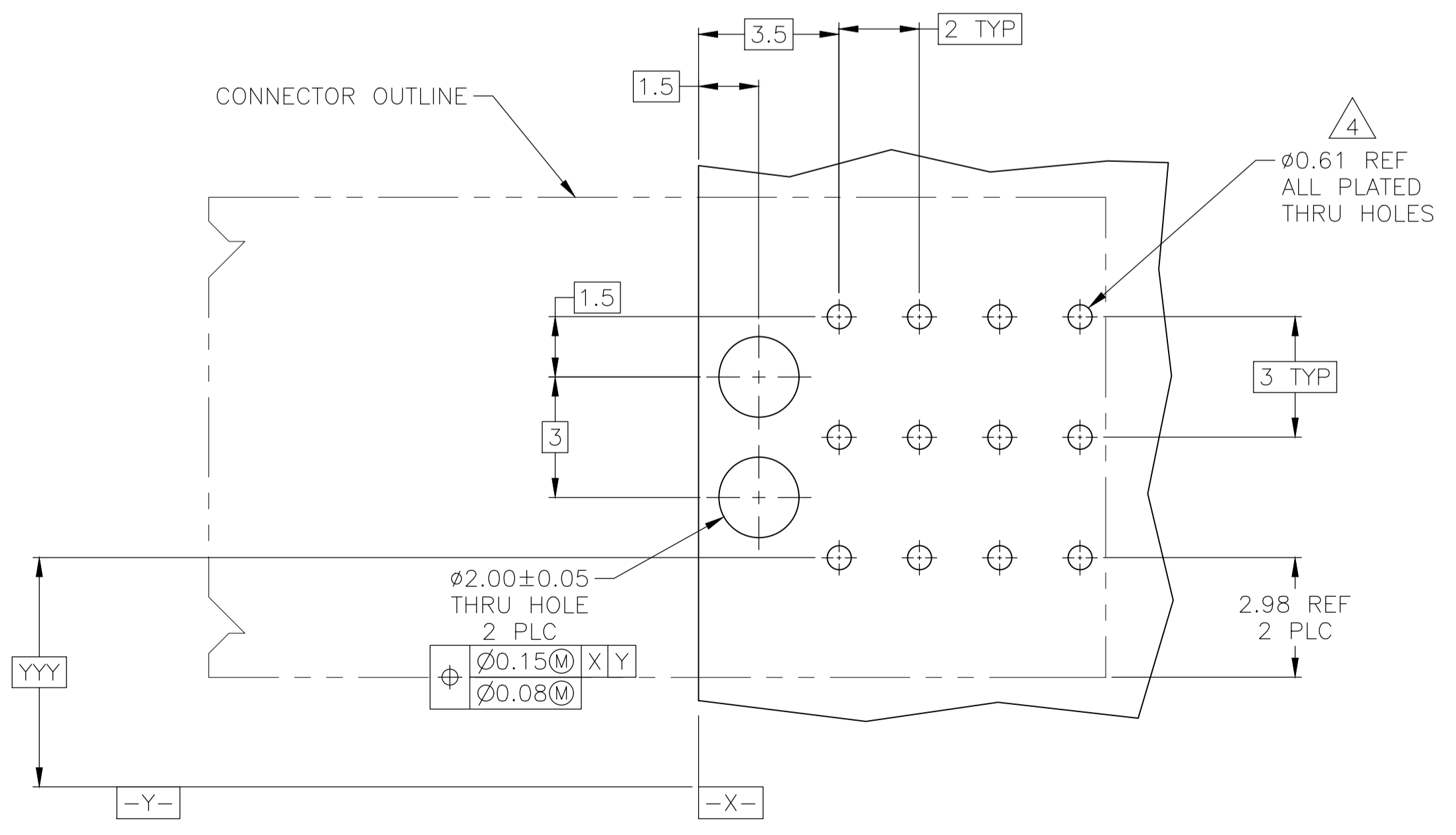
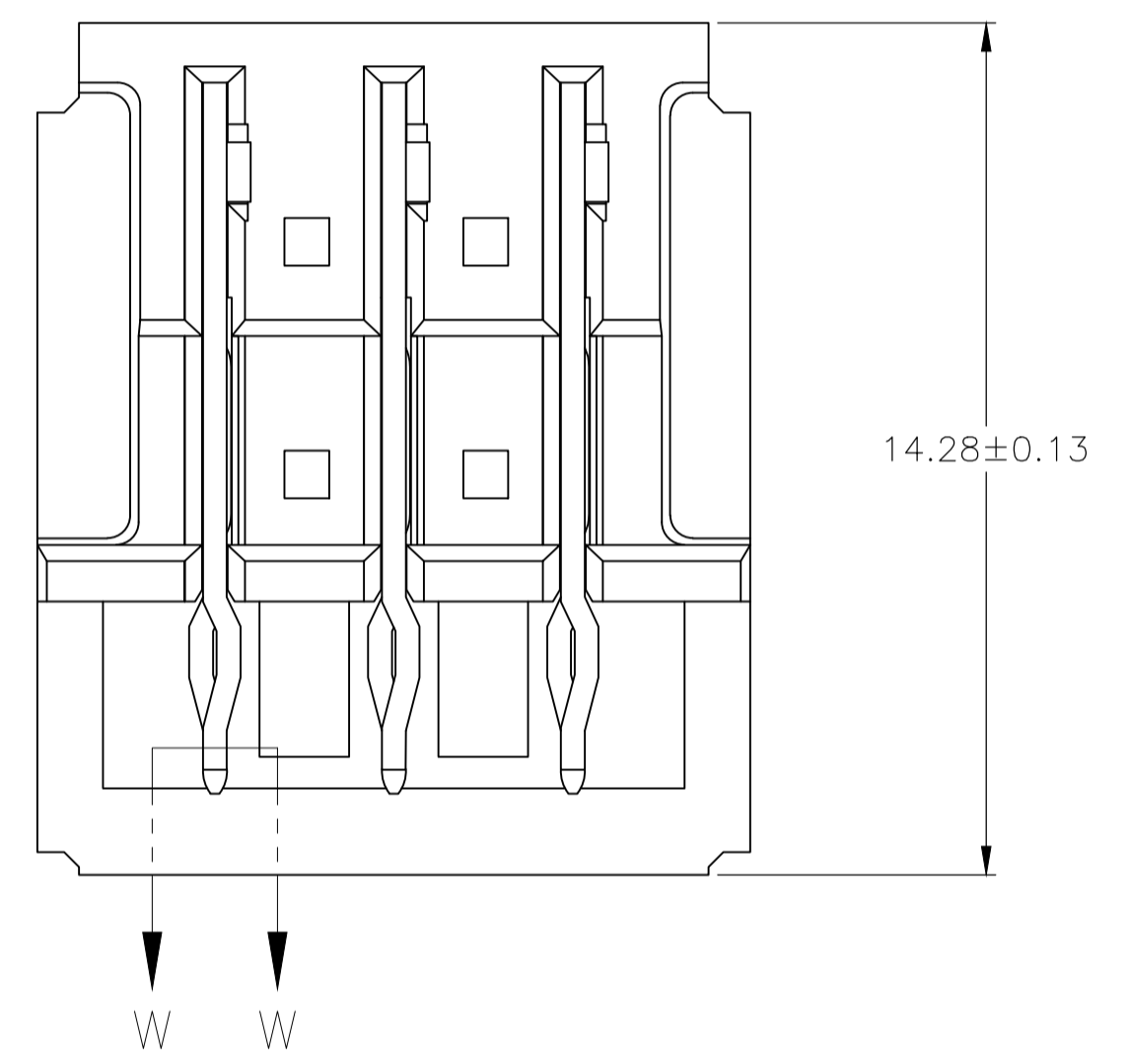


LOC		DIST		REVISIONS			
AD	00	REV	DATE	BY	CHK	APPV	
C2	REVISED PER ECO-20-004668		27MAY2020	ML		SZ	



- 1 HOUSING: POLYESTER, GRAY. UL 94V-0. CONTACT: PHOSPHOR BRONZE.
- 2 FINISH: IN ACCORDANCE WITH PRODUCT SPECIFICATION 108-1651, GOLD PLATING OR EQUIVALENT PLATING ON PRODUCT CONTACT MATING AREA, AND MATTE TIN PLATING ON COMPLIANT PIN AREA, ALL OVER MATTE NICKEL UNDERPLATED. DETAIL PLEASE REFER TO PRODUCT SPECIFICATION 108-1651.
- 3 CONTACT LUBRICATION WITH BELCORE APPROVED LUBRICANT. TECHNICAL REFERENCE: TR-NWT-001217 ISSUE 1, SEPT 1992.
- 4 REFERENCE APPLICATION SPEC 114-1103 FOR RECOMMENDED PLATED THRU HOLE DIAMETER AND PLATING THICKNESS.
- 5 NUMBER "2" MARKED IN THIS AREA.
- 6 HOUSING: POLYESTER, GRAY. UL 94V-0. CONTACT: HIGH CONDUCTIVITY COPPER ALLOY.
- 7 CURRENT RATING 10A/CONTACT FOR PHOS BRONZE CONTACT AND 16A/CONTACT FOR HIGH CURRENT COPPER ALLOY CONTACTS PER PRODUCT SPEC 108-1651.



SECTION W-W  
SCALE 40:1

RECOMMENDED PCB HOLE LAYOUT

DESCRIPTION	REMARKS	PART NUMBER
UPM HC 3P CONN	[1][2][3]	5-5223963-1
UPM STD 3P CONN	[1][2][3]	5223963-7
UPM STD 3P CONN	[1][2][3]	5223963-1

THIS DRAWING IS A CONTROLLED DOCUMENT.		DIN B CARBO 29OCT04		REVISED PER ECO-20-004668	
DIMENSIONS: mm		TOLERANCES UNLESS OTHERWISE SPECIFIED:		SIZE: A1	
0 PLC ± -		1 PLC ± -		SCALE: 8:1	
1 PLC ± -		2 PLC ± 0.13		SHEET: 1 of 1	
2 PLC ± -		3 PLC ± -		REV: C2	
3 PLC ± -		4 PLC ± -		CUSTOMER DRAWING	
4 PLC ± -		ANGLES ± -		DRAWING NO: 5223963	
FINISH: SEE TABLE		MATERIAL: SEE TABLE		WEIGHT: -	
REVISED PER ECO-20-004668		DATE: 27MAY2020		BY: ML	
DRAWING NO: 5223963		PART NO: 5-5223963-1		PRODUCT SPEC: 108-1651	
APPLICATION SPEC: 114-1101		CAGE CODE: -		RESTRICTED TO: -	