

# TLIN2027-Q1 Fault Protected LIN Transceiver without Dominant State Timeout

## 1 Features

- AEC-Q100 Qualified for automotive applications
  - Temperature grade 1:  $-40^{\circ}\text{C}$  to  $125^{\circ}\text{C}$   $T_A$
  - Device HBM certification level:  $\pm 8$  kV
  - Device CDM certification level:  $\pm 1.5$  kV
- Compatible with LIN 2.0, LIN 2.1, LIN 2.2, LIN 2.2 A and ISO/DIS 17987–4 (See Switching Characteristics)
- Compatible with SAE J2602 recommended practice for LIN
- Supports ISO 9141 (K-Line)
- Supports 24 V applications
- LIN transmit data rate up to 20-kbps
- Wide operating ranges
  - 4-V to 48-V Supply voltage
  - $\pm 60$ -V LIN bus fault protection
- Sleep mode: ultra-low current consumption allows wake-up event from:
  - LIN bus
  - Local wake-up through EN
- No dominant state timeout
- Power up and down glitch free operation
- Protection features:
  - Under voltage protection on  $V_{SUP}$
  - Thermal shutdown protection
  - Unpowered node or ground disconnection failsafe at system level.
- Available in SOIC (8) and leadless VSON (8) packages for improved automated optical inspection (AOI) capability

## 2 Applications

- [Body electronics and lighting](#)
- [Infotainment and cluster](#)
- [Hybrid electric vehicles and power train systems](#)
- [Passive safety](#)
- [Appliances](#)

## 3 Description

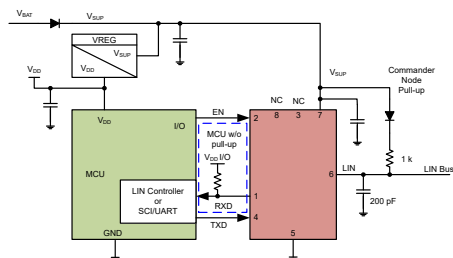
The TLIN2027-Q1 is a local interconnect network (LIN) physical layer transceiver with integrated wake-up and protection features, compatible with LIN 2.0, LIN 2.1, LIN 2.2, LIN 2.2 A and ISO/DIS 17987–4 standards. LIN is a single-wire bidirectional bus typically used for in-vehicle networks using data rates up to 20 kbps. The TLIN2027-Q1 is designed to support 24-V applications with wider operating voltage and additional bus-fault protection.

The LIN receiver supports data rates up to 100 kbps for faster in-line programming. The TLIN2027-Q1 converts the data stream on the TXD input into a LIN bus signal using a current-limited wave-shaping driver which reduces electromagnetic emissions (EME). The receiver converts the data stream to logic level signals that are sent to the microprocessor through the open-drain RXD pin. Ultra-low current consumption is possible when using the sleep mode, which allows wake-up through LIN bus or EN pin.

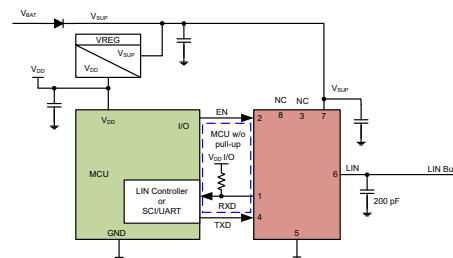
### Device Information

PART NUMBER	PACKAGE <sup>(1)</sup>	BODY SIZE (NOM)
TLIN2027-Q1	SOIC (D) (8)	4.90 mm x 3.91 mm
	VSON (DRB) (8)	3.00 mm x 3.00 mm

- (1) For all available packages, see the orderable addendum at the end of the data sheet.



**Simplified Schematics, Commander Mode**



**Simplified Schematics, Responder Mode**



## Table of Contents

<b>1 Features</b> .....	1	9.2 Functional Block Diagram.....	21
<b>2 Applications</b> .....	1	9.3 Feature Description.....	21
<b>3 Description</b> .....	1	9.4 Device Functional Modes.....	25
<b>4 Revision History</b> .....	2	<b>10 Application and Implementation</b> .....	27
<b>5 Description (continued)</b> .....	2	10.1 Application Information.....	27
<b>6 Pin Configuration and Functions</b> .....	3	10.2 Typical Application.....	27
<b>7 Specifications</b> .....	4	<b>11 Power Supply Recommendations</b> .....	28
7.1 Absolute Maximum Ratings .....	4	<b>12 Layout</b> .....	29
7.2 ESD Ratings .....	4	12.1 Layout Guidelines.....	29
7.3 ESD Ratings - IEC .....	4	12.2 Layout Example.....	30
7.4 Thermal Information .....	4	<b>13 Device and Documentation Support</b> .....	31
7.5 Recommended Operating Conditions .....	5	13.1 Documentation Support.....	31
7.6 Electrical Characteristics .....	5	13.2 Receiving Notification of Documentation Updates..	31
7.7 Switching Characteristics .....	7	13.3 Support Resources.....	31
7.8 Timing Requirements .....	9	13.4 Trademarks.....	31
7.9 Typical Characteristics.....	10	13.5 Electrostatic Discharge Caution.....	31
<b>8 Parameter Measurement Information</b> .....	12	13.6 Glossary.....	32
<b>9 Detailed Description</b> .....	21	<b>14 Mechanical, Packaging, and Orderable Information</b> .....	32
9.1 Overview.....	21		

## 4 Revision History

NOTE: Page numbers for previous revisions may differ from page numbers in the current version.

Changes from Revision B (December 2021) to Revision C (March 2022)	Page
• Deleted the Notes following the Schematic images.....	1
• Changed $V_{\text{LOGIC}}$ absolute maximum rating MAX from 5.5 V to 6 V.....	4

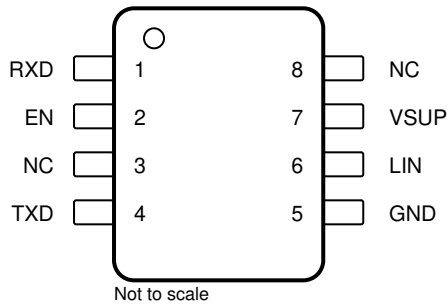
Changes from Revision A (October 2020) to Revision B (December 2021)	Page
• Changed <i>Feature</i> from: Supports 12 V applications to: Supports 24 V applications.....	1
• Changed <i>Feature</i> from: 4-V to 36-V Supply voltage to: 4-V to 48-V Supply voltage.....	1
• Changed <i>Feature</i> from: $\pm 45$ -V LIN bus fault protection to: $\pm 60$ -V LIN bus fault protection.....	1
• Globally changed Leader to Commander.....	1
• Globally changed Follower to Responder.....	1
• Changed ISO/DIS 17987–4.2 standards To ISO/DIS 17987–4 standards in the <i>Description</i> .....	1
• Changed ISO/DIS 17987–4.2 standards To ISO/DIS 17987–4 standards in the <i>Overview</i> .....	21
• Changed ISO/DIS 17987–1.2 standards To ISO/DIS 17987–1 standards in the <i>Related Documentation</i> .....	31
• Changed ISO/DIS 17987–4.2 standards To ISO/DIS 17987–4 standards in the <i>Related Documentation</i> .....	31

Changes from Revision * (July 2020) to Revision A (October 2020)	Page
• Changed $R_{\text{EN}}$ typical from 350 k $\Omega$ to 205 k $\Omega$ .....	5
• Changed $TH_{\text{REC(MIN)}}$ 0.442 to 0.422.....	7

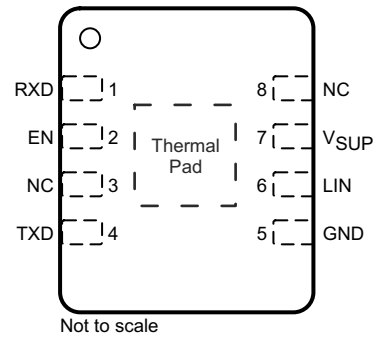
## 5 Description (continued)

The integrated resistor, electrostatic discharge (ESD) and fault protection allows designers to save board space in their applications.

## 6 Pin Configuration and Functions



**Figure 6-1. D Package, 8-Pin (SOIC), Top View**



**Figure 6-2. DRB Package, 8-Pin (VSON), Top View**

**Table 6-1. Pin Functions**

PIN		Type	DESCRIPTION
Name	No.		
RXD	1	DO	RXD output (open-drain) interface reporting state of LIN bus voltage
EN	2	DI	Enable input - High puts the device in normal operation mode and low puts the device in sleep mode
NC	3	–	Not connected
TXD	4	DI	TXD input interface to control state of LIN output - Internally pulled to ground
GND	5	GND	Ground
LIN	6	HV I/O	LIN bus single-wire transmitter and receiver
V <sub>SUP</sub>	7	HV Supply	Device supply voltage (connected to battery in series with external reverse blocking diode)
NC	8	–	Not connected
Thermal Pad		-	No electrical connection. Can be connected to the PCB to improve thermal coupling (DRB package only)

## 7 Specifications

### 7.1 Absolute Maximum Ratings

parameters valid across  $-40^{\circ}\text{C} \leq T_A \leq 125^{\circ}\text{C}$  (unless otherwise noted)<sup>(1)</sup>

Symbol	Parameter	MIN	MAX	UNIT
V <sub>SUP</sub>	Supply voltage range (ISO/DIS 17987 Param 10)	-0.3	60	V
V <sub>LIN</sub>	LIN bus input voltage (ISO/DIS 17987 Param 82)	-60	60	V
V <sub>LOGIC</sub>	Logic pin voltage (RXD, TXD, EN)	-0.3	6	V
T <sub>A</sub>	Ambient temperature range	-40	125	°C
T <sub>J</sub>	Junction temperature range	-55	150	°C

- (1) Stresses beyond those listed under Absolute Maximum Ratings may cause permanent damage to the device. These are stress ratings only, which do not imply functional operation of the device at these or any other conditions beyond those indicated under Recommended Operating Conditions. Exposure to absolute-maximum-rated conditions for extended periods may affect device reliability.

### 7.2 ESD Ratings

ESD Ratings			VALUE	UNIT
V <sub>(ESD)</sub>	Electrostatic discharge	Human body model (HBM) TXD, RXD, EN Pins, per AEC Q100-002 <sup>(1)</sup>	±4000	V
		Human body model (HBM) LIN and V <sub>SUP</sub> Pin, per AEC Q100-002 <sup>(2)</sup>	±8000	
		Charged device model (CDM), per AEC Q100-011	All terminals	

- (1) JEDEC document JEP155 states that 500-V HBM allows safe manufacturing with a standard ESD control process.  
 (2) LIN bus is stressed with respect to GND.

### 7.3 ESD Ratings - IEC

ESD and Surge Protection Ratings			VALUE	UNIT
V <sub>(ESD)</sub>	Electrostatic discharge	ISO 10605 per IEC 62228-3 Contact discharge	±8000	V
V <sub>(ESD)</sub>	Powered ESD Performance, per SAEJ2962-1 <sup>(1)</sup>	contact discharge	±8000	V
		air-gap discharge	±25000	
ISO 7637-2 and IEC 62215-3 transients according to IBEE LIN EMC test specifications <sup>(2)</sup> (LIN and V <sub>SUP</sub> )		Pulse 1	-100	V
		Pulse 2	75	V
		Pulse 3a	-150	V
		Pulse 3b	100	V

- (1) SAEJ2962-1 Testing performed at 3rd party EMC test facility, test report available upon request.  
 (2) ISO 7637 is a system level transient test. Different system level configurations may lead to different results.

### 7.4 Thermal Information

THERMAL METRIC <sup>(1)</sup>		D (SOIC)	DRB (VSON)	UNIT
		8-PINS	8-PINS	
R <sub>ΘJA</sub>	Junction-to-ambient thermal resistance	115.5	48.5	°C/W
R <sub>ΘJC(top)</sub>	Junction-to-case (top) thermal resistance	58.7	55.5	°C/W
R <sub>ΘJB</sub>	Junction-to-board thermal resistance	58.9	22.2	°C/W
Ψ <sub>JT</sub>	Junction-to-top characterization parameter	14.1	1.2	°C/W
Ψ <sub>JB</sub>	Junction-to-board characterization parameter	58.2	22.2	°C/W
R <sub>ΘJC(bot)</sub>	Junction-to-case (bottom) thermal resistance	-	4.8	°C/W

- (1) For more information about traditional and new thermal metrics, see the Semiconductor and IC Package Thermal Metrics application report, SPRA953.

## 7.5 Recommended Operating Conditions

parameters valid across  $-40^{\circ}\text{C} \leq T_A \leq 125^{\circ}\text{C}$  (unless otherwise noted)

PARAMETER - DEFINITION		MIN	NOM	MAX	UNIT
$V_{\text{SUP}}$	Supply voltage	4		48	V
$V_{\text{LIN}}$	LIN Bus input voltage	0		48	V
$V_{\text{LOGIC}}$	Logic Pin Voltage (RXD, TXD, EN)	0		5.25	V
TSD	Thermal shutdown temperature	165			$^{\circ}\text{C}$
TSD <sub>(HYS)</sub>	Thermal shutdown hysteresis		15		$^{\circ}\text{C}$

## 7.6 Electrical Characteristics

parameters valid across  $-40^{\circ}\text{C} \leq T_A \leq 125^{\circ}\text{C}$  (unless otherwise noted)

PARAMETER	TEST CONDITIONS		MIN	TYP	MAX	UNIT
<b>Power Supply</b>						
$V_{\text{SUP}}$	Operational supply voltage (ISO/DIS 17987 Param 10, 53)	Device is operational beyond the LIN defined nominal supply voltage range. See <a href="#">Figure 8-1</a> and <a href="#">Figure 8-2</a>	4		48	V
$V_{\text{SUP}}$	Nominal supply voltage (ISO/DIS 17987 Param 10, 53)	Normal and Standby Modes: ramp $V_{\text{SUP}}$ while LIN signal is a 10 kHz square wave with 50 % duty cycle and 36V swing. See <a href="#">Figure 8-1</a> and <a href="#">Figure 8-2</a>	4		48	V
		Sleep Mode	4		48	V
$UV_{\text{SUP}}$	Under voltage $V_{\text{SUP}}$ threshold	Min is falling edge and Max is rising edge	2.9		3.85	V
$UV_{\text{HYS}}$	Delta hysteresis voltage for $V_{\text{SUP}}$ under voltage threshold			0.2		V
$I_{\text{SUP}}$	Supply current	Normal Mode: EN = high, bus dominant: total bus load where $R_{\text{LIN}} > 500 \Omega$ and $C_{\text{LIN}} < 10 \text{ nF}$ (See <a href="#">Figure 8-7</a> )			5	mA
		Standby Mode: EN = low, bus dominant: total bus load where $R_{\text{LIN}} > 500 \Omega$ and $C_{\text{LIN}} < 10 \text{ nF}$ (See <a href="#">Figure 8-7</a> )		1	2.1	mA
$I_{\text{SUP}}$	Supply current	Normal Mode: EN = high, bus recessive (LIN = $V_{\text{SUP}}$ )		400	700	$\mu\text{A}$
		Standby Mode: EN = low, bus recessive (LIN = $V_{\text{SUP}}$ )		20	35	$\mu\text{A}$
		Sleep Mode: $4.0 \text{ V} < V_{\text{SUP}} \leq 27 \text{ V}$ , LIN = $V_{\text{SUP}}$ , EN = 0 V, TXD and RXD floating		9	15	$\mu\text{A}$
		Sleep Mode: $27 \text{ V} < V_{\text{SUP}} \leq 48 \text{ V}$ , LIN = $V_{\text{SUP}}$ , EN = 0 V, TXD and RXD floating			30	$\mu\text{A}$
TSD	Thermal shutdown		165		$^{\circ}\text{C}$	
TSD <sub>(HYS)</sub>	Thermal shutdown hysteresis			15	$^{\circ}\text{C}$	
<b>RXD OUTPUT PIN (OPEN DRAIN)</b>						
$V_{\text{OL}}$	Output low voltage	$R_{\text{PU}} = 2.4 \text{ k}\Omega$			0.6	V
$I_{\text{OL}}$	Low level output current, open drain	LIN = 0 V, RXD = 0.4 V	1.5			mA
$I_{\text{ILG}}$	Leakage current, high-level	LIN = $V_{\text{SUP}}$ , RXD = 5 V	-5	0	5	$\mu\text{A}$
<b>TXD INPUT PIN</b>						
$V_{\text{IL}}$	Low level input voltage		-0.3		0.8	V
$V_{\text{IH}}$	High level input voltage		2		5.5	V
$I_{\text{ILG}}$	Low level input leakage current	TXD = low	-5	0	5	$\mu\text{A}$
$R_{\text{TXD}}$	Internal pull-down resistor value		125	350	800	k $\Omega$
<b>LIN PIN</b>						

## 7.6 Electrical Characteristics (continued)

parameters valid across  $-40^{\circ}\text{C} \leq T_A \leq 125^{\circ}\text{C}$  (unless otherwise noted)

PARAMETER		TEST CONDITIONS	MIN	TYP	MAX	UNIT
V <sub>OH</sub>	HIGH level output voltage	LIN recessive, TXD = high, I <sub>O</sub> = 0 mA, V <sub>SUP</sub> = 7 V to 48 V <sup>(1)</sup>	0.85			V <sub>SUP</sub>
		LIN recessive, TXD = high, I <sub>O</sub> = 0 mA, V <sub>SUP</sub> = 4 V ≤ V <sub>SUP</sub> < 7 V <sup>(1)</sup>	3			V
V <sub>OL</sub>	LOW level output voltage	LIN dominant, TXD = low, V <sub>SUP</sub> = 7 V to 48 V <sup>(1)</sup>			0.2	V <sub>SUP</sub>
		LIN dominant, TXD = low, V <sub>SUP</sub> = 4 V ≤ V <sub>SUP</sub> < 7 V <sup>(1)</sup>			1.2	V
V <sub>SUP_NON_OP</sub>	VSUP where impact of recessive LIN bus < 5% (ISO/DIS 17987 Param 11, 54/56)	TXD & RXD open LIN = 4 V to 58 V	-0.3		58	V
I <sub>BUS_LIM</sub>	Limiting current (ISO/DIS 17987 Param 12)	TXD = 0 V, V <sub>LIN</sub> = 36 V, R <sub>MEAS</sub> = 440 Ω, V <sub>SUP</sub> = 36 V, V <sub>BUSdom</sub> < 4.518 V See <a href="#">Figure 8-6</a>	40	90	200	mA
I <sub>BUS_PAS_dom</sub>	Receiver leakage current, dominant (ISO/DIS 17987 Param 13, 58)	LIN = 0 V, V <sub>SUP</sub> = 24 V Driver off/ recessive <a href="#">Figure 8-7</a>	-1			mA
I <sub>BUS_PAS_rec1</sub>	Receiver leakage current, recessive (ISO/DIS 17987 Param 14, 59)	LIN > V <sub>SUP</sub> , 4 V ≤ V <sub>SUP</sub> ≤ 45 V Driver off; <a href="#">Figure 8-8</a>			20	μA
I <sub>BUS_PAS_rec2</sub>	Receiver leakage current, recessive (ISO/DIS 17987 Param 14, 59)	LIN = V <sub>SUP</sub> , Driver off; <a href="#">Figure 8-8</a>	-5		5	μA
I <sub>BUS_NO_GND</sub>	Leakage current, loss of ground (ISO/DIS 17987 Param 15, 60)	GND = V <sub>SUP</sub> , V <sub>SUP</sub> = 27 V, LIN = 0 V; <a href="#">Figure 8-9</a>	-1		1	mA
I <sub>BUS_NO_GND</sub>	Leakage current, loss of ground (ISO/DIS 17987 Param 15, 60)	GND = V <sub>SUP</sub> , V <sub>SUP</sub> ≥ 36 V, LIN = 0 V; <a href="#">Figure 8-9</a>	-1.5		1.5	mA
I <sub>BUS_NO_BAT</sub>	Leakage current, loss of supply (ISO/DIS 17987 Param 16, 61)	LIN = 48 V, V <sub>SUP</sub> = GND; <a href="#">Figure 8-10</a>			5	μA
V <sub>BUSdom</sub>	Low level input voltage (ISO/DIS 17987 Param 17, 62)	LIN dominant (including LIN dominant for wake up) See <a href="#">Figure 8-4</a> , <a href="#">Figure 8-3</a>			0.4	V <sub>SUP</sub>
V <sub>BUSrec</sub>	High level input voltage (ISO/DIS 17987 Param 18, 63)	LIN recessive See <a href="#">Figure 8-4</a> , <a href="#">Figure 8-3</a>	0.6			V <sub>SUP</sub>
V <sub>BUS_CNT</sub>	Receiver center threshold (ISO/DIS 17987 Param 19, 64)	V <sub>BUS_CNT</sub> = (V <sub>IL</sub> + V <sub>IH</sub> )/2 See <a href="#">Figure 8-4</a> , <a href="#">Figure 8-3</a>	0.475	0.5	0.525	V <sub>SUP</sub>
V <sub>HYS</sub>	Hysteresis voltage (ISO/DIS 17987 Param 20, 65)	V <sub>HYS</sub> = (V <sub>IL</sub> - V <sub>IH</sub> ) See <a href="#">Figure 8-4</a> , <a href="#">Figure 8-3</a>			0.175	V <sub>SUP</sub>
V <sub>SERIAL_DIODE</sub>	Serial diode LIN term pull-up path	By design and characterization	0.4	0.7	1	V
R <sub>PU-LIN</sub>	Internal pull-up resistor to V <sub>SUP</sub>	Normal and standby modes	20	45	60	kΩ
I <sub>RSLEEP</sub>	Pull-up current source to V <sub>SUP</sub>	Sleep mode, V <sub>SUP</sub> = 27 V, LIN = GND	-2		-20	μA
C <sub>LINPIN</sub>	Capacitance of the LIN pin	V <sub>SUP</sub> = 14 V			25	pF
<b>EN INPUT PIN</b>						
V <sub>IL</sub>	Low level input voltage		-0.3		0.8	V
V <sub>IH</sub>	High level input voltage		2		5.5	V
V <sub>IT</sub>	Hysteresis voltage	By design and characterization		50	500	mV
I <sub>ILG</sub>	Low level input current	EN = low	-5	0	5	μA
R <sub>EN</sub>	Internal pull-down resistor		125	205	800	kΩ

(1) LIN driver bus load conditions (C<sub>LIN</sub>, R<sub>LIN</sub>): No external load

## 7.7 Switching Characteristics

parameters valid across  $-40^{\circ}\text{C} \leq T_A \leq 125^{\circ}\text{C}$  (unless otherwise noted)

PARAMETER		TEST CONDITIONS	MIN	TYP	MAX	UNIT
D1 <sub>12V</sub>	Duty Cycle 1 (ISO/DIS 17987 Param 27) <sup>(1)</sup>	$T_{H_{REC}(MAX)} = 0.744 \times V_{SUP}$ , $T_{H_{DOM}(MAX)} = 0.581 \times V_{SUP}$ , $V_{SUP} = 4\text{ V to }7.4\text{ V}$ , $t_{BIT} = 50\ \mu\text{s}$ (20 kbps), $D1 = t_{BUS\_rec(min)}/(2 \times t_{BIT})$ (See <a href="#">Figure 8-11</a> , <a href="#">Figure 8-12</a> )	0.396			
D1 <sub>12V</sub>	Duty Cycle 1	$T_{H_{REC}(MAX)} = 0.625 \times V_{SUP}$ , $T_{H_{DOM}(MAX)} = 0.581 \times V_{SUP}$ , $V_{SUP} = 7.4\text{ V to }9.4\text{ V}$ , $t_{BIT} = 50\ \mu\text{s}$ (20 kbps), $D1 = t_{BUS\_rec(min)}/(2 \times t_{BIT})$ (See <a href="#">Figure 8-11</a> , <a href="#">Figure 8-12</a> )	0.368			
D1 <sub>12V</sub>	Duty Cycle 1 (ISO/DIS 17987 Param 27)	$T_{H_{REC}(MAX)} = 0.744 \times V_{SUP}$ , $T_{H_{DOM}(MAX)} = 0.581 \times V_{SUP}$ , $V_{SUP} = 9.4\text{ V to }18\text{ V}$ , $t_{BIT} = 50\ \mu\text{s}$ (20 kbps), $D1 = t_{BUS\_rec(min)}/(2 \times t_{BIT})$ (See <a href="#">Figure 8-11</a> , <a href="#">Figure 8-12</a> )	0.396			
D2 <sub>12V</sub>	Duty Cycle 2 (ISO/DIS 17987 Param 28)	$T_{H_{REC}(MIN)} = 0.422 \times V_{SUP}$ , $T_{H_{DOM}(MIN)} = 0.284 \times V_{SUP}$ , $V_{SUP} = 4\text{ V to }7.4\text{ V}$ , $t_{BIT} = 50\ \mu\text{s}$ (20 kbps), $D2 = t_{BUS\_rec(MAX)}/(2 \times t_{BIT})$ (See <a href="#">Figure 8-11</a> , <a href="#">Figure 8-12</a> )			0.581	
D2 <sub>12V</sub>	Duty Cycle 2	$T_{H_{REC}(MIN)} = 0.422 \times V_{SUP}$ , $T_{H_{DOM}(MIN)} = 0.284 \times V_{SUP}$ , $V_{SUP} = 7.4\text{ V to }9.4\text{ V}$ , $t_{BIT} = 50\ \mu\text{s}$ (20 kbps), $D2 = t_{BUS\_rec(MAX)}/(2 \times t_{BIT})$ (See <a href="#">Figure 8-11</a> , <a href="#">Figure 8-12</a> )			0.67	
D2 <sub>12V</sub>	Duty Cycle 2 (ISO/DIS 17987 Param 28)	$T_{H_{REC}(MIN)} = 0.422 \times V_{SUP}$ , $T_{H_{DOM}(MIN)} = 0.284 \times V_{SUP}$ , $V_{SUP} = 9.4\text{ V to }18\text{ V}$ , $t_{BIT} = 50\ \mu\text{s}$ (20 kbps), $D2 = t_{BUS\_rec(MAX)}/(2 \times t_{BIT})$ (See <a href="#">Figure 8-11</a> , <a href="#">Figure 8-12</a> )			0.581	
D3 <sub>12V</sub>	Duty Cycle 3 (ISO/DIS 17987 Param 29)	$T_{H_{REC}(MAX)} = 0.778 \times V_{SUP}$ , $T_{H_{DOM}(MAX)} = 0.616 \times V_{SUP}$ , $V_{SUP} = 7\text{ V to }18\text{ V}$ , $t_{BIT} = 96\ \mu\text{s}$ (10.4 kbps), $D3 = t_{BUS\_rec(min)}/(2 \times t_{BIT})$ (See <a href="#">Figure 8-11</a> , <a href="#">Figure 8-12</a> )	0.417			
D3 <sub>12V</sub>	Duty Cycle 3	$T_{H_{REC}(MAX)} = 0.645 \times V_{SUP}$ , $T_{H_{DOM}(MAX)} = 0.616 \times V_{SUP}$ , $V_{SUP} = 4\text{ V to }7\text{ V}$ , $t_{BIT} = 96\ \mu\text{s}$ (10.4 kbps), $D3 = t_{BUS\_rec(min)}/(2 \times t_{BIT})$ (See <a href="#">Figure 8-11</a> , <a href="#">Figure 8-12</a> )	0.417			
D4 <sub>12V</sub>	Duty Cycle 4 (ISO/DIS 17987 Param 30)	$T_{H_{REC}(MIN)} = 0.389 \times V_{SUP}$ , $T_{H_{DOM}(MIN)} = 0.251 \times V_{SUP}$ , $V_{SUP} = 4.6\text{ V to }7.4\text{ V}$ , $t_{BIT} = 96\ \mu\text{s}$ (10.4 kbps), $D4 = t_{BUS\_rec(MAX)}/(2 \times t_{BIT})$ (See <a href="#">Figure 8-11</a> , <a href="#">Figure 8-12</a> )			0.59	
D4 <sub>12V</sub>	Duty Cycle 4	$T_{H_{REC}(MIN)} = 0.389 \times V_{SUP}$ , $T_{H_{DOM}(MIN)} = 0.251 \times V_{SUP}$ , $V_{SUP} = 7.4\text{ V to }9.4\text{ V}$ , $t_{BIT} = 96\ \mu\text{s}$ (10.4 kbps), $D4 = t_{BUS\_rec(MAX)}/(2 \times t_{BIT})$ (See <a href="#">Figure 8-11</a> , <a href="#">Figure 8-12</a> )			0.6	
D4 <sub>12V</sub>	Duty Cycle 4 (ISO/DIS 17987 Param 30)	$T_{H_{REC}(MIN)} = 0.389 \times V_{SUP}$ , $T_{H_{DOM}(MIN)} = 0.251 \times V_{SUP}$ , $V_{SUP} = 7.4\text{ V to }18\text{ V}$ , $t_{BIT} = 96\ \mu\text{s}$ (10.4 kbps), $D4 = t_{BUS\_rec(MAX)}/(2 \times t_{BIT})$ (See <a href="#">Figure 8-11</a> , <a href="#">Figure 8-12</a> )			0.59	
D1 <sub>24V</sub>	Duty Cycle 1 (ISO/DIS 17987 Param 72) <sup>(1)</sup>	$T_{H_{REC}(MAX)} = 0.710 \times V_{SUP}$ , $T_{H_{DOM}(MAX)} = 0.544 \times V_{SUP}$ , $V_{SUP} = 15\text{ V to }36\text{ V}$ , $t_{BIT} = 50\ \mu\text{s}$ (20 kbps), $D1 = t_{BUS\_rec(min)}/(2 \times t_{BIT})$ (See <a href="#">Figure 8-11</a> , <a href="#">Figure 8-12</a> )	0.33			

## 7.7 Switching Characteristics (continued)

parameters valid across  $-40^{\circ}\text{C} \leq T_A \leq 125^{\circ}\text{C}$  (unless otherwise noted)

PARAMETER		TEST CONDITIONS	MIN	TYP	MAX	UNIT
D2 <sub>24V</sub>	Duty Cycle 2 (ISO/DIS 17987 Param 73)	$TH_{REC(MIN)} = 0.446 \times V_{SUP}$ , $TH_{DOM(MIN)} = 0.302 \times V_{SUP}$ , $V_{SUP} = 15.6 \text{ V to } 36 \text{ V}$ , $t_{BIT} = 50 \mu\text{s}$ (20 kbps), $D2 = t_{BUS\_rec(MAX)}/(2 \times t_{BIT})$ (See <a href="#">Figure 8-11</a> , <a href="#">Figure 8-12</a> )			0.642	
D3 <sub>24V</sub>	Duty Cycle 3 (ISO/DIS 17987 Param 74)	$TH_{REC(MAX)} = 0.744 \times V_{SUP}$ , $TH_{DOM(MAX)} = 0.581 \times V_{SUP}$ , $V_{SUP} = 7 \text{ V to } 36 \text{ V}$ , $t_{BIT} = 96 \mu\text{s}$ (10.4 kbps), $D3 = t_{BUS\_rec(min)}/(2 \times t_{BIT})$ (See <a href="#">Figure 8-11</a> , <a href="#">Figure 8-12</a> )	0.386			
D3 <sub>24V</sub>	Duty Cycle	$TH_{REC(MAX)} = 0.645 \times V_{SUP}$ , $TH_{DOM(MAX)} = 0.581 \times V_{SUP}$ , $V_{SUP} = 4 \text{ V to } 7 \text{ V}$ , $t_{BIT} = 96 \mu\text{s}$ (10.4 kbps), $D3 = t_{BUS\_rec(min)}/(2 \times t_{BIT})$ (See <a href="#">Figure 8-11</a> , <a href="#">Figure 8-12</a> )	0.386			
D4 <sub>24V</sub>	Duty Cycle 4 (ISO/DIS 17987 Param 75)	$TH_{REC(MIN)} = 0.422 \times V_{SUP}$ , $TH_{DOM(MIN)} = 0.284 \times V_{SUP}$ , $V_{SUP} = 4.6 \text{ V to } 36 \text{ V}$ , $t_{BIT} = 96 \mu\text{s}$ (10.4 kbps), $D4 = t_{BUS\_rec(MAX)}/(2 \times t_{BIT})$ (See <a href="#">Figure 8-11</a> , <a href="#">Figure 8-12</a> )			0.591	

- (1) Duty cycles: LIN driver bus load conditions ( $C_{LIN}$ ,  $R_{LIN}$ ): Load1 = 1 nF, 1 k $\Omega$ ; Load2 = 10 nF, 500  $\Omega$ , Load3 = 6.8 nF, 660  $\Omega$ . Duty cycles 3 and 4 are defined for 10.4-kbps operation. The TLIN2027 also meets these lower data rate requirements, while it is capable of the higher speed 20-kbps operation as specified by duty cycles 1 and 2. SAEJ2602 derives propagation delay equations from the LIN 2.0 duty cycle definitions, for details see the SAEJ2602 specification



## 7.8 Timing Requirements

SYMBOL	DESCRIPTION	TEST CONDITIONS	MIN	NOM	MAX	UNIT
$t_{rx\_pdr}$ , $t_{rx\_pdf}$	Receiver rising and falling propagation delay time (ISO/DIS 17987 Param 31, 76)	$R_{RXD} = 2.4\text{ k}\Omega$ , $C_{RXD} = 20\text{ pF}$ (See <a href="#">Figure 8-13</a> and <a href="#">Figure 8-14</a> )			6	$\mu\text{s}$
$t_{rx\_sym}$	Symmetry of receiver propagation delay time	Rising edge with respect to falling edge, ( $trx\_sym = t_{rx\_pdf} - t_{rx\_pdr}$ ), $R_{RXD} = 2.4\text{ k}\Omega$ , $C_{RXD} = 20\text{ pF}$ (See <a href="#">Figure 8-13</a> and <a href="#">Figure 8-14</a> )	-2		2	$\mu\text{s}$
$t_{LINBUS}$	LIN wakeup time (Minimum dominant time on LIN bus for wakeup)	See <a href="#">Figure 8-17</a> , <a href="#">Figure 9-2</a> , and <a href="#">Figure 9-3</a>	25	65	150	$\mu\text{s}$
$t_{CLEAR}$	Time to clear false wakeup prevention logic if LIN bus had a bus stuck dominant fault (recessive time on LIN bus to clear bus stuck dominant fault)	See <a href="#">Figure 9-3</a>	8	25	50	$\mu\text{s}$
$t_{MODE\_CHANGE}$	Mode change delay time	Time to change from standby mode to normal mode or normal mode to sleep mode through EN pin (See <a href="#">Figure 8-15</a> and <a href="#">Figure 9-4</a> )	2		15	$\mu\text{s}$
$t_{NOMINT}$	Normal mode initialization time	Time for normal mode to initialize and data on RXD pin to be valid (See <a href="#">Figure 8-15</a> )			35	$\mu\text{s}$
$t_{PWR}$	Power up time	Upon power up time it takes for valid data on RXD			1.5	ms

## 7.9 Typical Characteristics

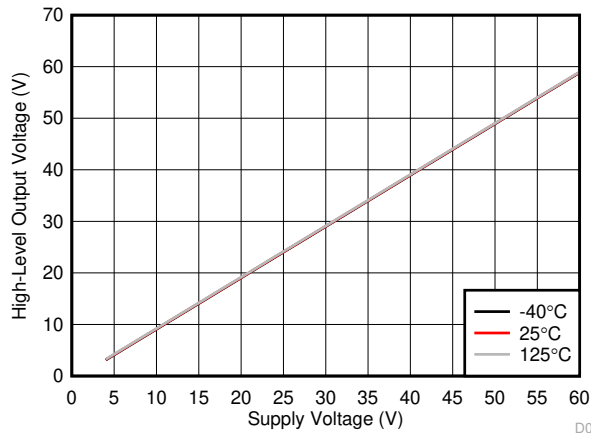


Figure 7-1.  $V_{OH}$  vs  $V_{SUP}$  and Temperature

D001

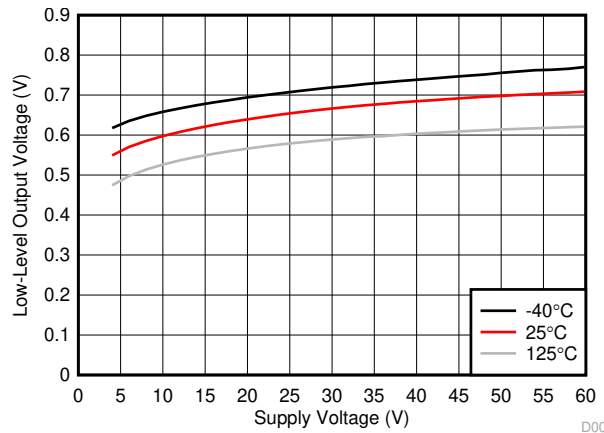


Figure 7-2.  $V_{OL}$  vs  $V_{SUP}$  and Temperature

D002

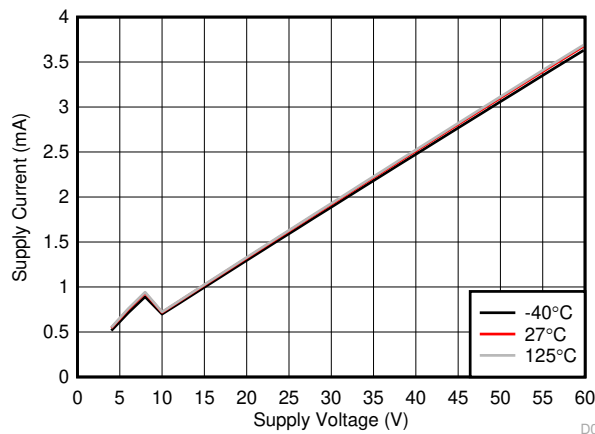


Figure 7-3. Dominant  $I_{SUP}$  vs  $V_{SUP}$  and Temperature

D003

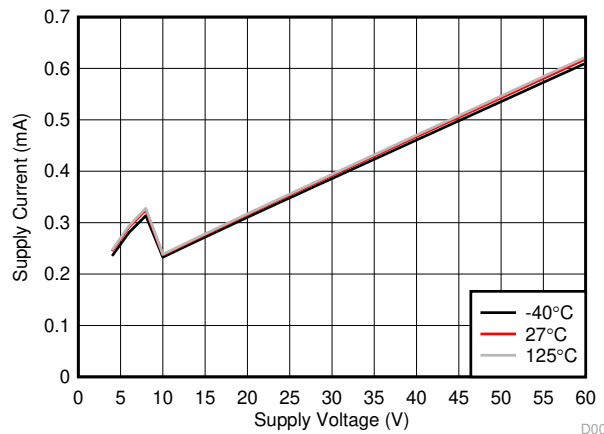


Figure 7-4. Recessive  $I_{SUP}$  vs  $V_{SUP}$  and Temperature

D004

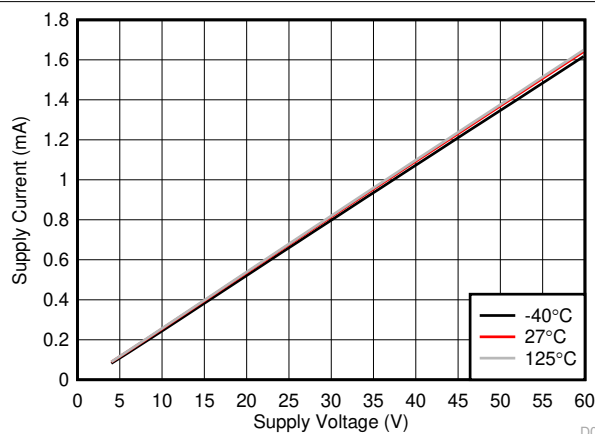


Figure 7-5. Standby Dominant  $I_{SUP}$  vs  $V_{SUP}$  and Temperature

D005

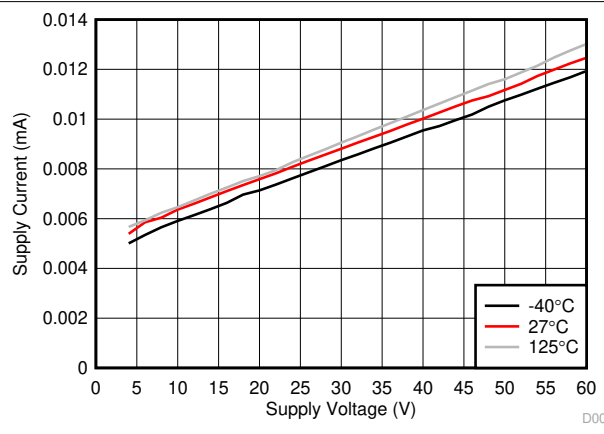
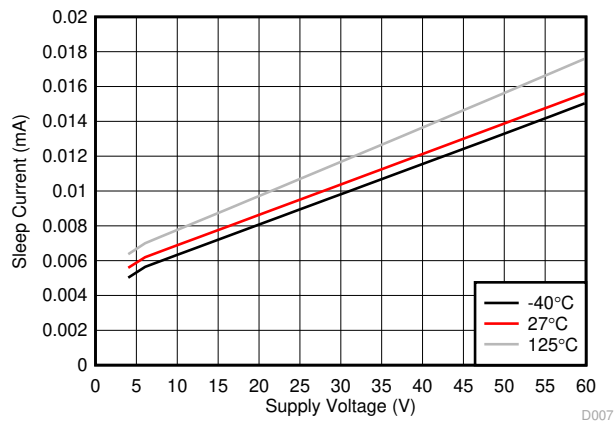


Figure 7-6. Standby Recessive  $I_{SUP}$  vs  $V_{SUP}$  and Temperature

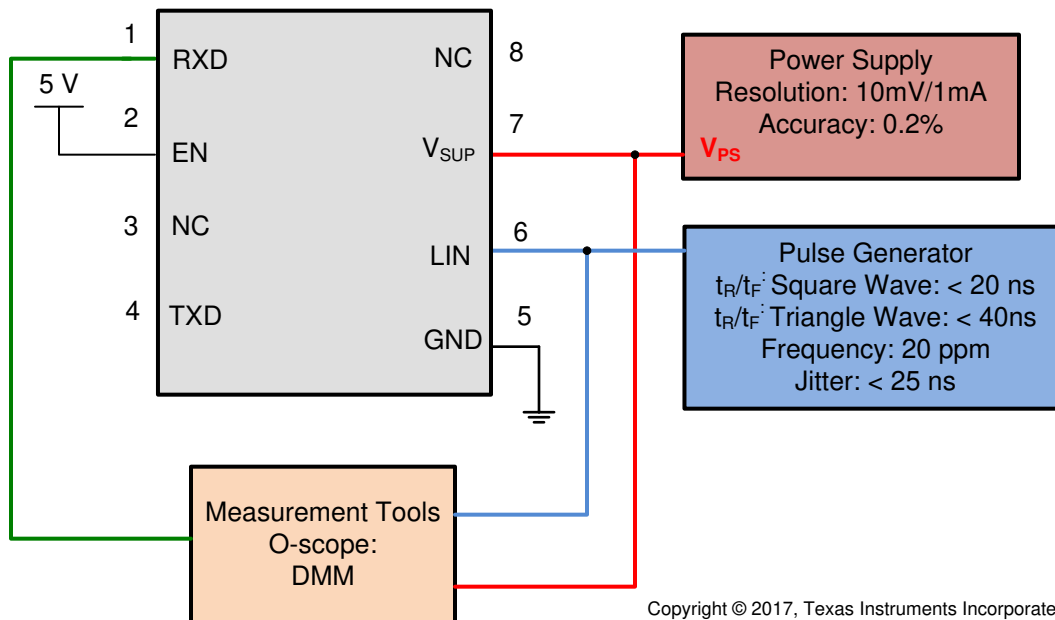
D006

### 7.9 Typical Characteristics (continued)



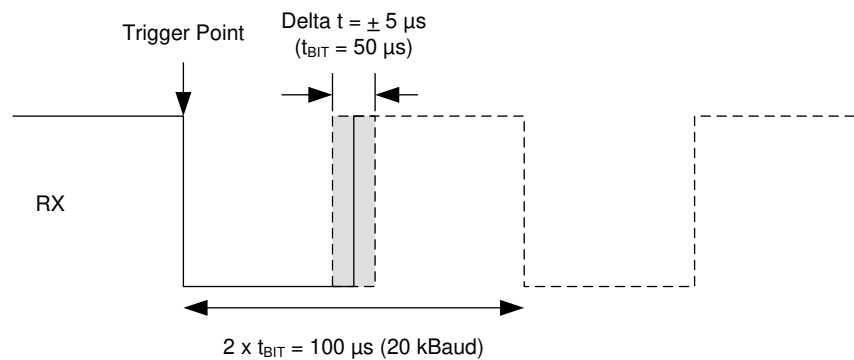
**Figure 7-7. Sleep Current vs  $V_{SUP}$  and Temperature**

## 8 Parameter Measurement Information

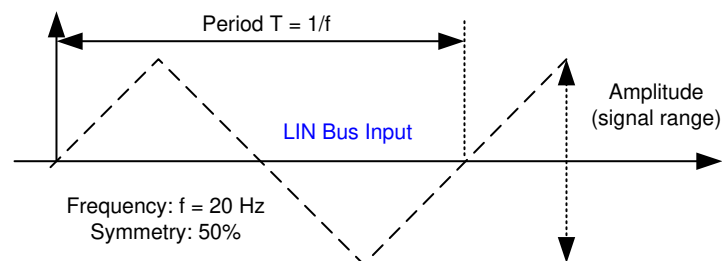


Copyright © 2017, Texas Instruments Incorporated

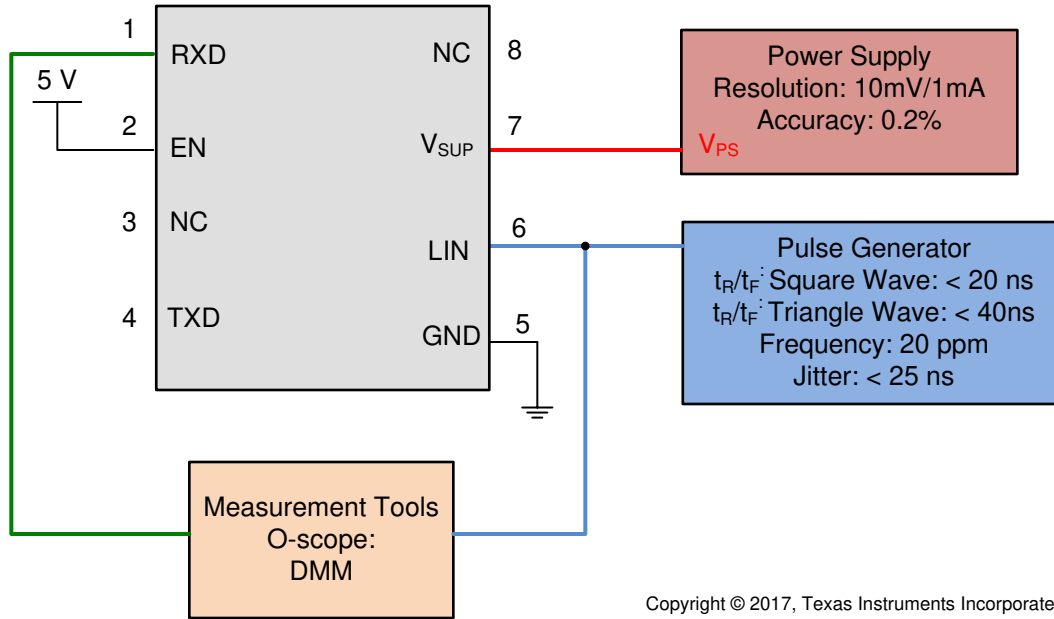
**Figure 8-1. Test System: Operating Voltage Range with RX and TX Access: Parameters 9, 10**



**Figure 8-2. RX Response: Operating Voltage Range**

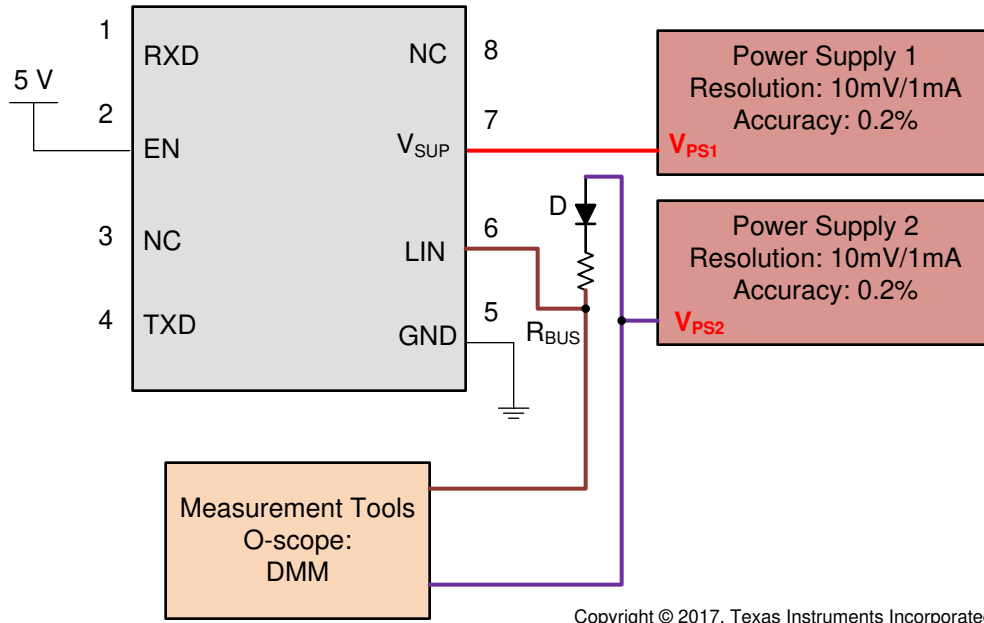


**Figure 8-3. LIN Bus Input Signal**



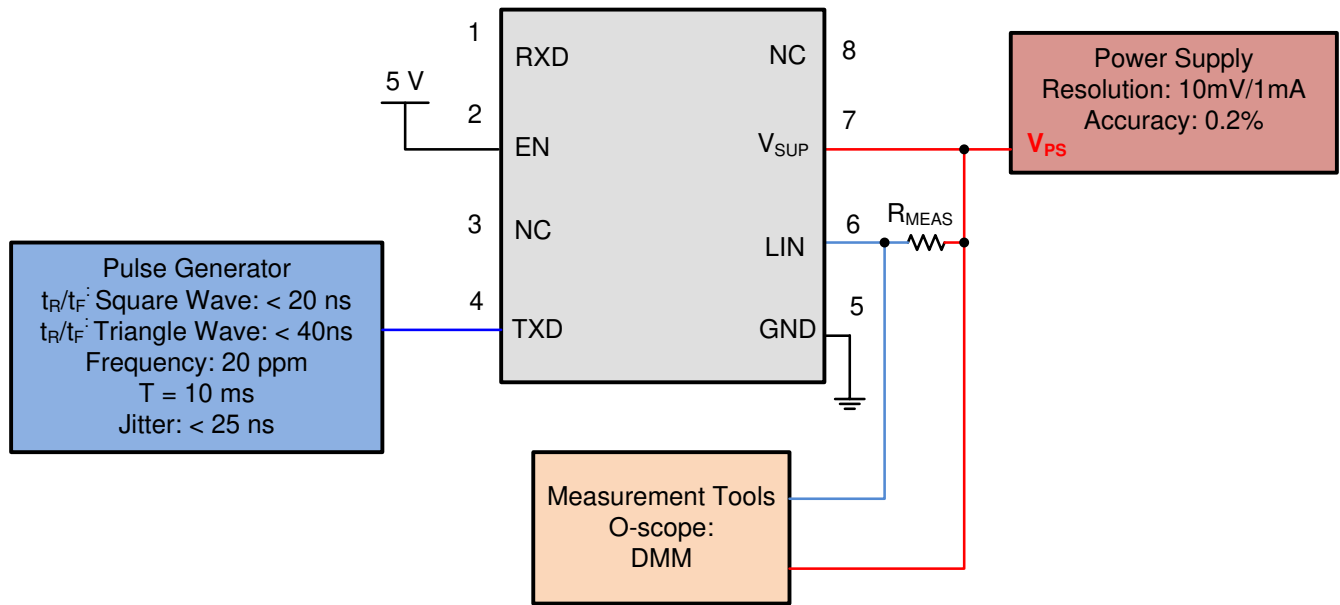
Copyright © 2017, Texas Instruments Incorporated

Figure 8-4. LIN Receiver Test with RX access Param 17, 18, 19, 20



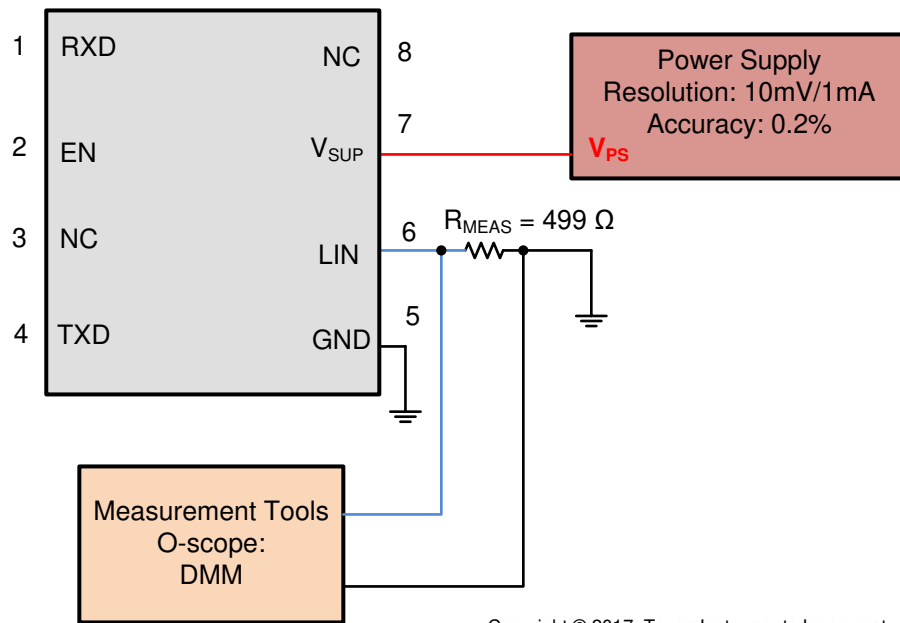
Copyright © 2017, Texas Instruments Incorporated

Figure 8-5. V<sub>SUP\_NON\_OP</sub> Param 11



Copyright © 2017, Texas Instruments Incorporated

**Figure 8-6. Test Circuit for  $I_{BUS\_LIM}$  at Dominant State (Driver on) Param 12**



Copyright © 2017, Texas Instruments Incorporated

**Figure 8-7. Test Circuit for  $I_{BUS\_PAS\_dom}$ ; TXD = Recessive State  $V_{BUS} = 0$  V, Param 13**

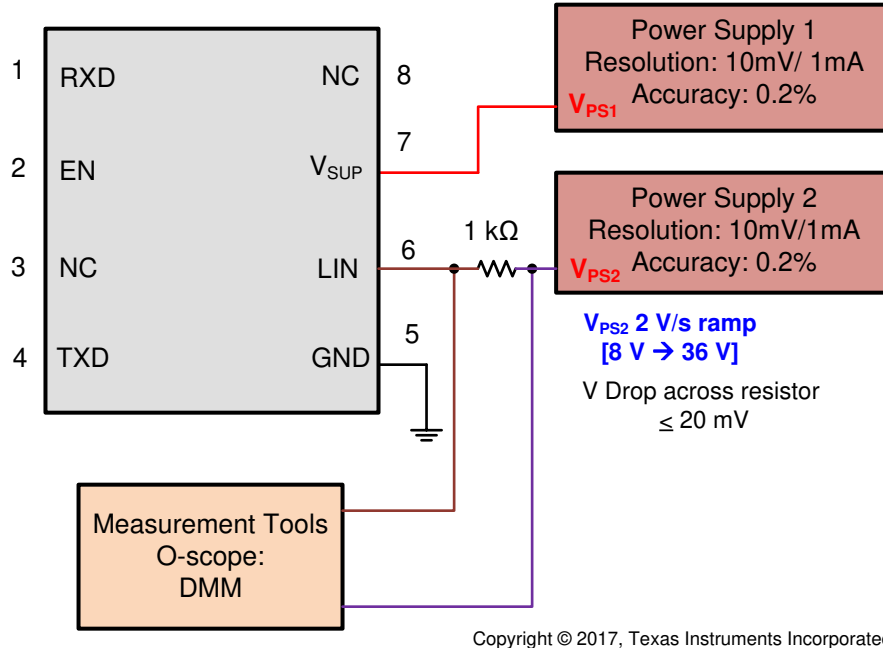


Figure 8-8. Test Circuit for  $I_{BUS\_PAS\_rec}$  Param 14

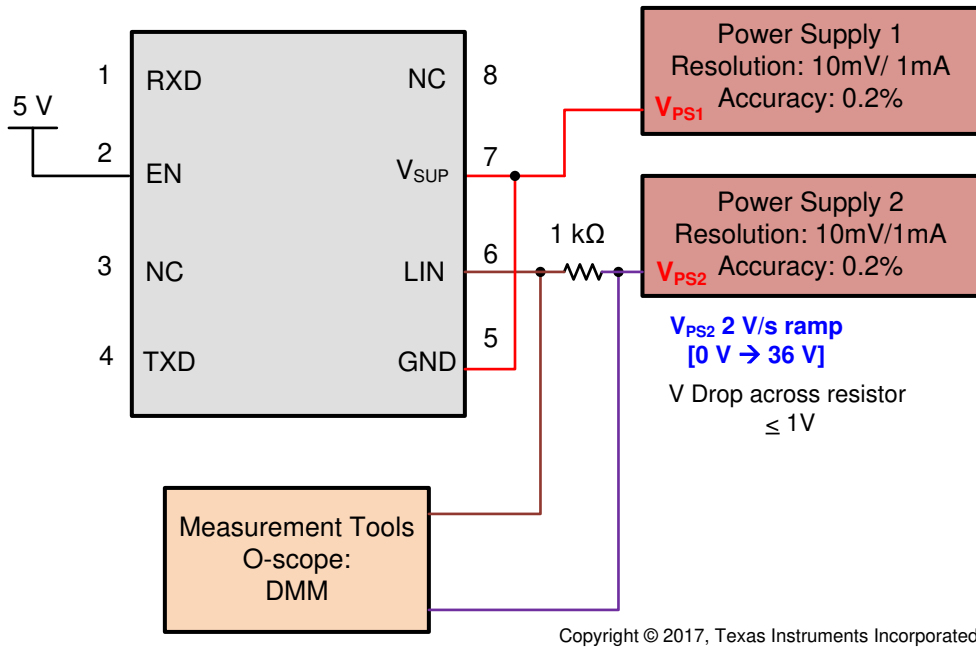
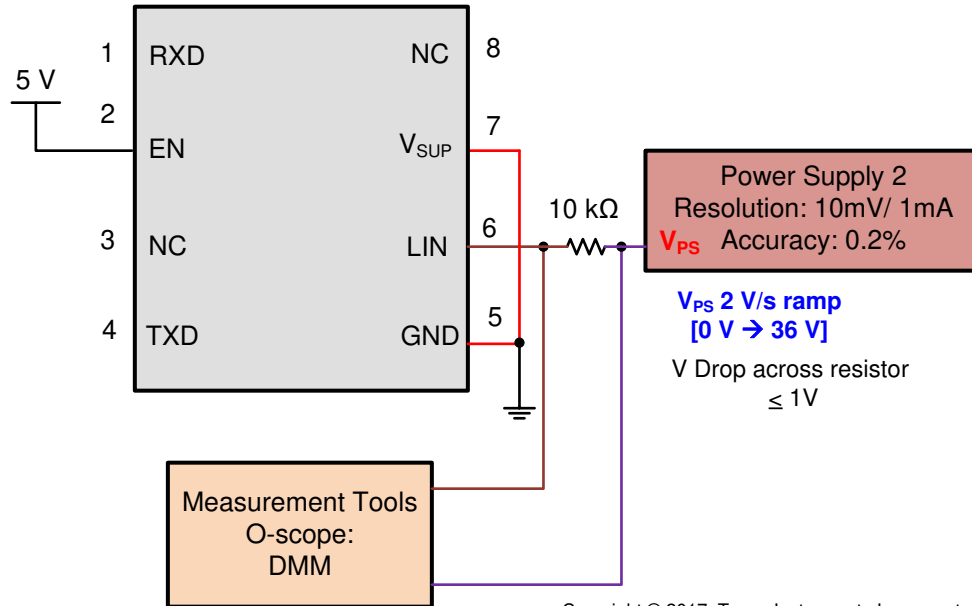
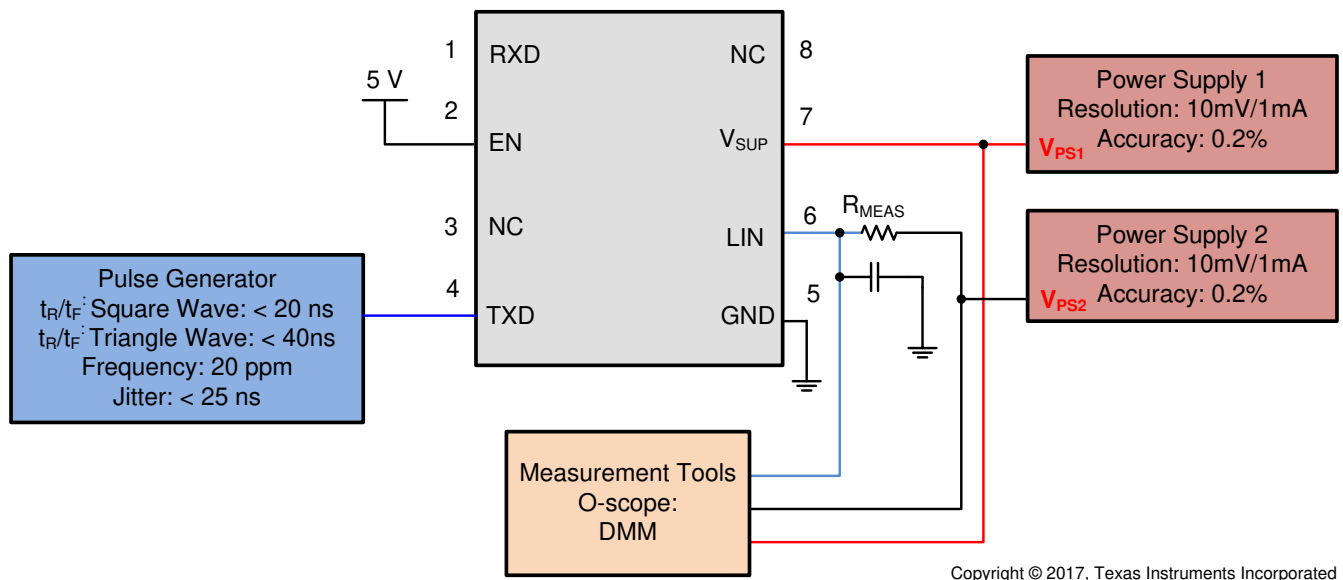


Figure 8-9. Test Circuit for  $I_{BUS\_NO\_GND}$  Loss of GND



Copyright © 2017, Texas Instruments Incorporated

**Figure 8-10. Test Circuit for I<sub>BUS\_NO\_BAT</sub> Loss of Battery**



Copyright © 2017, Texas Instruments Incorporated

**Figure 8-11. Test Circuit Slope Control and Duty Cycle Param 27, 28, 29, 30**



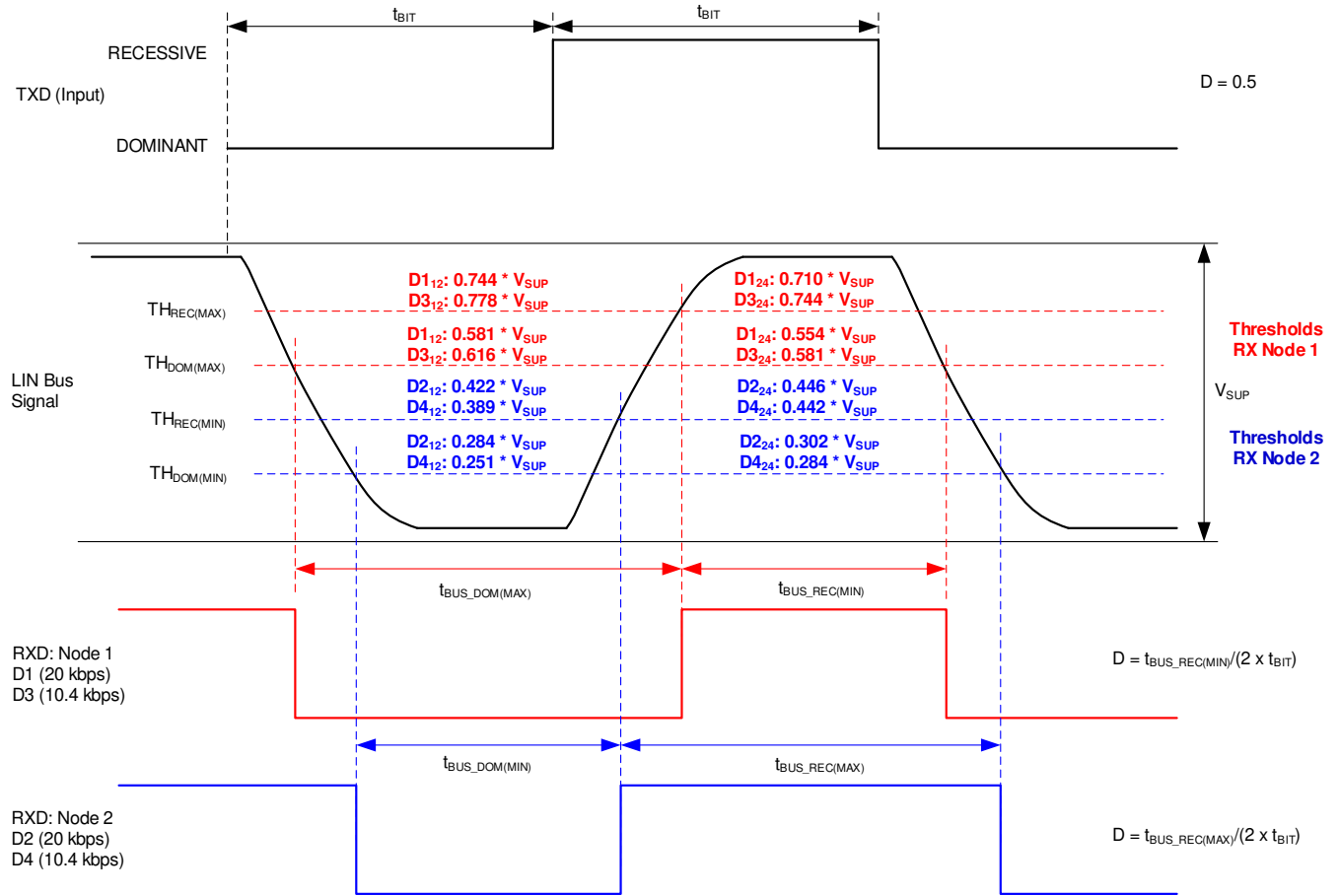


Figure 8-12. Definition of Bus Timing Parameters

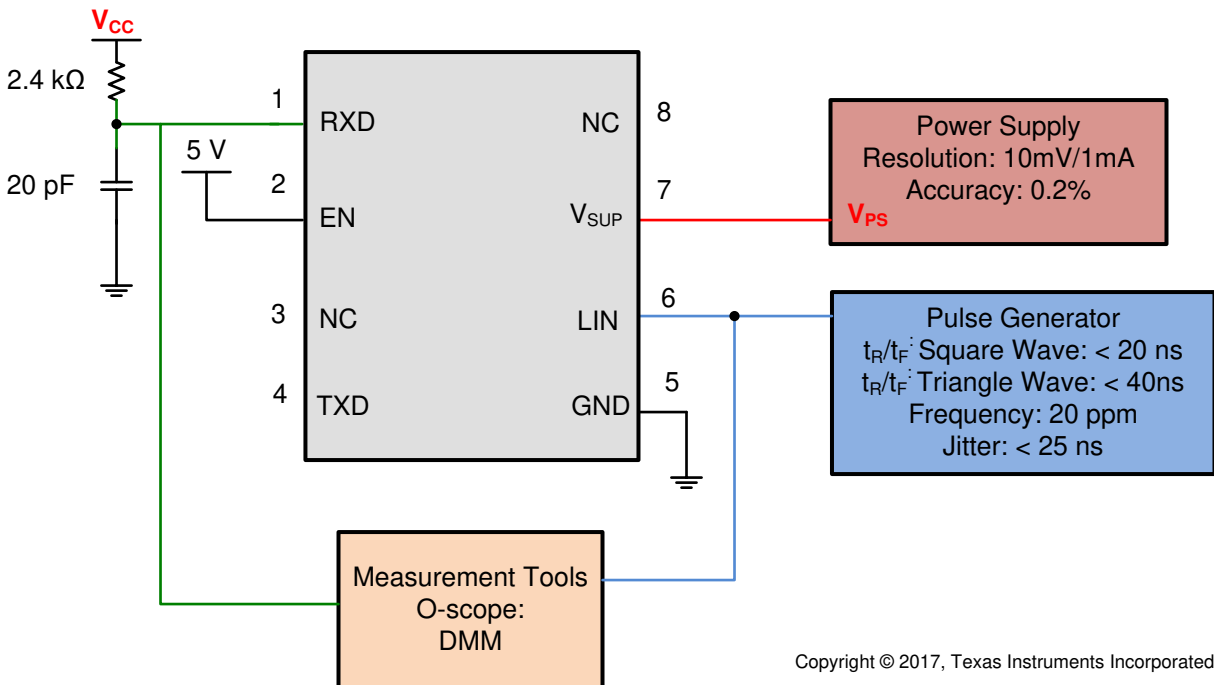
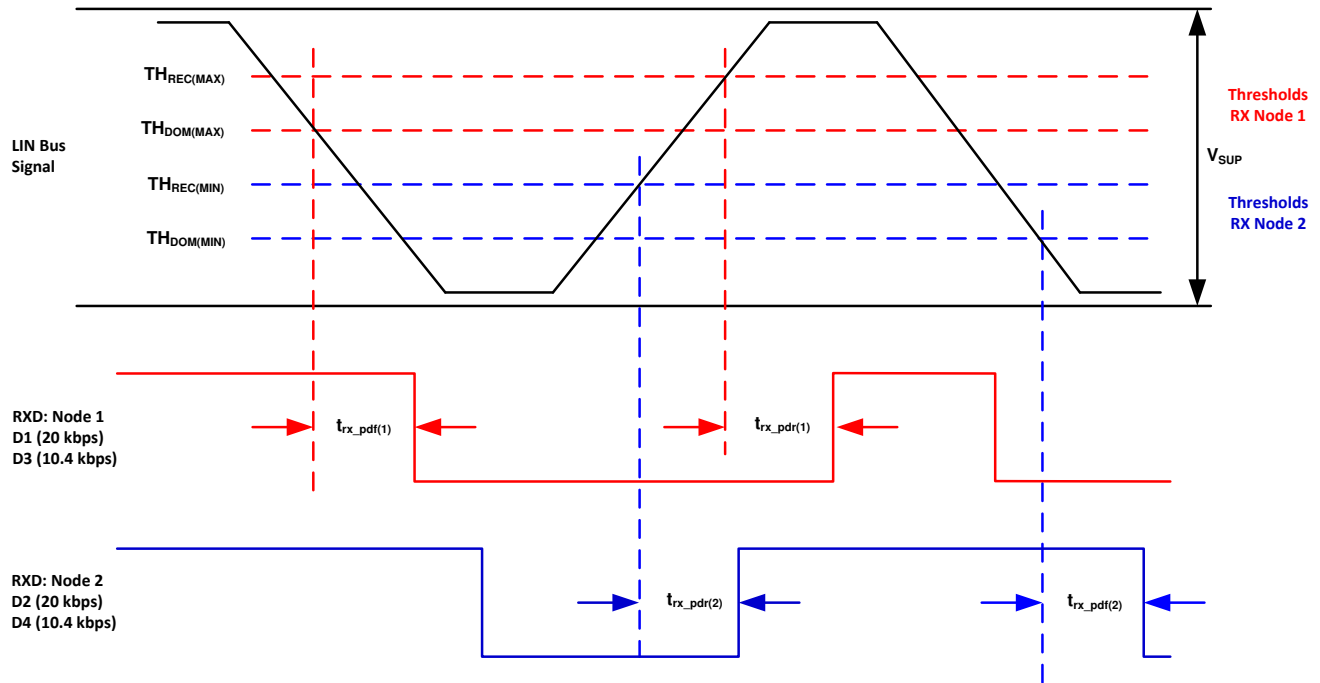
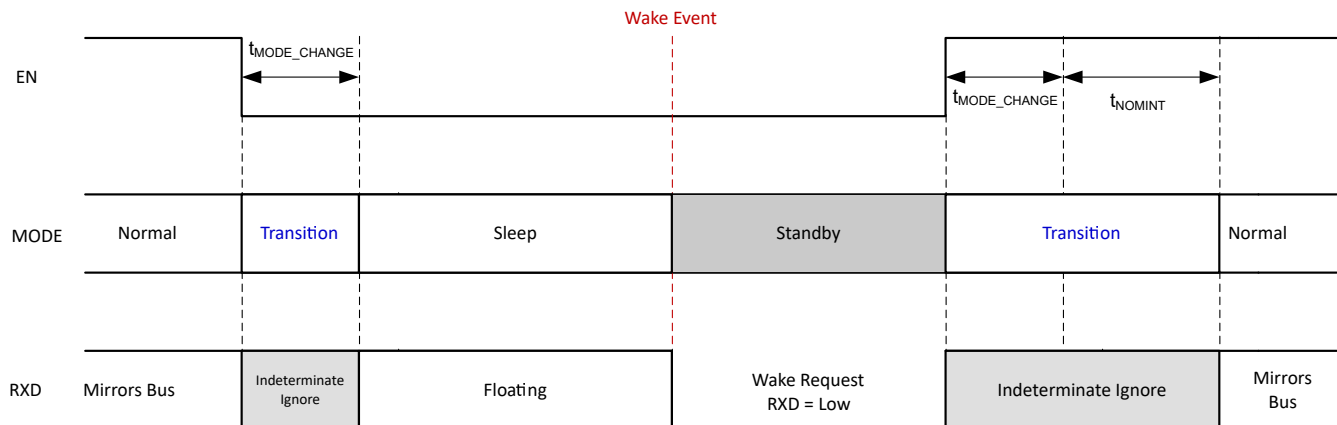


Figure 8-13. Propagation Delay Test Circuit; Param 31, 32

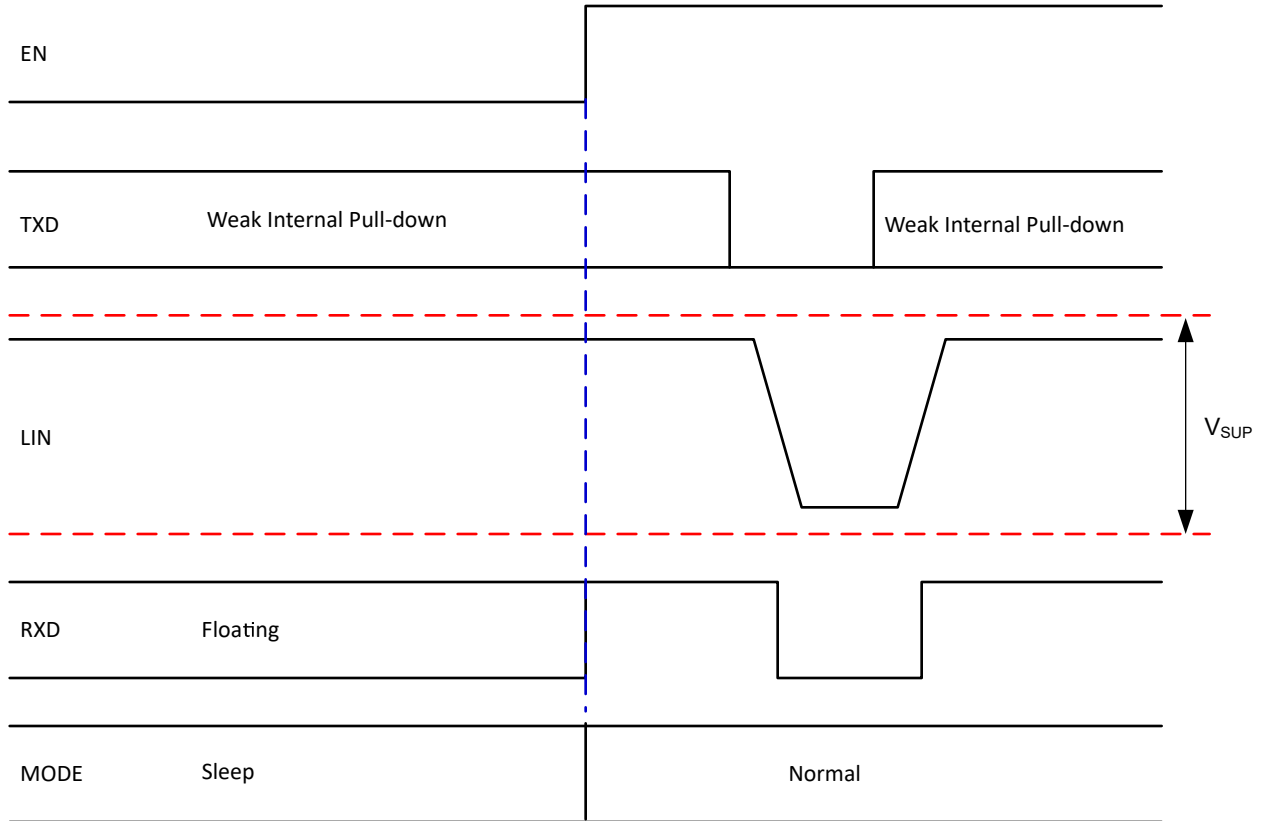


Copyright © 2017, Texas Instruments Incorporated

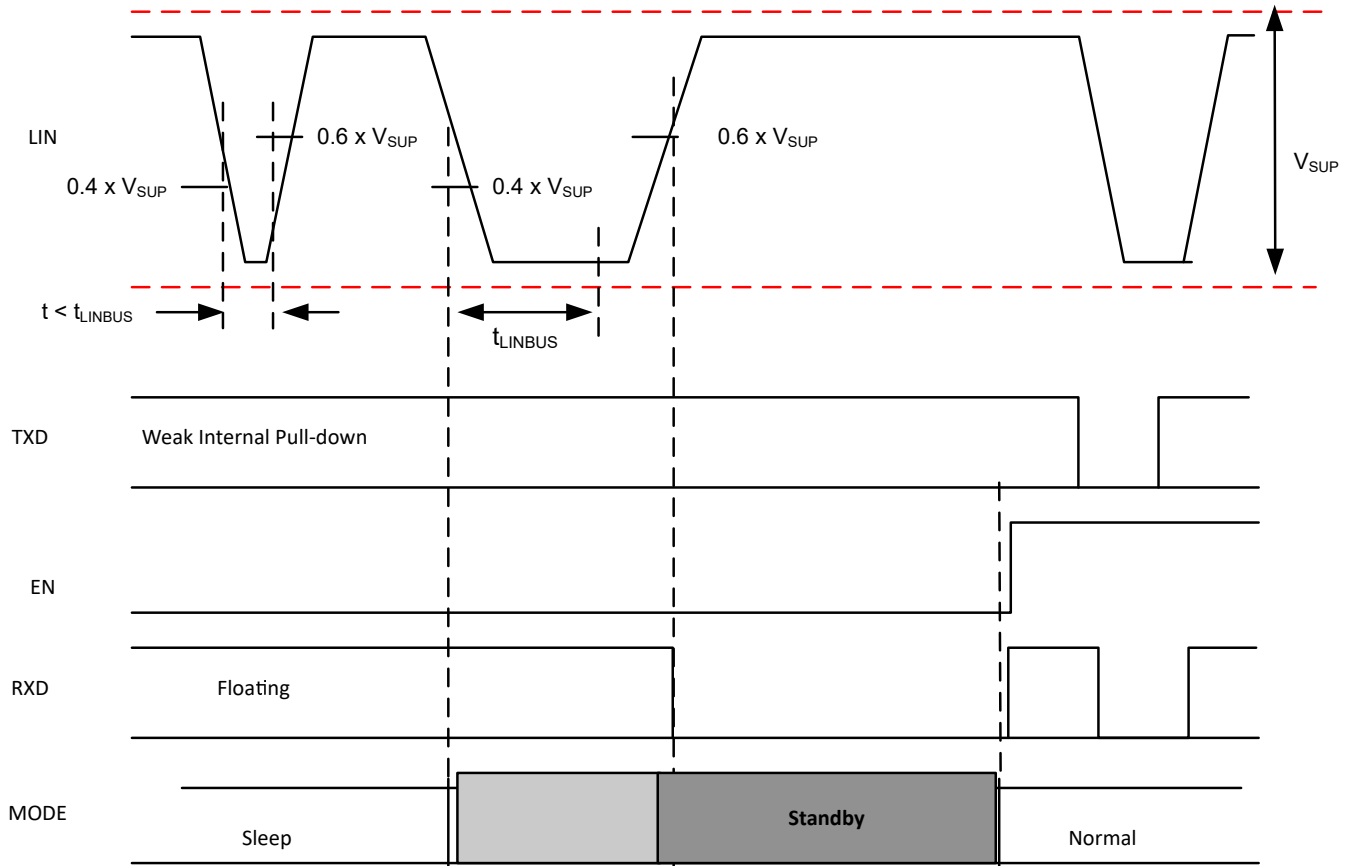
**Figure 8-14. Propagation Delay**



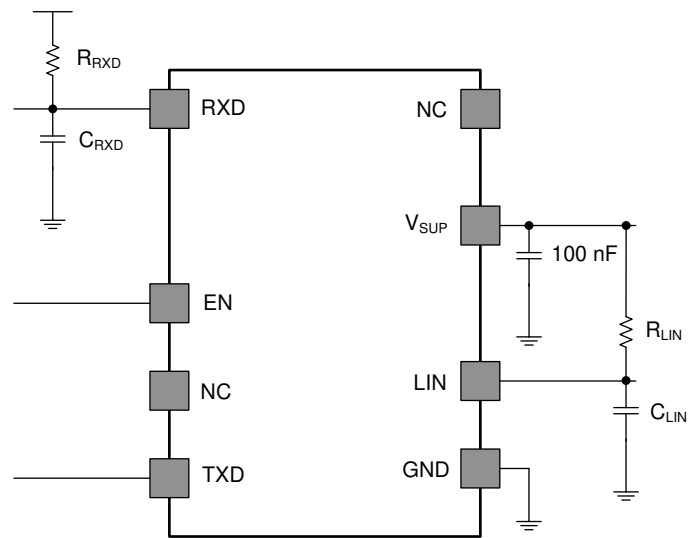
**Figure 8-15. Mode Transitions**



**Figure 8-16. Wake-up Through EN**



**Figure 8-17. Wake-up through LIN**



Copyright © 2017, Texas Instruments Incorporated

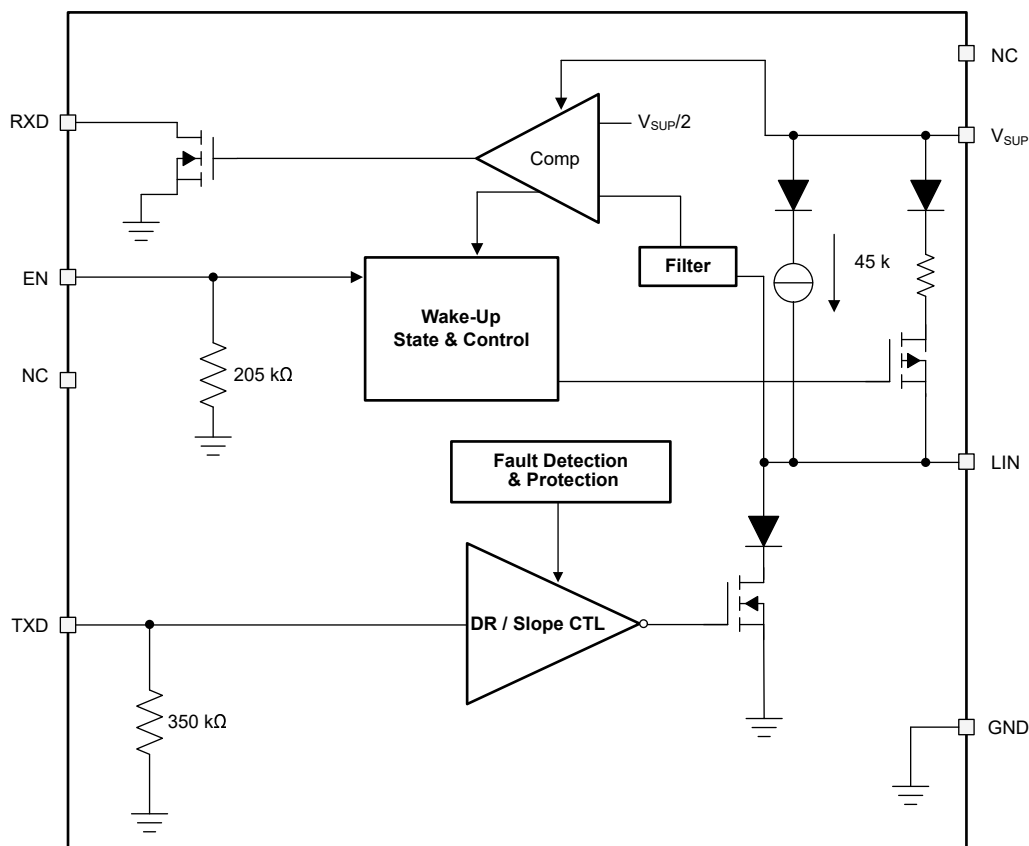
**Figure 8-18. Test Circuit for AC Characteristics**

## 9 Detailed Description

### 9.1 Overview

The TLIN2027-Q1 is a Local Interconnect Network (LIN) physical layer transceiver, compatible with LIN 2.0, LIN 2.1, LIN 2.2, LIN 2.2A and ISO/DIS 17987–4 standards, with integrated wake-up and protection features. The LIN bus is a single-wire bidirectional bus typically used for low speed in-vehicle networks using data rates from 2.4 kbps to 20 kbps. The TLIN2027-Q1 LIN receiver works up to 100 kbps supporting in-line programming. The LIN protocol data stream on the TXD input is converted by the TLIN2027-Q1 into a LIN bus signal using a current-limited wave-shaping driver as outlined by the LIN physical layer specification. The receiver converts the data stream to logic-level signals that are sent to the microprocessor through the open-drain RXD pin. The LIN bus has two states: dominant state (voltage near ground) and recessive state (voltage near battery). In the recessive state, the LIN bus is pulled high by the internal pull-up resistor (45 k $\Omega$ ) and a series diode. No external pull-up components are required for responder mode applications. Commander mode applications require an external pull-up resistor (1 k $\Omega$ ) plus a series diode per the LIN specification. The TLIN2027-Q1 provides many protection features such as immunity to ESD and high bus standoff voltage. The device also provides two methods to wake up: EN pin and from the LIN bus.

### 9.2 Functional Block Diagram



### 9.3 Feature Description

#### 9.3.1 LIN (Local Interconnect Network) Bus

This high voltage input/output pin is a single-wire LIN bus transmitter and receiver. The LIN pin can survive transient voltages up to 60 V. Reverse currents from the LIN to supply ( $V_{SUP}$ ) are minimized with blocking diodes, even in the event of a ground shift or loss of supply ( $V_{SUP}$ ).

##### 9.3.1.1 LIN Transmitter Characteristics

The transmitter has thresholds and AC parameters according to the LIN specification. The transmitter is a low-side transistor with internal current limitation and thermal shutdown. During a thermal shut-down condition,

the transmitter is disabled to protect the device. There is an internal pull-up resistor with a serial diode structure to  $V_{SUP}$ , so no external pull-up components are required for the LIN responder mode applications. An external pull-up resistor and series diode to  $V_{SUP}$  must be added when the device is used for a commander mode node application.

### 9.3.1.2 LIN Receiver Characteristics

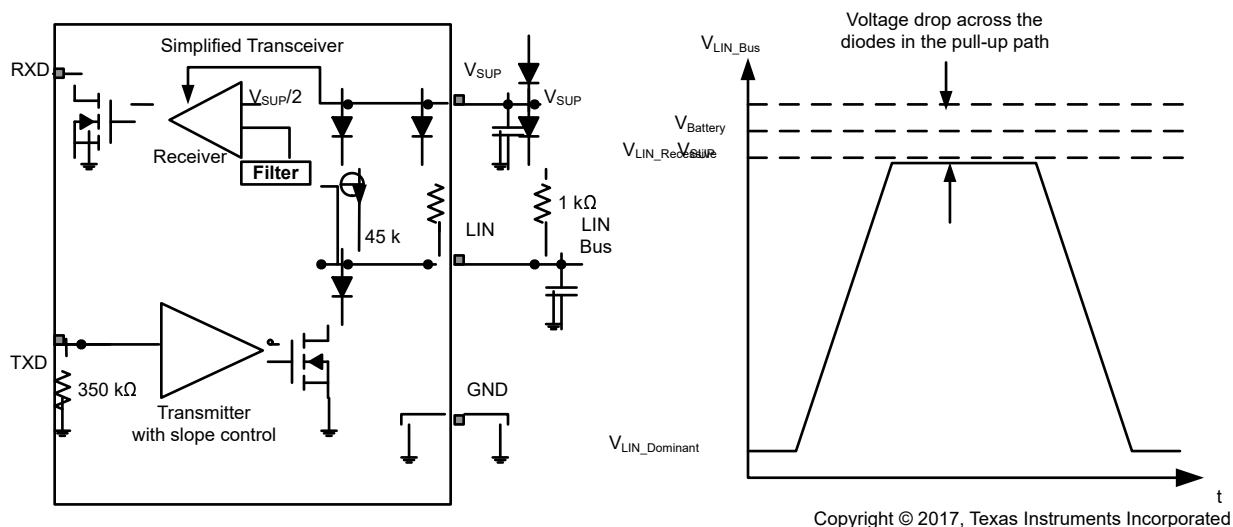
The receiver's characteristic thresholds are proportional to the device supply pin in accordance to the LIN specification.

The receiver is capable of receiving higher data rates ( $> 100$  kbps) than supported by LIN or SAEJ2602 specifications. This allows the TLIN2027-Q1 to be used for high speed downloads at the end-of-line production or other applications. The actual data rate achievable depends on system time constants (bus capacitance and pull-up resistance) and driver characteristics used in the system.

#### 9.3.1.2.1 Termination

There is an internal pull-up resistor with a serial diode structure to  $V_{SUP}$ , so no external pull-up components are required for the LIN responder mode applications. An external pull-up resistor ( $1\text{ k}\Omega$ ) and a series diode to  $V_{SUP}$  must be added when the device is used for commander mode applications as per the LIN specification.

Figure 9-1 shows a commander node configuration and how the voltage levels are defined



**Figure 9-1. Commander Node Configuration with Voltage Levels**

### 9.3.2 TXD (Transmit Input and Output)

TXD is the interface to the MCU's LIN protocol controller or SCI and UART that is used to control the state of the LIN output. When TXD is low the LIN output is dominant (near ground). When TXD is high the LIN output is recessive (near  $V_{Battery}$ ). See Figure 9-1. The TXD input structure is compatible with microcontrollers with 3.3 V and 5 V I/O.

### 9.3.3 RXD (Receive Output)

RXD is the interface to the MCU's LIN protocol controller or SCI and UART, which reports the state of the LIN bus voltage. LIN recessive (near  $V_{Battery}$ ) is represented by a high level on the RXD and LIN dominant (near ground) is represented by a low level on the RXD pin. The RXD output structure is an open-drain output stage. This allows the device to be used with 3.3 V and 5 V I/O microcontrollers. If the microcontroller's RXD pin does not have an integrated pull-up, an external pull-up resistor to the microcontroller I/O supply voltage is required. In standby mode the RXD pin is driven low to indicate a wake-up request from the LIN bus.

### 9.3.4 V<sub>SUP</sub> (Supply Voltage)

V<sub>SUP</sub> is the power supply pin. V<sub>SUP</sub> is connected to the battery through an external reverse-blocking diode (Figure 9-1). If there is a loss of power at the ECU level, the device has extremely low leakage from the LIN pin, which does not load the bus down. This is optimal for LIN systems in which some of the nodes are unpowered (ignition supplied) while the rest of the network remains powered (battery supplied).

### 9.3.5 GND (Ground)

GND is the device ground connection. The device can operate with a ground shift as long as the ground shift does not reduce the V<sub>SUP</sub> below the minimum operating voltage, as well as ensuring the input and output voltages are within their appropriate thresholds. If there is a loss of ground at the ECU level, the device has extremely low leakage from the LIN pin, which does not load the bus down. This is optimal for LIN systems in which some of the nodes are unpowered (ignition supplied) while the rest of the network remains powered (battery supplied).

### 9.3.6 EN (Enable Input)

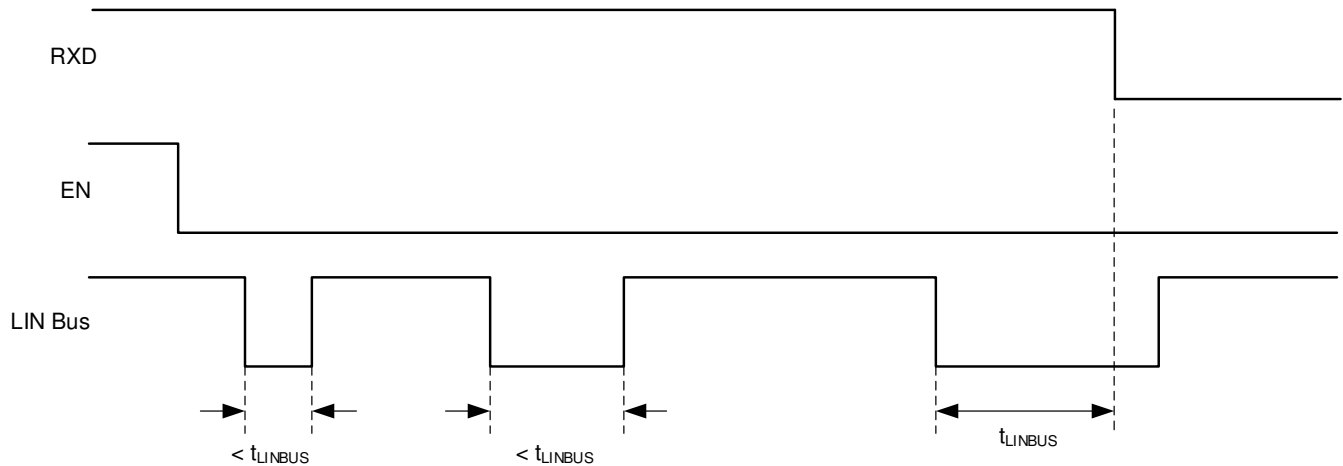
EN controls the operational modes of the device. When EN is high the device is in normal operating mode allowing a transmission path from TXD to LIN and from LIN to RXD. When EN is low the device is put into sleep mode and there are no transmission paths available. The device can enter normal mode only after wake-up. EN has an internal pull-down resistor to ensure the device remains in low-power mode even if EN floats.

### 9.3.7 Protection Features

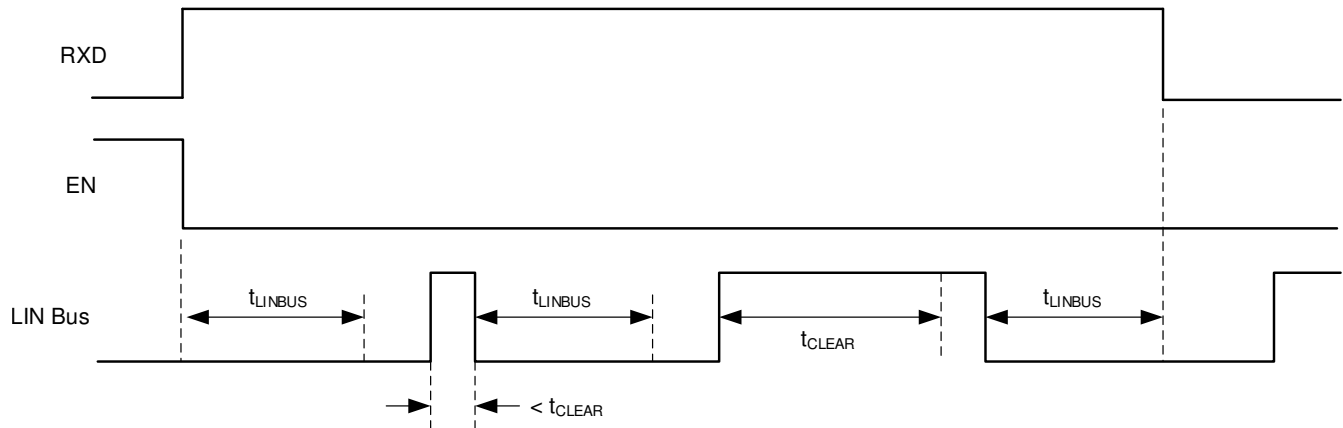
The TLIN2027-Q1 has several protection features, described below.

### 9.3.8 Bus Stuck Dominant System Fault: False Wake-Up Lockout

The TLIN2027-Q1 contains logic to detect bus stuck dominant system faults and prevents the device from waking up falsely during the system fault. Upon entering sleep mode, the device detects the state of the LIN bus. If the bus is dominant, the wake-up logic is locked out until a valid recessive on the bus “clears” the bus stuck dominant, preventing excessive current consumption. Figure 9-2 and Figure 9-3 show the behavior of this protection.



**Figure 9-2. No Bus Fault: Entering Sleep Mode with Bus Recessive Condition and Wake-Up**



**Figure 9-3. Bus Fault: Entering Sleep Mode with Bus Stuck Dominant Fault, Clearing, and Wake-Up**

### 9.3.9 Thermal Shutdown

The LIN transmitter is protected by current limiting circuitry; however, if the junction temperature of the device exceeds the thermal shutdown threshold, the device puts the LIN transmitter into the recessive state. Once the over-temperature fault condition has been removed and the junction temperature has cooled beyond the hysteresis temperature, the transmitter is re-enabled, assuming the device remained in the normal operation mode. During this fault, the transceiver remains in normal mode (assuming no change of state request on EN), the transmitter is in recessive state, the RXD pin reflects the LIN bus and LIN bus pull-up termination remains on.

### 9.3.10 Under Voltage on $V_{SUP}$

The TLIN2027-Q1 contains a power-on reset circuit to avoid false bus messages during under voltage conditions when  $V_{SUP}$  is less than  $UV_{SUP}$ .

### 9.3.11 Unpowered Device and LIN Bus

In automotive applications some LIN nodes in a system can be unpowered (ignition supplied) while others in the network remain powered by the battery. The TLIN2027-Q1 has extremely low unpowered leakage current from the bus so an unpowered node does not affect the network or load it down.

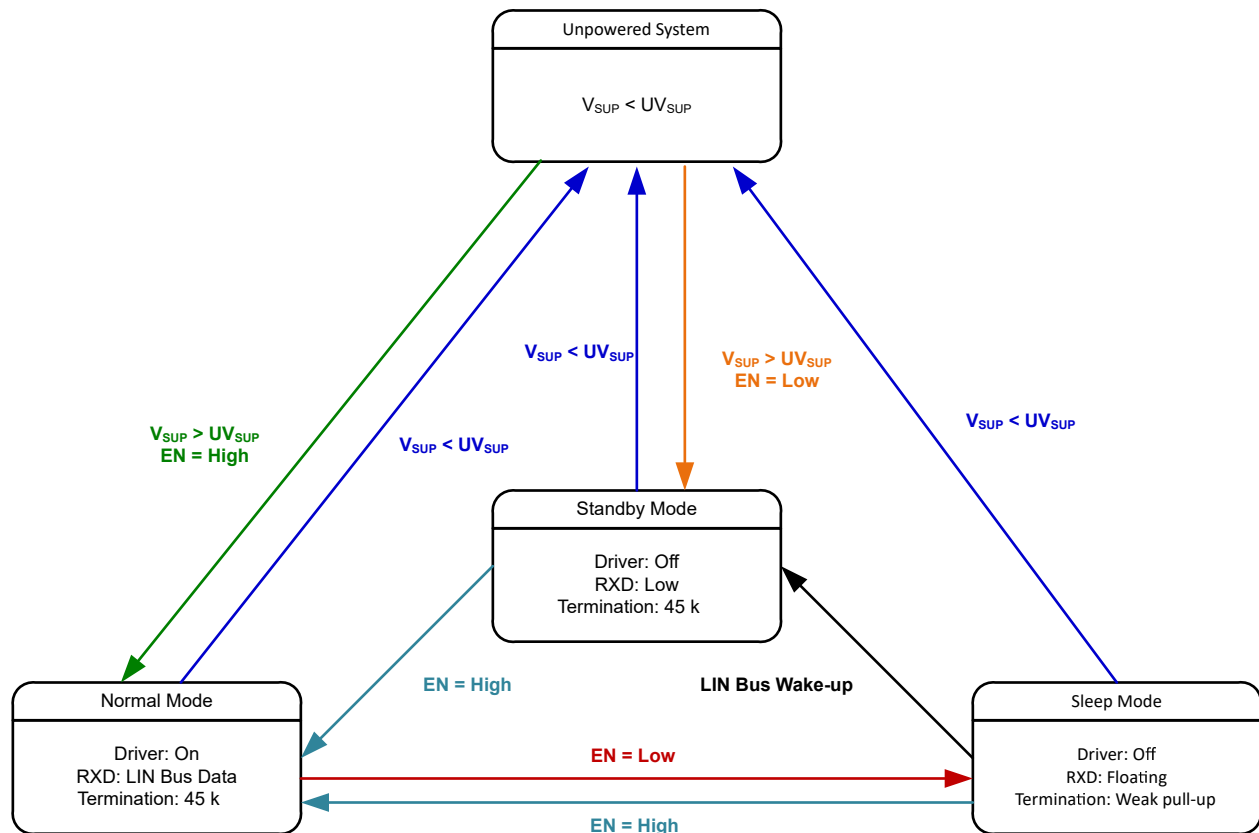


## 9.4 Device Functional Modes

The TLIN2027-Q1 has three functional modes of operation: normal, sleep, and standby. The next sections will describe these modes as well as how the device moves between the different modes. Figure 9-4 graphically shows the relationship while Table 9-1 shows the state of pins.

Table 9-1. Operating Modes

MODE	EN	RXD	LIN BUS TERMINATION	TRANSMITTER	COMMENT
Sleep	Low	Floating	Weak current pull-up	Off	
Standby	Low	Low	45 kΩ (typical)	Off	Wake-up event detected, waiting on MCU to set EN
Normal	High	LIN bus data	45 kΩ (typical)	On	LIN transmission up to 20 kbps



Copyright © 2017, Texas Instruments Incorporated

Figure 9-4. Operating State Diagram

### 9.4.1 Normal Mode

If the EN pin is high at power up the device will power up in normal mode. If the EN pin is low, it will power up in standby mode. The EN pin controls the mode of the device. In normal operational mode the receiver and transmitter are active and the LIN transmission up to the LIN specified maximum of 20 kbps is supported. The receiver detects the data stream on the LIN bus and outputs it on RXD for the LIN controller. A recessive signal on the LIN bus is a logic high and a dominant signal on the LIN bus is a logic low. The driver transmits input data from TXD to the LIN bus. Normal mode is entered as EN transitions high while the TLIN2027-Q1 is in sleep or standby mode for  $> t_{MODE\_CHANGE}$  plus  $t_{NOMINT}$ .

### 9.4.2 Sleep Mode

Sleep mode is the power saving mode for the TLIN2027-Q1. Sleep mode is only entered when the EN pin is low and from normal mode. Even with extremely low current consumption in this mode, the TLIN2027-Q1 can still wake up from LIN bus through a wake-up signal or if EN is set high for  $\geq t_{\text{MODE\_CHANGE}}$ . The LIN bus is filtered to prevent false wake-up events. The wake-up events must be active for the respective time periods ( $t_{\text{LINBUS}}$ ).

The sleep mode is entered by setting EN low for longer than  $t_{\text{MODE\_CHANGE}}$ .

While the device is in sleep mode, the following conditions exist:

- The LIN bus driver is disabled and the internal LIN bus termination is switched off (to minimize power loss if LIN is short circuited to ground). However, the weak current pull-up is active to prevent false wake-up events in case an external connection to the LIN bus is lost.
- The normal receiver is disabled.
- EN input and LIN wake-up receiver are active.

### 9.4.3 Standby Mode

This mode is entered whenever a wake-up event occurs through LIN bus while the device is in sleep mode. The LIN bus responder mode termination circuit is turned on when standby mode is entered. Standby mode is signaled through a low level on RXD. See [Section 10.2.2.2](#) for more application information.

When EN is set high for longer than  $t_{\text{MODE\_CHANGE}}$  while the device is in standby mode, the device returns to normal mode. The normal transmission paths from TXD to LIN bus and LIN bus to RXD are enabled.

### 9.4.4 Wake-Up Events

There are two ways to wake up from sleep mode:

- Remote wake-up initiated by the falling edge of a recessive (high) to dominant (low) state transition on LIN bus where the dominant state is held for  $t_{\text{LINBUS}}$  filter time. After this  $t_{\text{LINBUS}}$  filter time has been met and a rising edge on the LIN bus going from dominant state to recessive state initiates a remote wake-up event, eliminating false wake-ups from disturbances on the LIN bus or if the bus is shorted to ground.
- Local wake-up through EN being set high for longer than  $t_{\text{MODE\_CHANGE}}$ .

#### 9.4.4.1 Wake-Up Request (RXD)

When the TLIN2027-Q1 encounters a wake-up event from the LIN bus, RXD goes low and the device transitions to standby mode until EN is reasserted high and the device enters normal mode. Once the device enters normal mode, the RXD pin releases the wake-up request signal and the RXD pin then reflects the receiver output from the LIN bus.

#### 9.4.4.2 Mode Transitions

When the TLIN2027-Q1 is transitioning from normal to sleep or standby modes the device needs the time  $t_{\text{MODE\_CHANGE}}$  to allow the change to fully propagate from the EN pin through the device into the new state. When transitioning from sleep or standby to normal mode the device needs  $t_{\text{MODE\_CHANGE}}$  plus  $t_{\text{NOMINT}}$ .



## 10.2.1 Design Requirements

The RXD output structure is an open-drain output stage. This allows the TLIN2027-Q1 to be used with 3.3-V and 5-V I/O processor. If the RXD pin of the processor does not have an integrated pull-up, an external pull-up resistor to the processor I/O supply voltage is required. The select external pull-up resistor value should be between 1 k $\Omega$  to 10 k $\Omega$ , depending on supply used (See I<sub>OL</sub> in electrical characteristics). The V<sub>SUP</sub> pin of the device should be decoupled with a 100-nF capacitor as close to the supply pin of the device as possible.

## 10.2.2 Detailed Design Procedures

### 10.2.2.1 Normal Mode Application Note

When using the TLIN2027-Q1 in systems which are monitoring the RXD pin for a wake-up request, special care should be taken during the mode transitions. The output of the RXD pin is indeterminate for the transition period between states as the receivers are switched. The application software should not look for an edge on the RXD pin indicating a wake-up request until t<sub>MODE\_CHANGE</sub>. This is shown in Figure 8-15

### 10.2.2.2 Standby Mode Application Note

If the TLIN2027-Q1 detects an under voltage on V<sub>SUP</sub> the RXD pin transitions low and would signal to the software that the TLIN2027-Q1 is in standby mode and should be returned to sleep mode for the lowest power state.

## 10.2.3 Application Curves

The below figures show the propagation delay from the TXD pin to the LIN pin for both dominant to recessive and recessive to dominant stated under lightly loaded conditions.

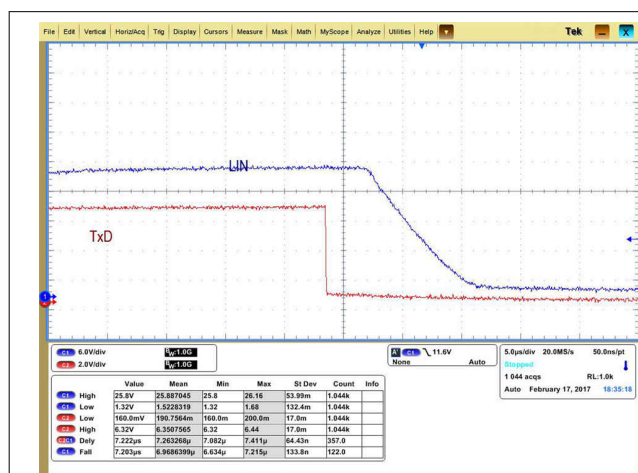


Figure 10-2. Recessive to Dominant Propagation

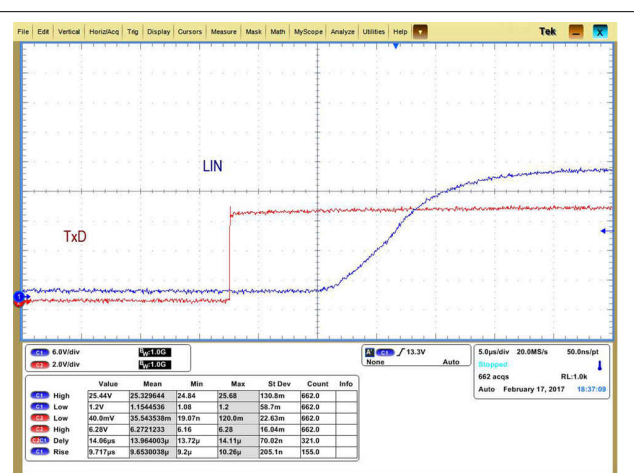


Figure 10-3. Dominant to Recessive Propagation

## 11 Power Supply Recommendations

The TLIN2027-Q1 was designed to operate directly off a car battery, or any other DC supply ranging from 4 V to 45 V. A 100 nF decoupling capacitor should be placed as close to the V<sub>SUP</sub> pin of the device as possible. It is good practice for some applications with noisier supplies to include 1  $\mu$ F and 10  $\mu$ F decoupling capacitor, as well.

## 12 Layout

In order for your PCB design to be successful, start with design of the protection and filtering circuitry. Because ESD transients have a wide frequency bandwidth from approximately 3 MHz to 3 GHz, high frequency layout techniques must be applied during PCB design. Placement at the connector also prevents these noisy events from propagating further into the PCB and system.

### 12.1 Layout Guidelines

- **Pin 1 (RXD):** The pin is an open-drain output and requires an external pull-up resistor in the range of 1 k $\Omega$  to 10 k $\Omega$  to function properly. Note that the minimum value will depend on the VIO supply used. See I<sub>OL</sub> in electrical specifications. If the microprocessor paired with the transceiver does not have an integrated pull-up, an external resistor should be placed between RXD and the regulated voltage supply for the microprocessor.
- **Pin 2 (EN):** EN is an input pin that is used to place the device in a low-power sleep mode. If this feature is not used the pin should be pulled high to the regulated voltage supply of the microprocessor through a series resistor between 1 k $\Omega$  and 10 k $\Omega$ . Additionally, a series resistor may be placed on the pin to limit current on the digital lines in the case of an over voltage fault.
- **Pin 3 (NC):** Not Connected.
- **Pin 4 (TXD):** The TXD pin is used to transmit the input signal from the microcontroller. A series resistor can be placed to limit the input current to the device in the case of an over-voltage on this pin. A capacitor to ground can be placed close to the input pin of the device to filter noise.
- **Pin 5 (GND):** This is the ground connection for the device. This pin should be tied to the ground plane through a short trace with the use of two vias to limit total return inductance.
- **Pin 6 (LIN):** This pin connects to the LIN bus. For responder mode applications, a 220 pF capacitor to ground is implemented. For commander mode applications, an additional series resistor and blocking diode should be placed between the LIN pin and the V<sub>SUP</sub> pin. See [Figure 10-1](#).
- **Pin 7 (VSUP):** This is the supply pin for the device. A 100 nF decoupling capacitor should be placed as close to the device as possible.
- **Pin 8 (NC):** Not Connected.

---

#### Note

All ground and power connections should be made as short as possible and use at least two vias to minimize the total loop inductance.

---

## 12.2 Layout Example

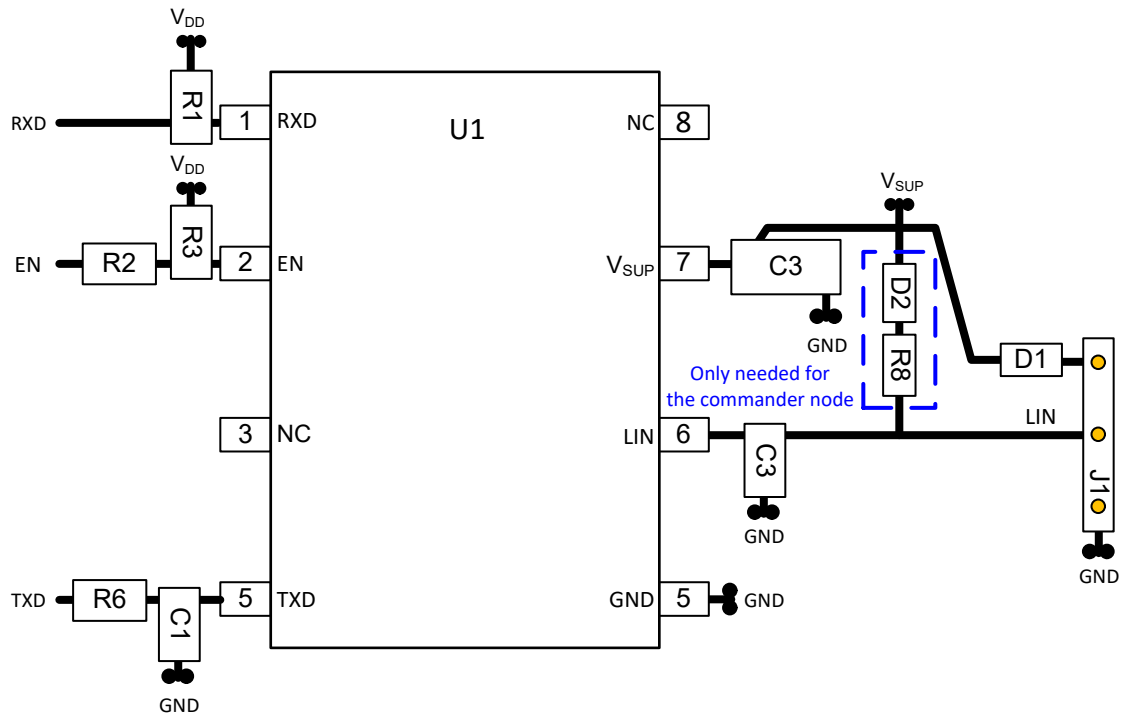


Figure 12-1. Layout Example

## 13 Device and Documentation Support

### 13.1 Documentation Support

#### 13.1.1 Related Documentation

For related documentation see the following:

- LIN Standards:
  - ISO/DIS 17987-1: Road vehicles -- Local Interconnect Network (LIN) -- Part 1: General information and use case definition
  - ISO/DIS 17987-4: Road vehicles -- Local Interconnect Network (LIN) -- Part 4: Electrical Physical Layer (EPL) specification 12V/24V
  - SAEJ2602-1: LIN Network for Vehicle Applications
  - LIN Specifications LIN 2.0, LIN 2.1, LIN 2.2 and LIN 2.2A
- EMC requirements:
  - SAEJ2962-1: Communication Transceivers Qualification Requirements - LIN
  - ISO 10605: Road vehicles - Test methods for electrical disturbances from electrostatic discharge
  - ISO 11452-4:2011: Road vehicles - Component test methods for electrical disturbances from narrowband radiated electromagnetic energy - Part 4: Harness excitation methods
  - ISO 7637-1:2015: Road vehicles - Electrical disturbances from conduction and coupling - Part 1: Definitions and general considerations
  - ISO 7637-3: Road vehicles - Electrical disturbances from conduction and coupling - Part 3: Electrical transient transmission by capacitive and inductive coupling via lines other than supply lines
  - IEC 62132-4:2006: Integrated circuits - Measurement of electromagnetic immunity 150 kHz to 1 GHz - Part 4: Direct RF power injection method
  - IEC 61000-4-2
  - IEC 61967-4
  - CISPR25
- Conformance Test requirements:
  - ISO/DIS 17987-7.2: Road vehicles -- Local Interconnect Network (LIN) -- Part 7: Electrical Physical Layer (EPL) conformance test specification
  - SAEJ2602-2: LIN Network for Vehicle Applications Conformance Test
- 

#### 13.2 Receiving Notification of Documentation Updates

To receive notification of documentation updates, navigate to the device product folder on ti.com. In the upper right corner, click on *Alert me* to register and receive a weekly digest of any product information that has changed. For change details, review the revision history included in any revised document.

#### 13.3 Support Resources

[TI E2E™ support forums](#) are an engineer's go-to source for fast, verified answers and design help — straight from the experts. Search existing answers or ask your own question to get the quick design help you need.

Linked content is provided "AS IS" by the respective contributors. They do not constitute TI specifications and do not necessarily reflect TI's views; see TI's [Terms of Use](#).

#### 13.4 Trademarks

TI E2E™ is a trademark of Texas Instruments.  
All trademarks are the property of their respective owners.

#### 13.5 Electrostatic Discharge Caution



This integrated circuit can be damaged by ESD. Texas Instruments recommends that all integrated circuits be handled with appropriate precautions. Failure to observe proper handling and installation procedures can cause damage.

ESD damage can range from subtle performance degradation to complete device failure. Precision integrated circuits may be more susceptible to damage because very small parametric changes could cause the device not to meet its published specifications.

## 13.6 Glossary

[TI Glossary](#) This glossary lists and explains terms, acronyms, and definitions.

## 14 Mechanical, Packaging, and Orderable Information

The following pages include mechanical, packaging, and orderable information. This information is the most current data available for the designated devices. This data is subject to change without notice and revision of this document. For browser-based versions of this data sheet, refer to the left-hand navigation.



**PACKAGING INFORMATION**

Orderable Device	Status (1)	Package Type	Package Drawing	Pins	Package Qty	Eco Plan (2)	Lead finish/ Ball material (6)	MSL Peak Temp (3)	Op Temp (°C)	Device Marking (4/5)	Samples
TLIN2027DRBRQ1	ACTIVE	SON	DRB	8	3000	RoHS & Green	NIPDAU	Level-2-260C-1 YEAR	-40 to 125	TL027	<a href="#">Samples</a>
TLIN2027DRQ1	ACTIVE	SOIC	D	8	2500	RoHS & Green	NIPDAUAG	Level-1-260C-UNLIM	-40 to 125	TL027	<a href="#">Samples</a>

(1) The marketing status values are defined as follows:

**ACTIVE:** Product device recommended for new designs.

**LIFEBUY:** TI has announced that the device will be discontinued, and a lifetime-buy period is in effect.

**NRND:** Not recommended for new designs. Device is in production to support existing customers, but TI does not recommend using this part in a new design.

**PREVIEW:** Device has been announced but is not in production. Samples may or may not be available.

**OBSELETE:** TI has discontinued the production of the device.

(2) **RoHS:** TI defines "RoHS" to mean semiconductor products that are compliant with the current EU RoHS requirements for all 10 RoHS substances, including the requirement that RoHS substance do not exceed 0.1% by weight in homogeneous materials. Where designed to be soldered at high temperatures, "RoHS" products are suitable for use in specified lead-free processes. TI may reference these types of products as "Pb-Free".

**RoHS Exempt:** TI defines "RoHS Exempt" to mean products that contain lead but are compliant with EU RoHS pursuant to a specific EU RoHS exemption.

**Green:** TI defines "Green" to mean the content of Chlorine (Cl) and Bromine (Br) based flame retardants meet JS709B low halogen requirements of <=1000ppm threshold. Antimony trioxide based flame retardants must also meet the <=1000ppm threshold requirement.

(3) MSL, Peak Temp. - The Moisture Sensitivity Level rating according to the JEDEC industry standard classifications, and peak solder temperature.

(4) There may be additional marking, which relates to the logo, the lot trace code information, or the environmental category on the device.

(5) Multiple Device Markings will be inside parentheses. Only one Device Marking contained in parentheses and separated by a "~" will appear on a device. If a line is indented then it is a continuation of the previous line and the two combined represent the entire Device Marking for that device.

(6) Lead finish/Ball material - Orderable Devices may have multiple material finish options. Finish options are separated by a vertical ruled line. Lead finish/Ball material values may wrap to two lines if the finish value exceeds the maximum column width.

**Important Information and Disclaimer:**The information provided on this page represents TI's knowledge and belief as of the date that it is provided. TI bases its knowledge and belief on information provided by third parties, and makes no representation or warranty as to the accuracy of such information. Efforts are underway to better integrate information from third parties. TI has taken and continues to take reasonable steps to provide representative and accurate information but may not have conducted destructive testing or chemical analysis on incoming materials and chemicals. TI and TI suppliers consider certain information to be proprietary, and thus CAS numbers and other limited information may not be available for release.

In no event shall TI's liability arising out of such information exceed the total purchase price of the TI part(s) at issue in this document sold by TI to Customer on an annual basis.



**TAPE AND REEL INFORMATION**

**QUADRANT ASSIGNMENTS FOR PIN 1 ORIENTATION IN TAPE**


\*All dimensions are nominal

Device	Package Type	Package Drawing	Pins	SPQ	Reel Diameter (mm)	Reel Width W1 (mm)	A0 (mm)	B0 (mm)	K0 (mm)	P1 (mm)	W (mm)	Pin1 Quadrant
TLIN2027DRBRQ1	SON	DRB	8	3000	330.0	12.4	3.3	3.3	1.1	8.0	12.0	Q2
TLIN2027DRQ1	SOIC	D	8	2500	330.0	12.4	6.4	5.2	2.1	8.0	12.0	Q1

**TAPE AND REEL BOX DIMENSIONS**


\*All dimensions are nominal

Device	Package Type	Package Drawing	Pins	SPQ	Length (mm)	Width (mm)	Height (mm)
TLIN2027DRBRQ1	SON	DRB	8	3000	367.0	367.0	35.0
TLIN2027DRQ1	SOIC	D	8	2500	366.0	364.0	50.0



D0008A

# PACKAGE OUTLINE

SOIC - 1.75 mm max height

SMALL OUTLINE INTEGRATED CIRCUIT



4214825/C 02/2019

NOTES:

- Linear dimensions are in inches [millimeters]. Dimensions in parenthesis are for reference only. Controlling dimensions are in inches. Dimensioning and tolerancing per ASME Y14.5M.
- This drawing is subject to change without notice.
- This dimension does not include mold flash, protrusions, or gate burrs. Mold flash, protrusions, or gate burrs shall not exceed  $.006$  [0.15] per side.
- This dimension does not include interlead flash.
- Reference JEDEC registration MS-012, variation AA.

# EXAMPLE BOARD LAYOUT

D0008A

SOIC - 1.75 mm max height

SMALL OUTLINE INTEGRATED CIRCUIT



LAND PATTERN EXAMPLE  
EXPOSED METAL SHOWN  
SCALE:8X



SOLDER MASK DETAILS

4214825/C 02/2019

NOTES: (continued)

6. Publication IPC-7351 may have alternate designs.

7. Solder mask tolerances between and around signal pads can vary based on board fabrication site.

# EXAMPLE STENCIL DESIGN

D0008A

SOIC - 1.75 mm max height

SMALL OUTLINE INTEGRATED CIRCUIT



SOLDER PASTE EXAMPLE  
BASED ON .005 INCH [0.125 MM] THICK STENCIL  
SCALE:8X

4214825/C 02/2019

NOTES: (continued)

8. Laser cutting apertures with trapezoidal walls and rounded corners may offer better paste release. IPC-7525 may have alternate design recommendations.
9. Board assembly site may have different recommendations for stencil design.

**DRB 8**

**GENERIC PACKAGE VIEW**

**VSON - 1 mm max height**

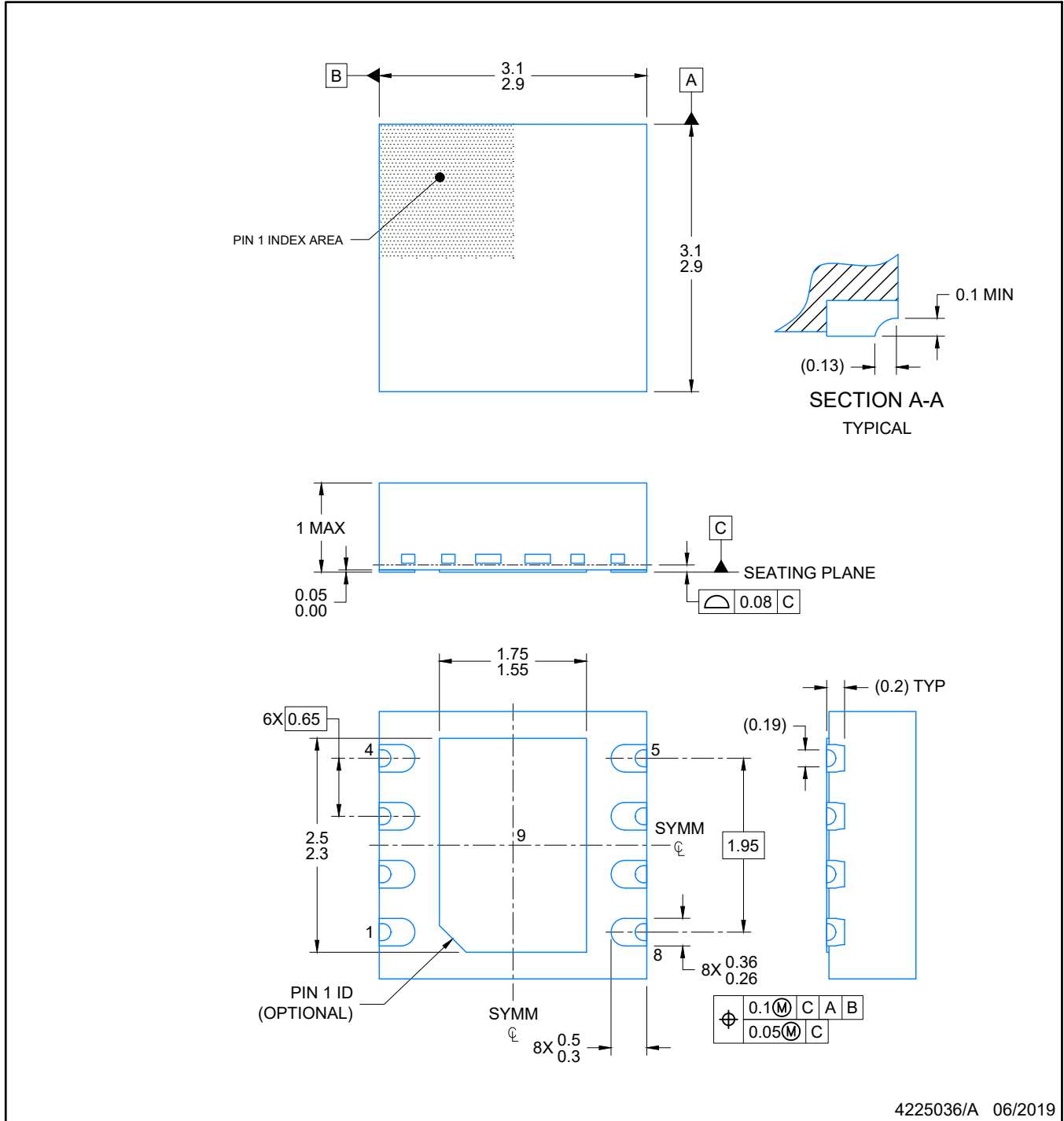
PLASTIC SMALL OUTLINE - NO LEAD



Images above are just a representation of the package family, actual package may vary.  
Refer to the product data sheet for package details.

4203482/L

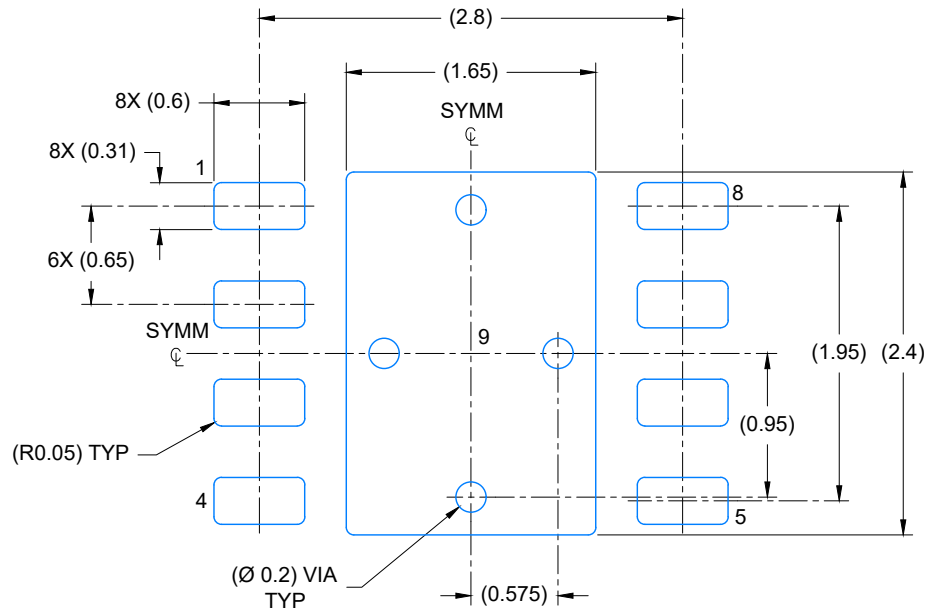




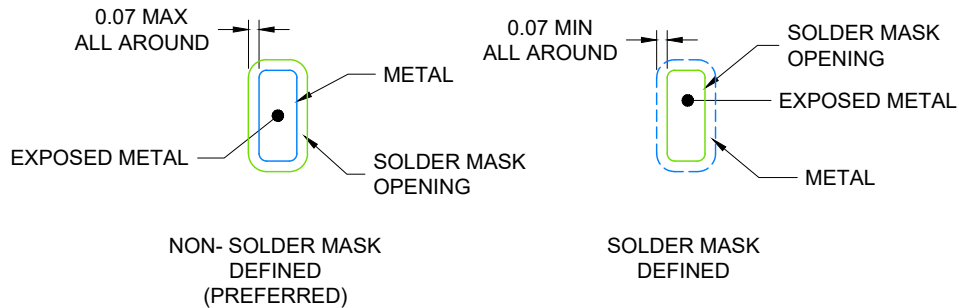
4225036/A 06/2019

NOTES:

1. All linear dimensions are in millimeters. Any dimensions in parenthesis are for reference only. Dimensioning and tolerancing per ASME Y14.5M.
2. This drawing is subject to change without notice.
3. The package thermal pad must be soldered to the printed circuit board for optimal thermal and mechanical performance.



LAND PATTERN EXAMPLE  
EXPOSED METAL SHOWN  
SCALE: 20X

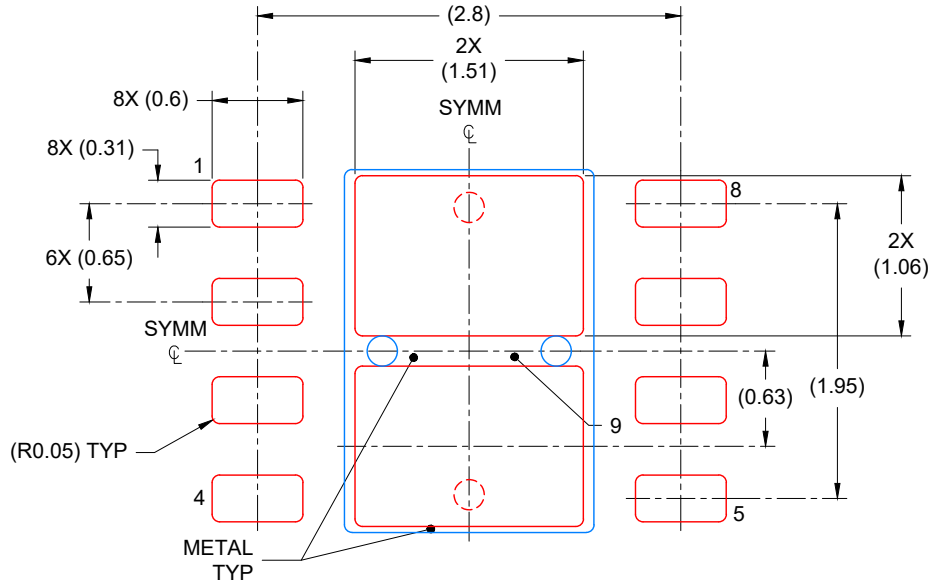


SOLDER MASK DETAILS

4225036/A 06/2019

NOTES: (continued)

4. This package is designed to be soldered to a thermal pad on the board. For more information, see Texas Instruments literature number SLUA271 ([www.ti.com/lit/sluea271](http://www.ti.com/lit/sluea271)).
5. Vias are optional depending on application, refer to device data sheet. If any vias are implemented, refer to their locations shown on this view. It is recommended that vias under paste be filled, plugged or tented.



SOLDER PASTE EXAMPLE  
 BASED ON 0.125 mm THICK STENCIL

EXPOSED PAD  
 81% PRINTED COVERAGE BY AREA  
 SCALE: 20X

4225036/A 06/2019

NOTES: (continued)

6. Laser cutting apertures with trapezoidal walls and rounded corners may offer better paste release. IPC-7525 may have alternate design recommendations.

## IMPORTANT NOTICE AND DISCLAIMER

TI PROVIDES TECHNICAL AND RELIABILITY DATA (INCLUDING DATA SHEETS), DESIGN RESOURCES (INCLUDING REFERENCE DESIGNS), APPLICATION OR OTHER DESIGN ADVICE, WEB TOOLS, SAFETY INFORMATION, AND OTHER RESOURCES "AS IS" AND WITH ALL FAULTS, AND DISCLAIMS ALL WARRANTIES, EXPRESS AND IMPLIED, INCLUDING WITHOUT LIMITATION ANY IMPLIED WARRANTIES OF MERCHANTABILITY, FITNESS FOR A PARTICULAR PURPOSE OR NON-INFRINGEMENT OF THIRD PARTY INTELLECTUAL PROPERTY RIGHTS.

These resources are intended for skilled developers designing with TI products. You are solely responsible for (1) selecting the appropriate TI products for your application, (2) designing, validating and testing your application, and (3) ensuring your application meets applicable standards, and any other safety, security, regulatory or other requirements.

These resources are subject to change without notice. TI grants you permission to use these resources only for development of an application that uses the TI products described in the resource. Other reproduction and display of these resources is prohibited. No license is granted to any other TI intellectual property right or to any third party intellectual property right. TI disclaims responsibility for, and you will fully indemnify TI and its representatives against, any claims, damages, costs, losses, and liabilities arising out of your use of these resources.

TI's products are provided subject to [TI's Terms of Sale](#) or other applicable terms available either on [ti.com](http://ti.com) or provided in conjunction with such TI products. TI's provision of these resources does not expand or otherwise alter TI's applicable warranties or warranty disclaimers for TI products.

TI objects to and rejects any additional or different terms you may have proposed.

Mailing Address: Texas Instruments, Post Office Box 655303, Dallas, Texas 75265  
Copyright © 2022, Texas Instruments Incorporated