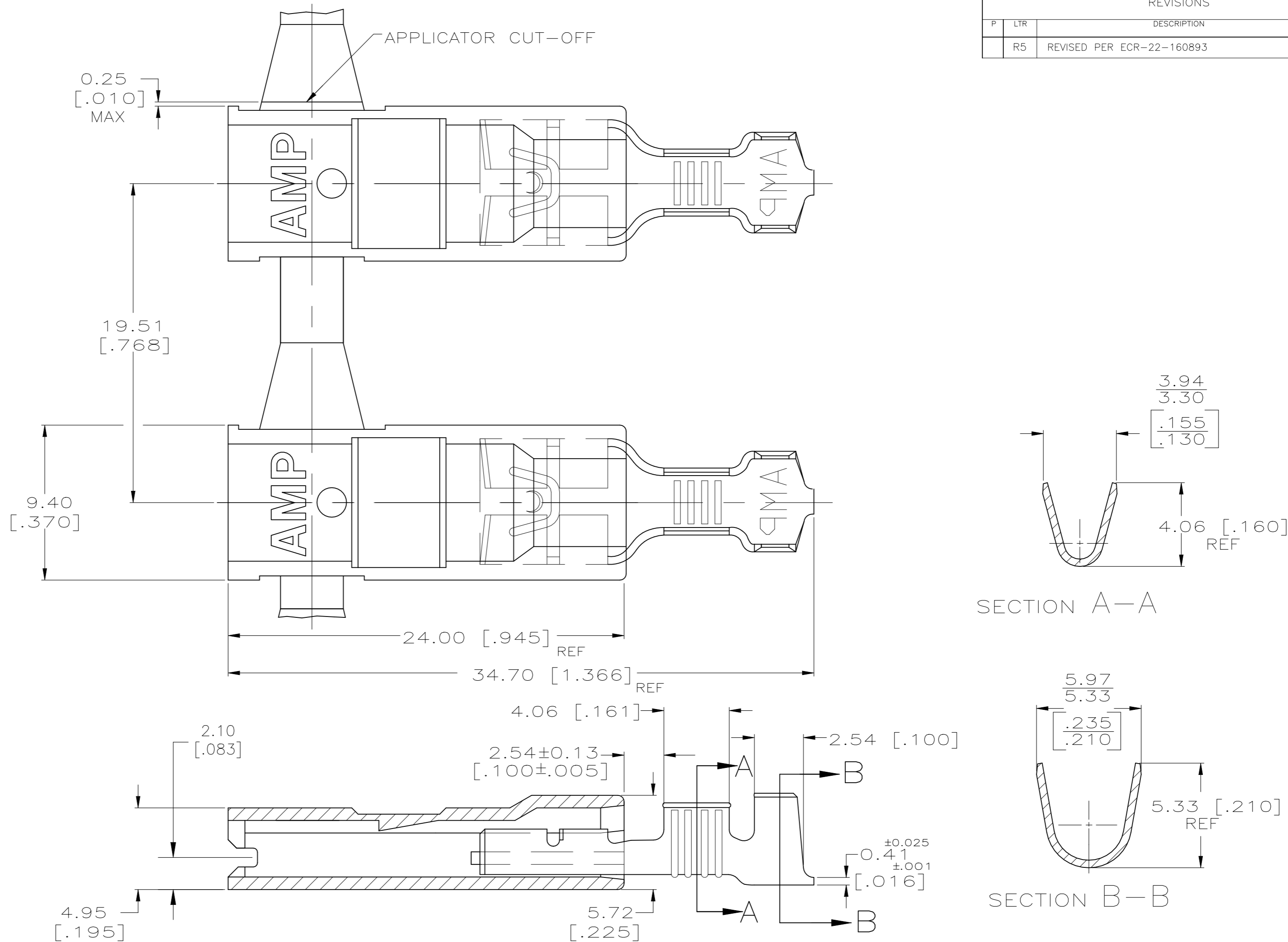


REVISIONS					
P	LTR	DESCRIPTION	DATE	DWN	APVD
R5		REVISED PER ECR-22-160893	14DEC2022	DB	BW



1 LOW-INSERTION FASTON TERMINALS, BASE P/N 63306, ARE USED IN THIS PRODUCT.

2 TIN PLATE PER MIL-T-10727.

3 MATERIAL: HOUSING - 6/6 NYLON
TERMINAL - BRASS

4 FINISH: HOUSING - COLOR, NATURAL
TERMINAL - SEE TABLE

OBSOLETE	BULK	2 TIN PLATE	2.79-4.32 [.110-.170] DIA	0.8-2.0 mm ² [18-14]	0.813 [.032]	-5-520963-2
OBSOLETE	BULK	PLAIN				-5-520963-1
	STANDARD	2 TIN PLATE				520963-2
	STANDARD	PLAIN				520963-1
	PACKAGING	TERMINAL FINISH	INSULATION RANGE	WIRE SIZE	MATING TAB THK ±0.025 [±.001]	PART NO.

THIS DRAWING IS A CONTROLLED DOCUMENT.		DWN	JR RUTH	6/27/89	 TE Connectivity ASSEMBLY, ULTRA-POD, RECEPTACLE, 6.35 [.250] SERIES
DIMENSIONS:		CHK	MS FEHER	6/27/89	
INCHES		APVD	R KUZO	6/27/89	
TOLERANCES UNLESS OTHERWISE SPECIFIED:		PRODUCT SPEC		108-1285	NAME
0 PLC	± -	APPLICATION SPEC		114-2124	SIZE
1 PLC	± -			0.000000	CAGE CODE
2 PLC	± -			A2	00779
3 PLC	± 0.25 [.010]			C=520963	DRAWING NO
4 PLC	± -				RESTRICTED TO
ANGLES	± -				
FINISH	4				
MATERIAL		CUSTOMER DRAWING		SCALE	5:1
				SHEET	1 of 1
				REV	R5