

4

3

2

1

THIS DRAWING IS UNPUBLISHED.

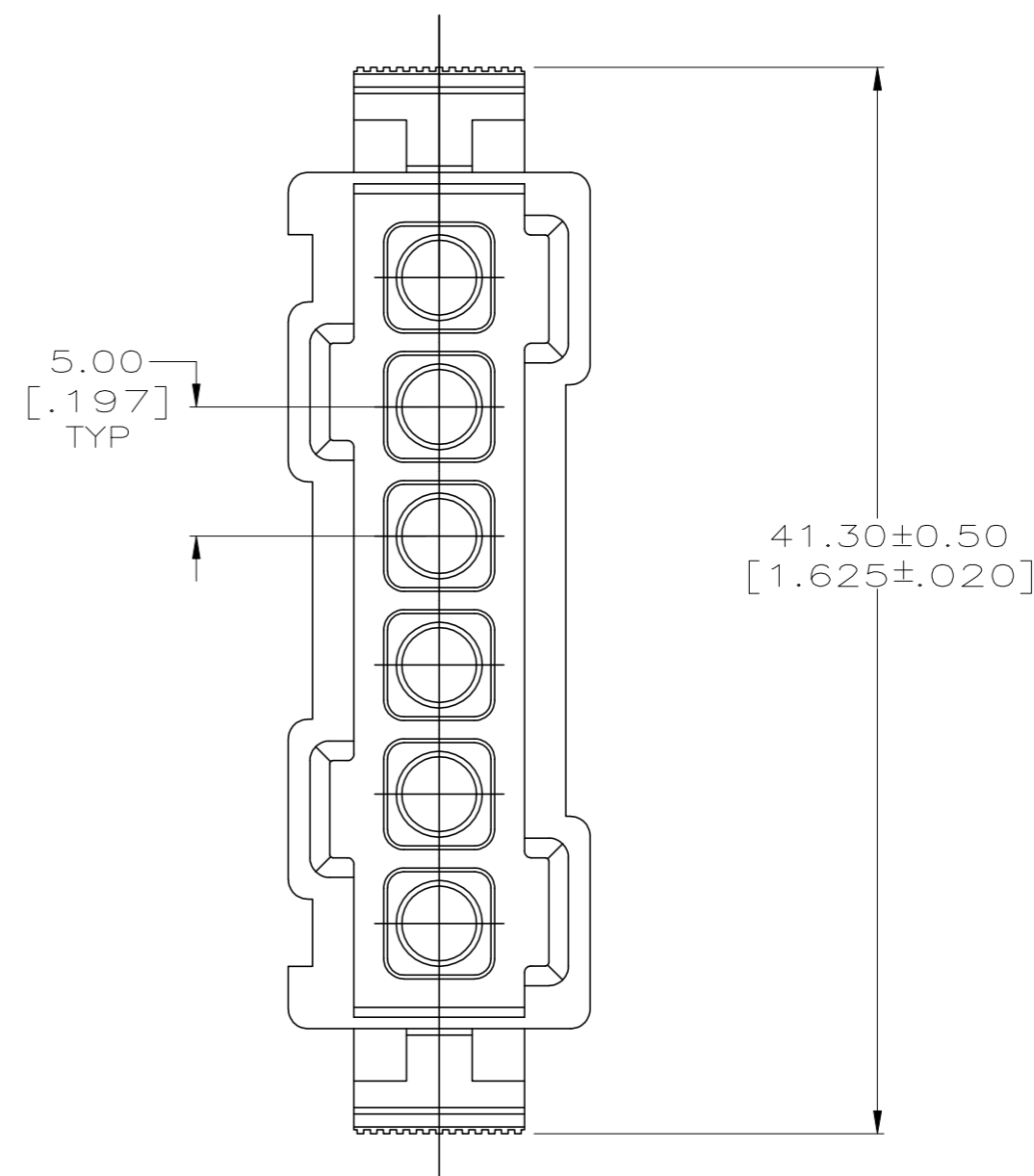
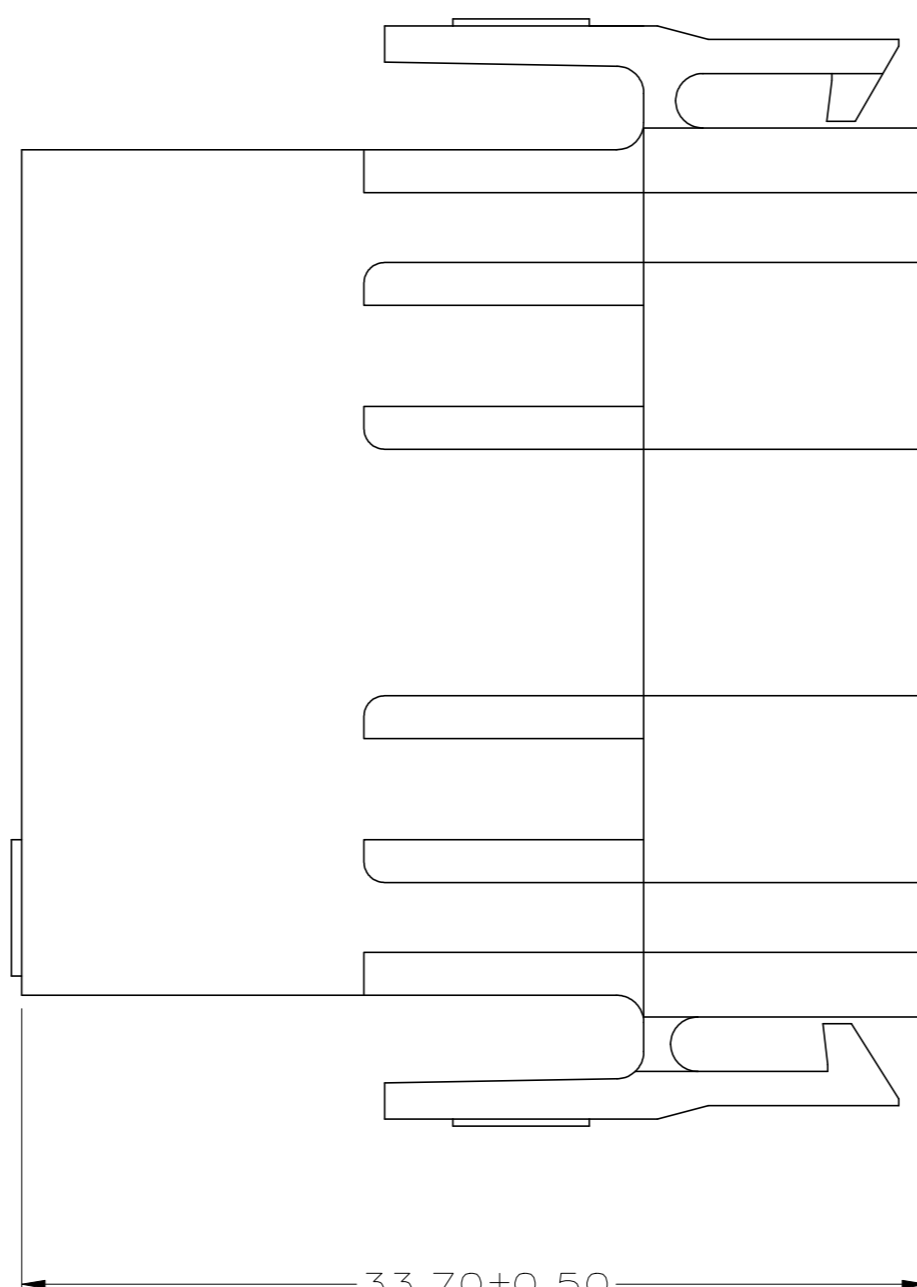
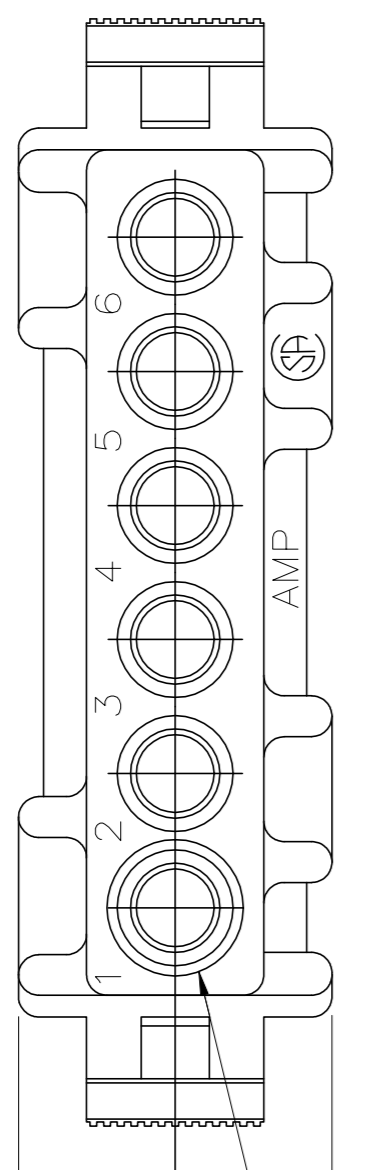
RELEASED FOR PUBLICATION

ALL RIGHTS RESERVED.

© COPYRIGHT - TE Connectivity Ltd.

REVISIONS

P	LTR	DESCRIPTION	DATE	DWN	APVD
C		REDRAWN	14AUG1991	-	-
D		REVISED PER ECO-20-001558	06FEB2020	SG	MZ



12.32 MAX
[.485]

33.70±0.50
[1.327±.020]

RAISED CAVITY IDENTIFICATION
ON REAR FACE ONLY.

1 HOUSING MATERIAL: PA66, BLACK, UL 94 V-0 RATED

207376-1

PART
NUMBER

THIS DRAWING IS A CONTROLLED DOCUMENT.		DWN A. STAUB BG 14 AUG 91	TE TE Connectivity	
DIMENSIONS: mm [INCHES]		CHK J. McCLINTON 23 SEP 91		
TOLERANCES UNLESS OTHERWISE SPECIFIED:		APVD A. TRAVIS 23 SEP 91	NAME	
0 PLC ± -	1 PLC ± -	PRODUCT SPEC	HOUSING, RECEPTACLE, 6 POSITION, IN-LINE, FREE HANGING, METRIMATE	
2 PLC ± -	3 PLC ± 0.25[.010]	APPLICATION SPEC	SIZE	CAGE CODE
4 PLC ± -	ANGLES ± -	FINISH	A2	00779
MATERIAL	1	WEIGHT	DRAWING NO C=207376	
CUSTOMER DRAWING		SCALE	4:1	SHEET
		1 OF 1		REV
				D

207376

B

A