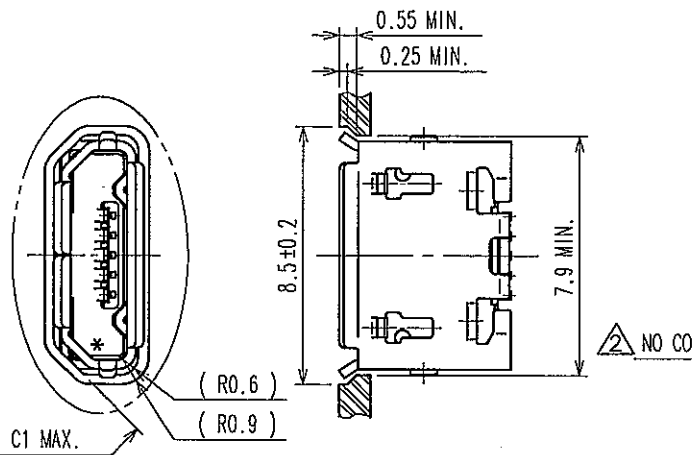
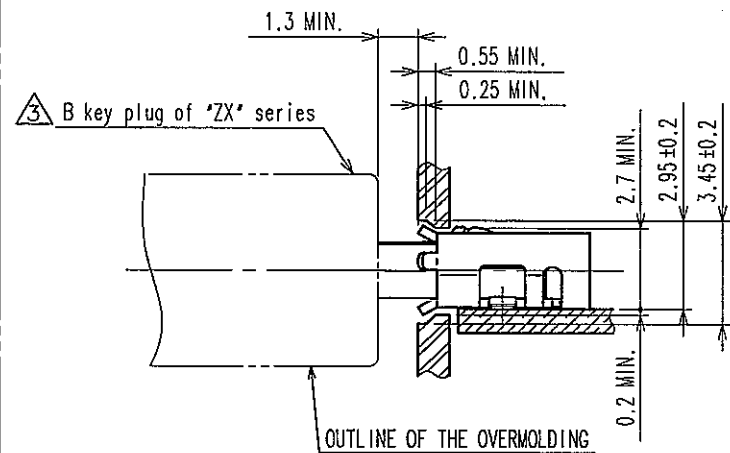


RECOMMENDED PANEL CUTOUT (4 : 1)

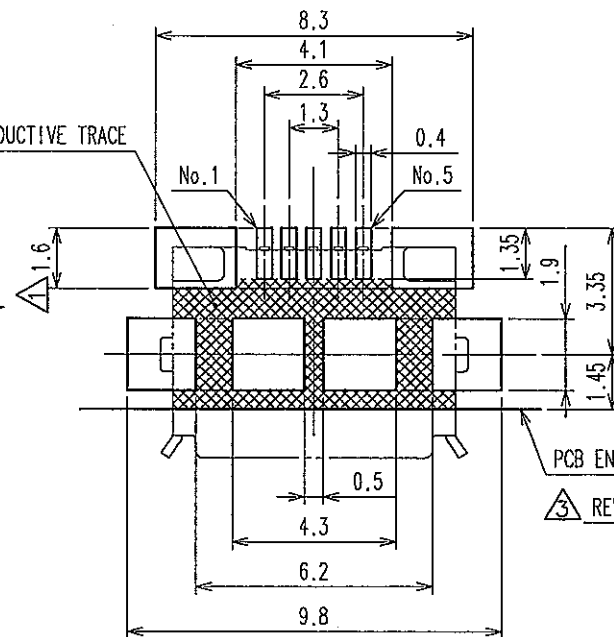


MATED WITH CORRESPONDING PLUG (4 : 1)

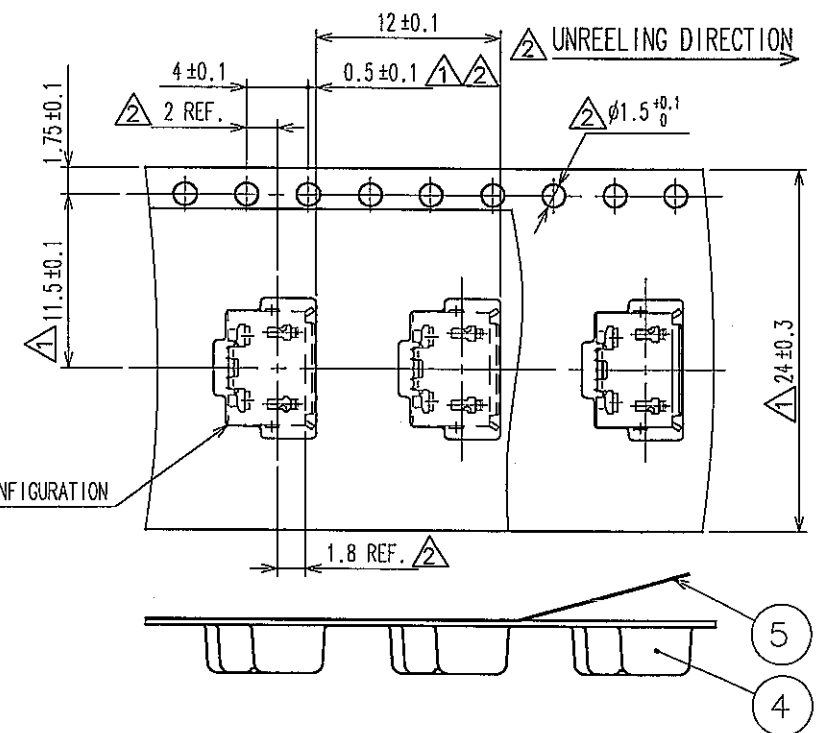


PCB LAYOUT

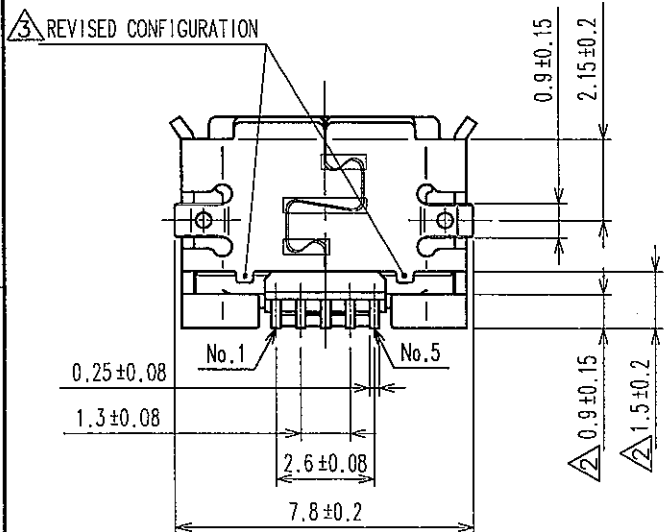
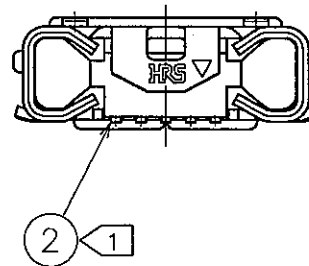
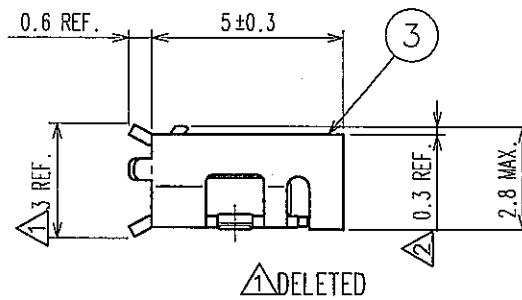
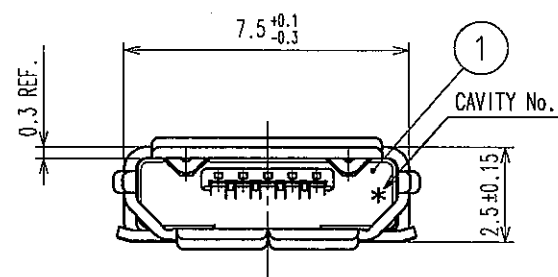
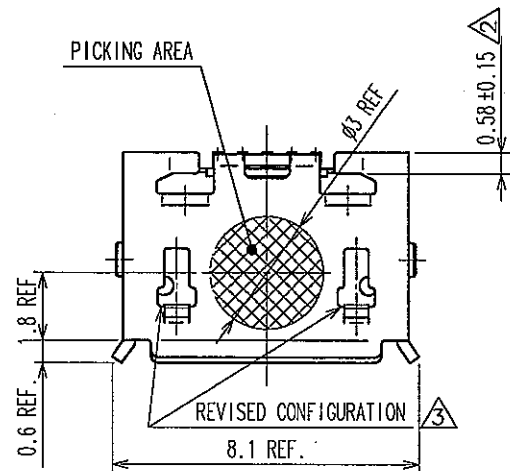
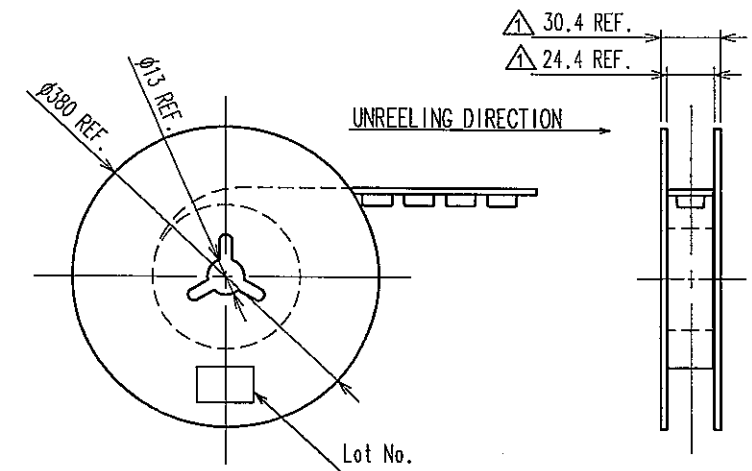
* General tolerance is ±0.05mm.



DRAWING FOR PACKING (2 : 1)



REEL (FREE)



- NOTES
- 1 CO-PLANARITY IS WITHIN 0.08 mm.
 - 2 PLATING
CONTACT AREA : GOLD 0.75μ m min.
LEAD AREA : GOLD 0.03μ m min.
UNDER PLATING: NICKEL 2μ m min.
 - 3 PER REEL : 2000 pcs.
 - 4. INTERFACE DIMENSIONS CONFORM TO USB2.0 SPECIFICATION.

COUNT	DESCRIPTION OF REVISIONS	BY	CHKD	DATE	COUNT	DESCRIPTION OF REVISIONS	BY	CHKD	DATE
9	PCB LAYOUT, PER REEL 2000 pcs, etc	H.A	R.K	07.01.25					
13	REVISED DIMENSION	H.A	K.I	07.01.31					
4	REVISED CONFIGURATION	H.A	T.T	07.03.06					

2	COPPER ALLLOY	2			5	PE	
1	LCP	BLACK, UL94V-0			4	PS	
					3	STAINLESS STEEL	TIN PLATING 1μ m min. LUBRICANT
NO.	MATERIAL	FINISH, REMARKS	NO.	MATERIAL	FINISH, REMARKS		
CODE NO. (OLD)			DRAWN	DESIGNED	CHECKED	APPROVED	RELEASED
DRAWING FOR REFERENCE			H.ANDO	H.ANDO	H.KOBAYASHI	A.SUZUKI	ENG 07.3.6 DEPT
This is subject to change without notice.			06.12.28	06.12.28	06.12.28	06.12.28	
SCALE			DRAWING NO.		PART NO.		
5 : 1			TEDC3-123598-01		ZX62-B-5P		
UNITS			HRS		CODE NO.		
mm			HIROSE ELECTRIC CO., LTD		CL242-0026-2		

TO