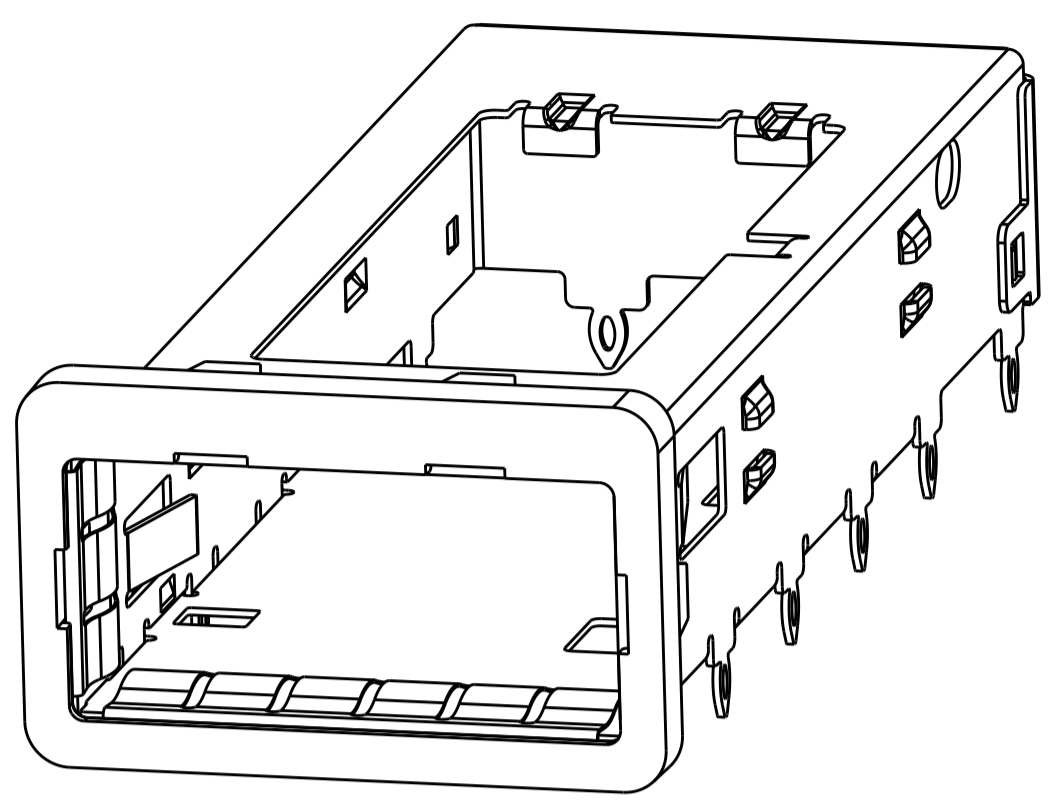
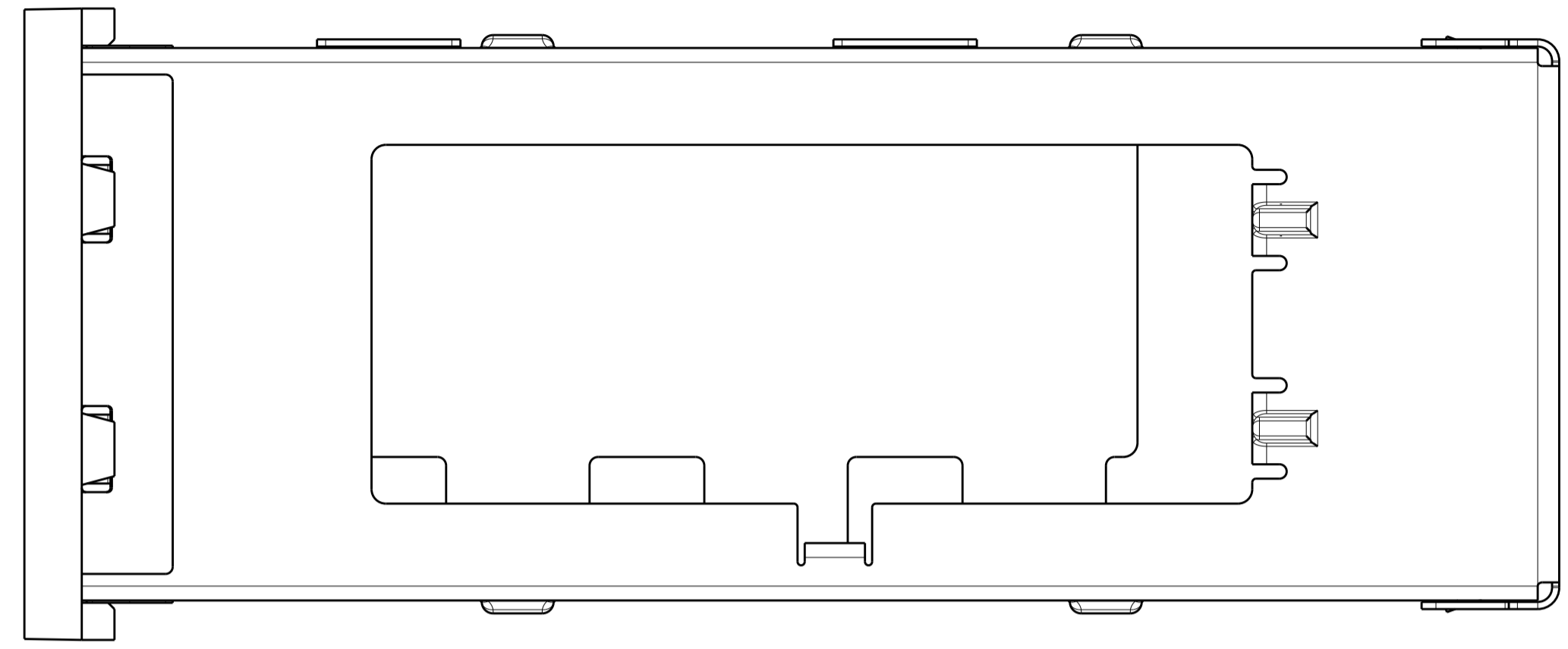


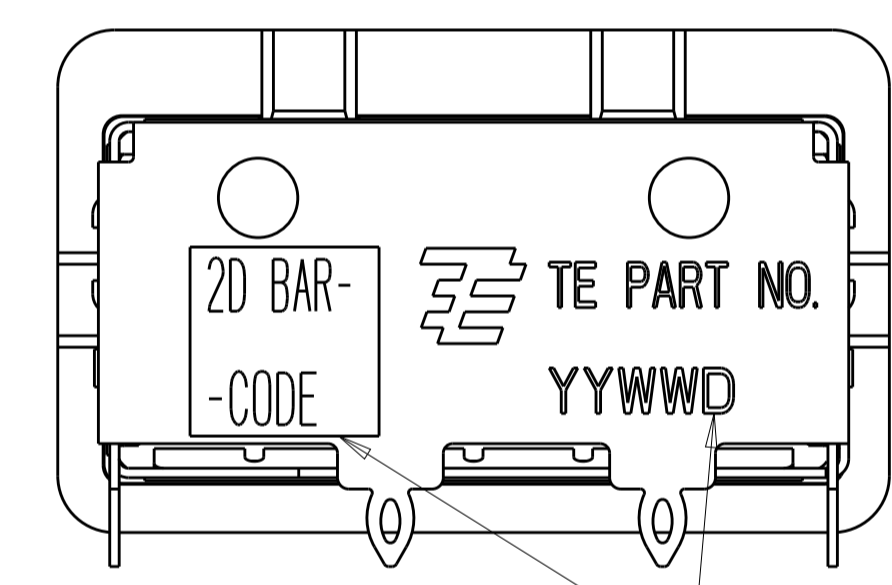
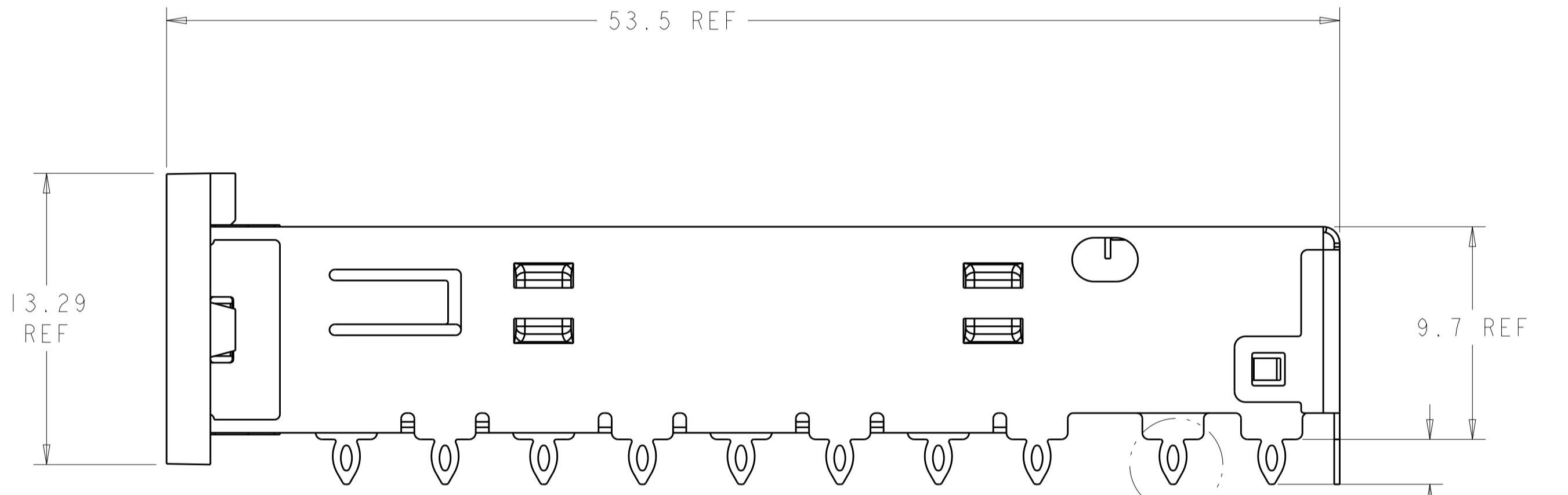
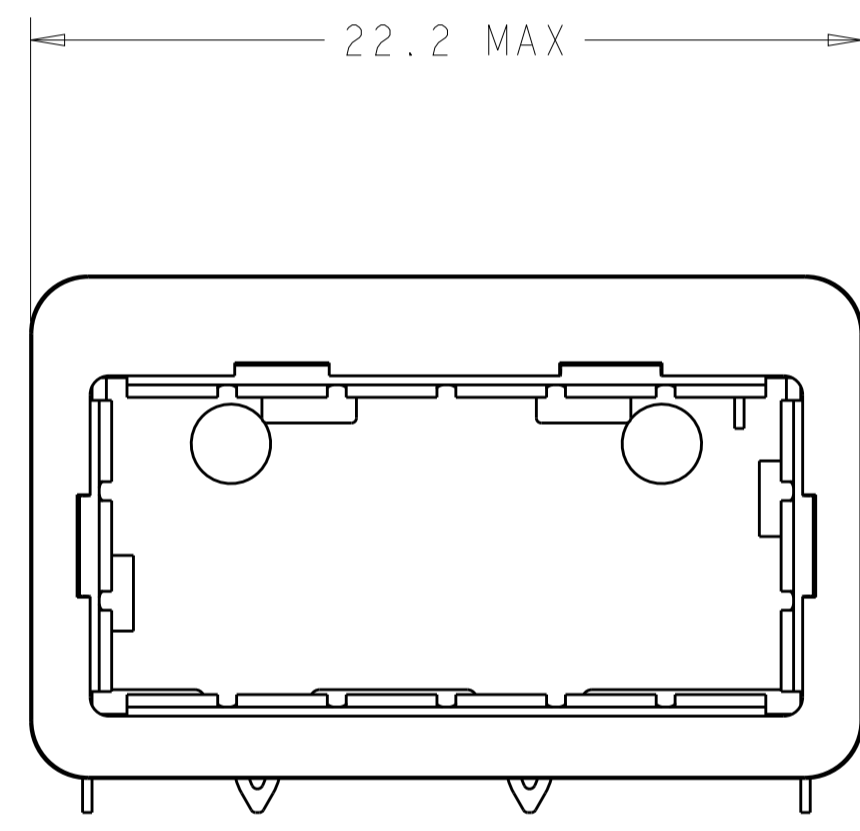
REVISIONS				
P.	LTN	DESCRIPTION	DATE	APVD
C	REV PER	ECR-13-013755	30AUG2013	RG AC
D	REVISE PER	ECO-14-018993	22DEC2014	RG MC
D1	REVISED PER	ECO-15-000148	9APR2015	RG MC



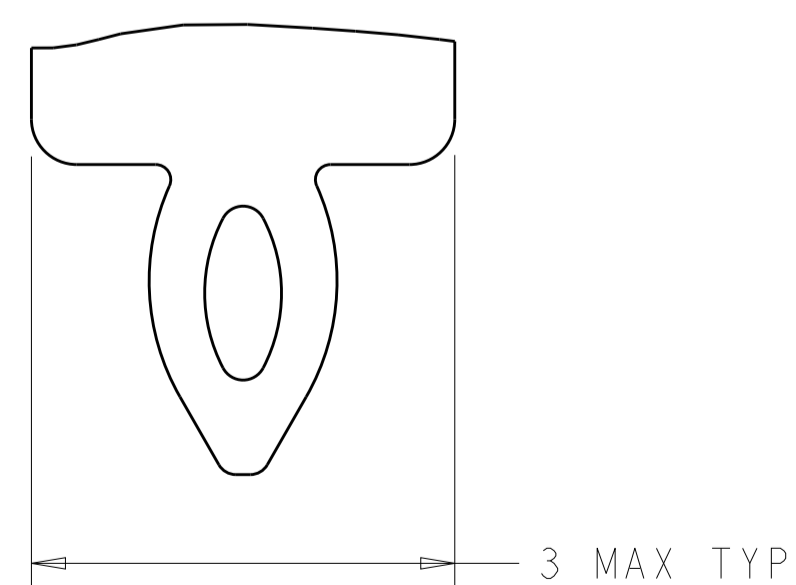
ISOMETRIC VIEW  
SCALE 4:1



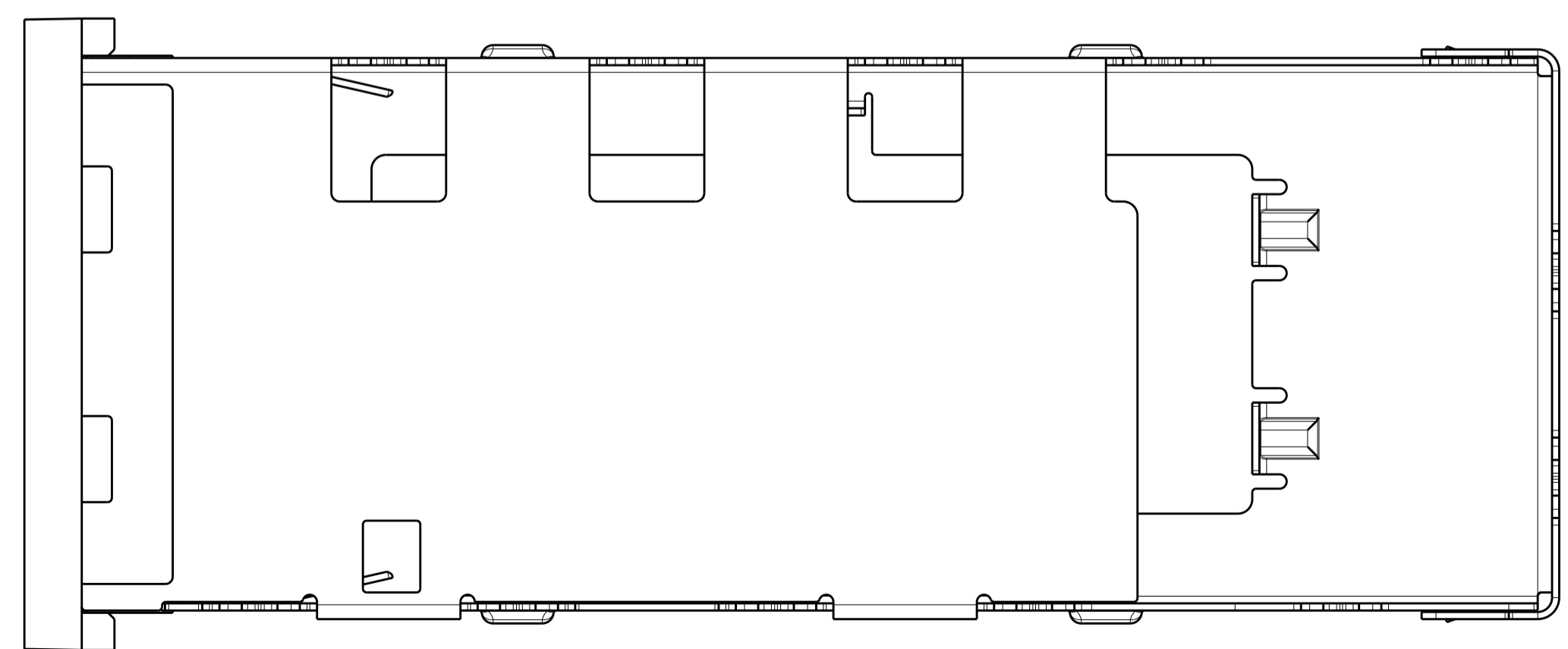
- 1 SURFACE TRACES PERMITTED WITHIN THIS LENGTH EXCEPT WHERE CAGE STANDOFFS, SHOWN IN DETAIL J, CONTACT PC BOARD.
- 2 MINIMUM PITCH DIMENSION.
- 3. MATES WITH QSFP MSA COMPATIBLE TRANSCEIVER.
- 4 REFERENCE APPLICATION SPEC 114-13218 FOR RECOMMENDED DRILL HOLE DIAMETER AND PLATING THICKNESS.
- 5 DATUM AND BASIC DIMENSIONS ESTABLISHED BY CUSTOMERS.
- 6 DIMENSION C IS THE NOMINAL THICKNESS OF CUSTOMER SUPPLIED PC BOARD,  
SINGLE SIDED PC BOARD MINIMUM THICKNESS: 1.45  
DOUBLE SIDED PC BOARD MINIMUM THICKNESS: 2.7.
- 7 DATUM -A- IS TOP SURFACE OF THE HOST BOARD.
- 8 2D BARCODE AND DATE CODE (YYWW) MARKED APPROXIMATELY AS SHOWN.
- 9 CAGE MATERIAL: 0.25 THICK NICKEL SILVER  
EMI SPRING MATERIAL: COPPER ALLOY  
FRONT FLANGE MATERIAL: ZINC ALLOY.
- 10 EMI SPRING FINISH: 2µm TIN  
FRONT FLANGE FINISH: 3µm MIN THICK TIN OVER 1.27µm  
MIN THICK NICKEL OVER 5.08µm  
MIN THICK COPPER.



SEE DETAIL J



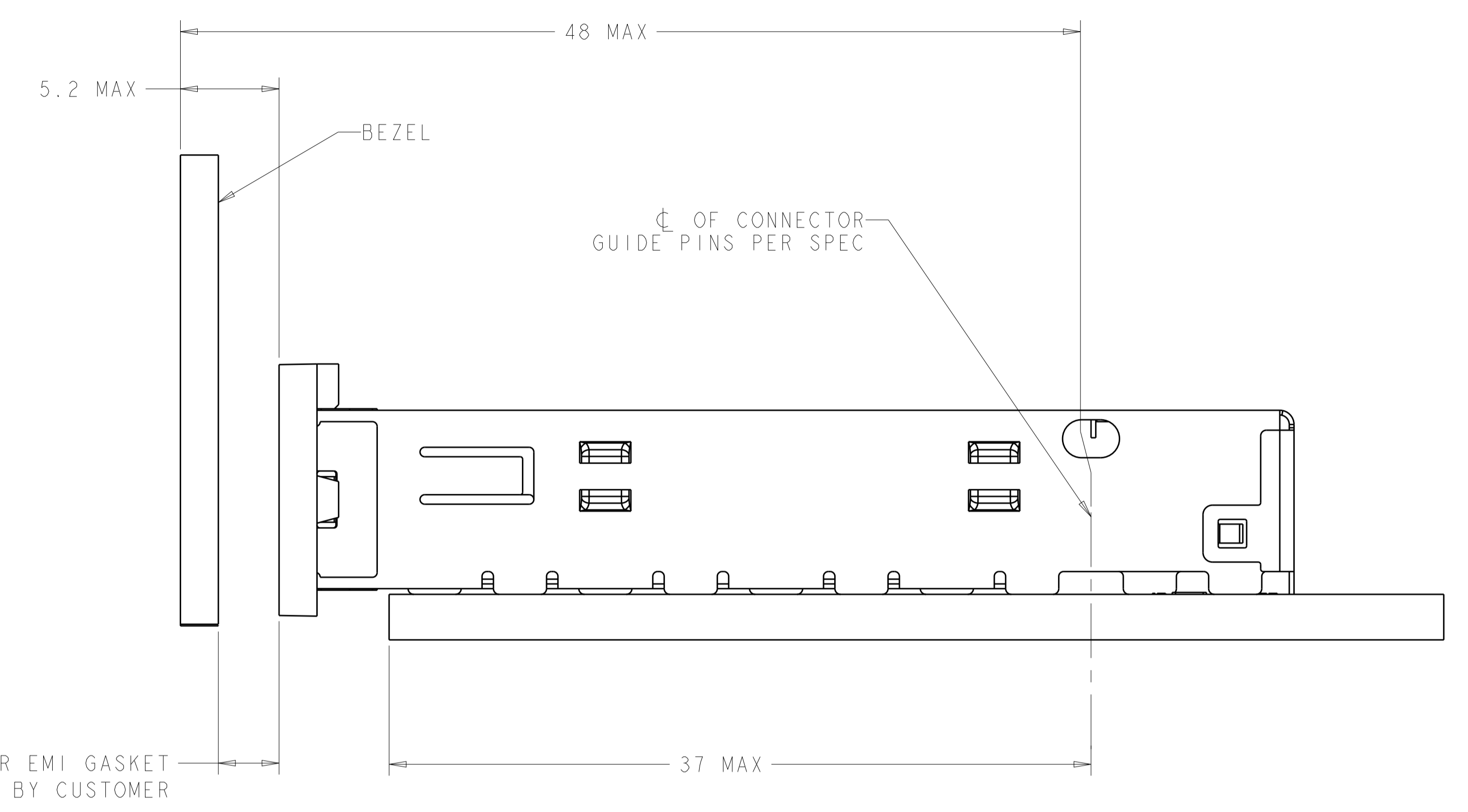
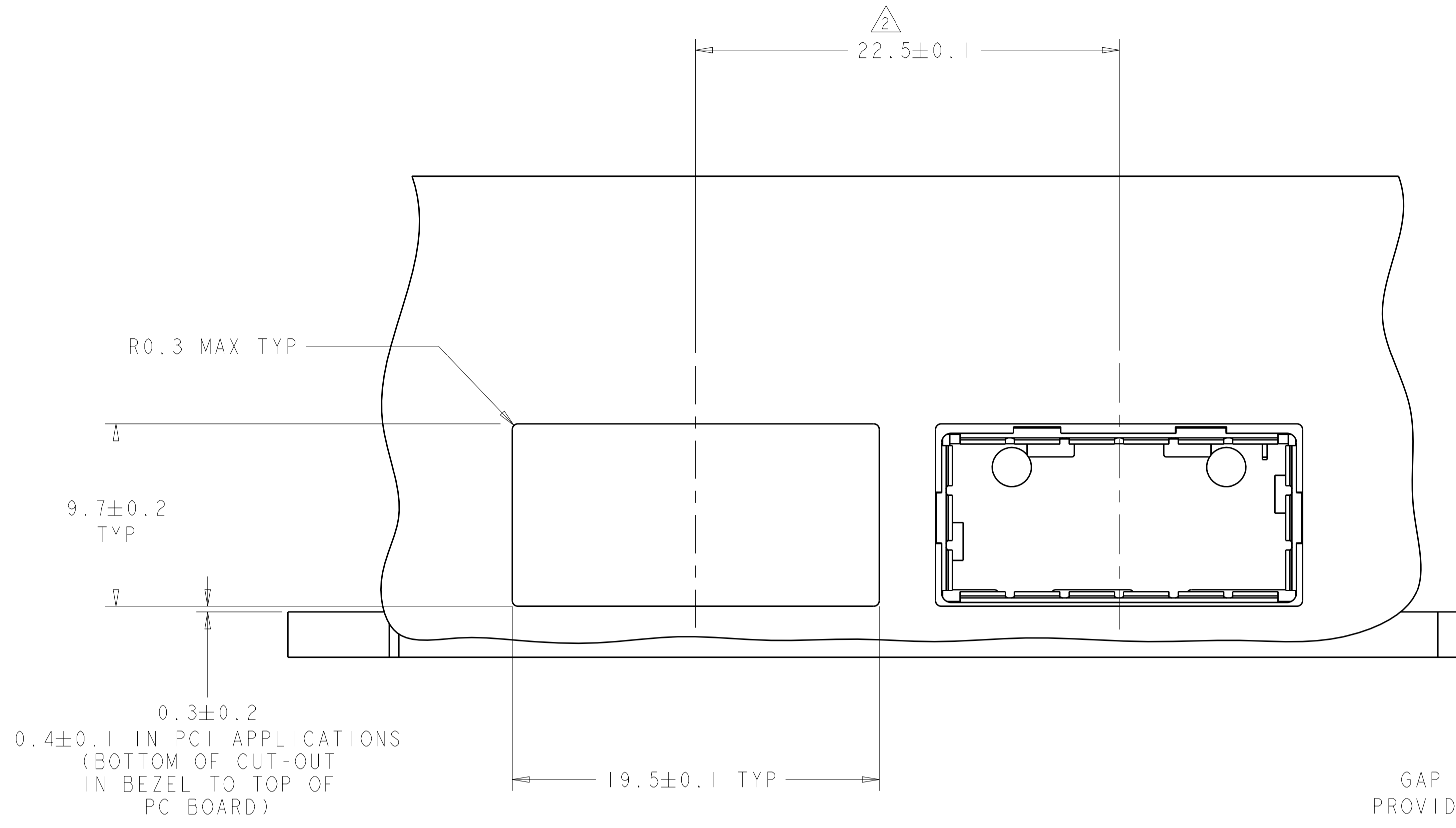
DETAIL J  
SCALE 20:1



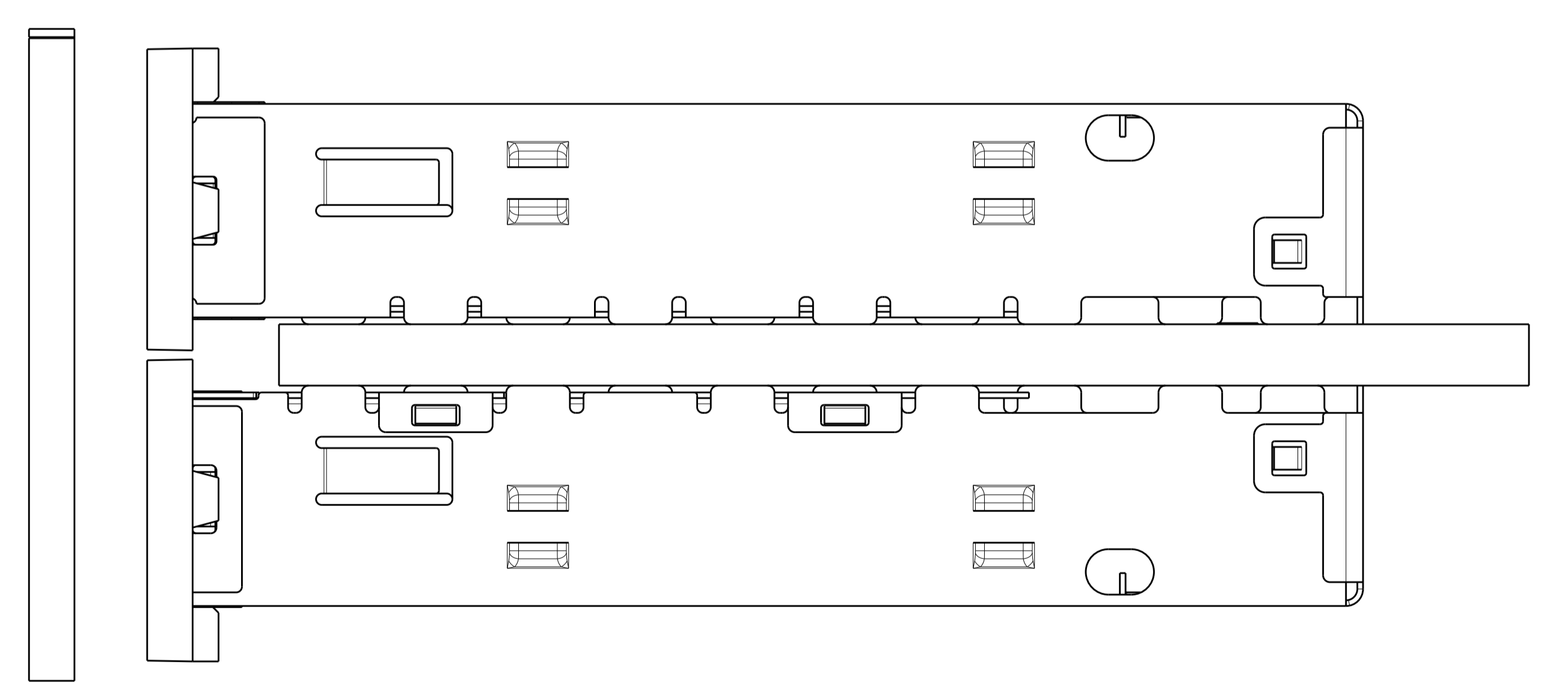
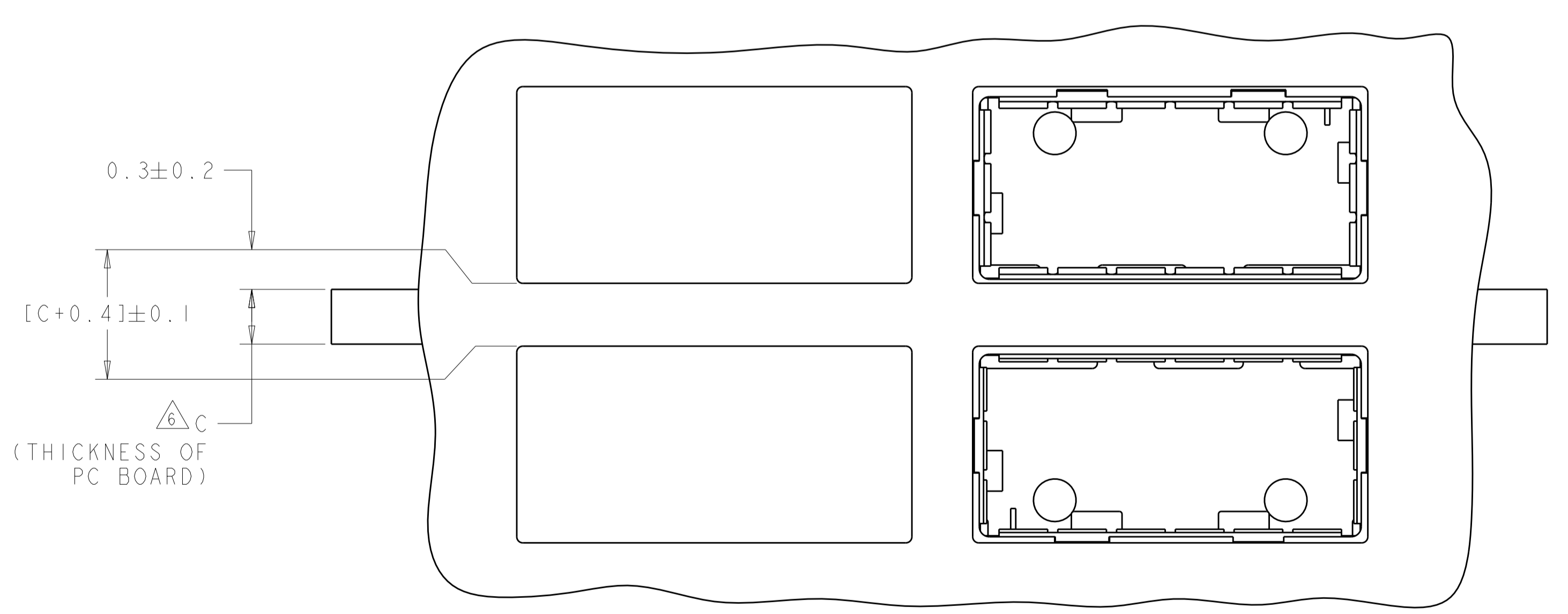
1888781-1  
PART NUMBER

THIS DRAWING IS A CONTROLLED DOCUMENT.		OWN C. VALENTINE CHK E. BRIGHT APVD E. BRIGHT	06FEB2007 06FEB2007 06FEB2007		NAME CAGE ASSEMBLY, BEHIND BEZEL, QSFP
DIMENSIONS:	TOLERANCES UNLESS OTHERWISE SPECIFIED:	PRODUCT SPEC			SIZE 108-2286
mm	0 PLC ±0.5 2 PLC ±0.13 3 PLC ±0.013 4 PLC ±0.0001	APPLICATION SPEC		RESTRICTED TO	
MATERIAL		WEIGHT		SCALE 5:1	
FINISH		Customer Drawing		SHEET 1 OF 4	
DIMENSIONS: 0 PLC ±0.5 2 PLC ±0.13 3 PLC ±0.013 4 PLC ±0.0001 ANGLES ±0.0001		PRODUCT SPEC 108-2286 APPLICATION SPEC 114-13218 WEIGHT FINISH		A100779C=1888781 REV D1	

REVISIONS				
P.	LTN.	DESCRIPTION	DATE	APVD.
-	-	SEE SHEET 1	-	-



ONE SIDED CONFIGURATION

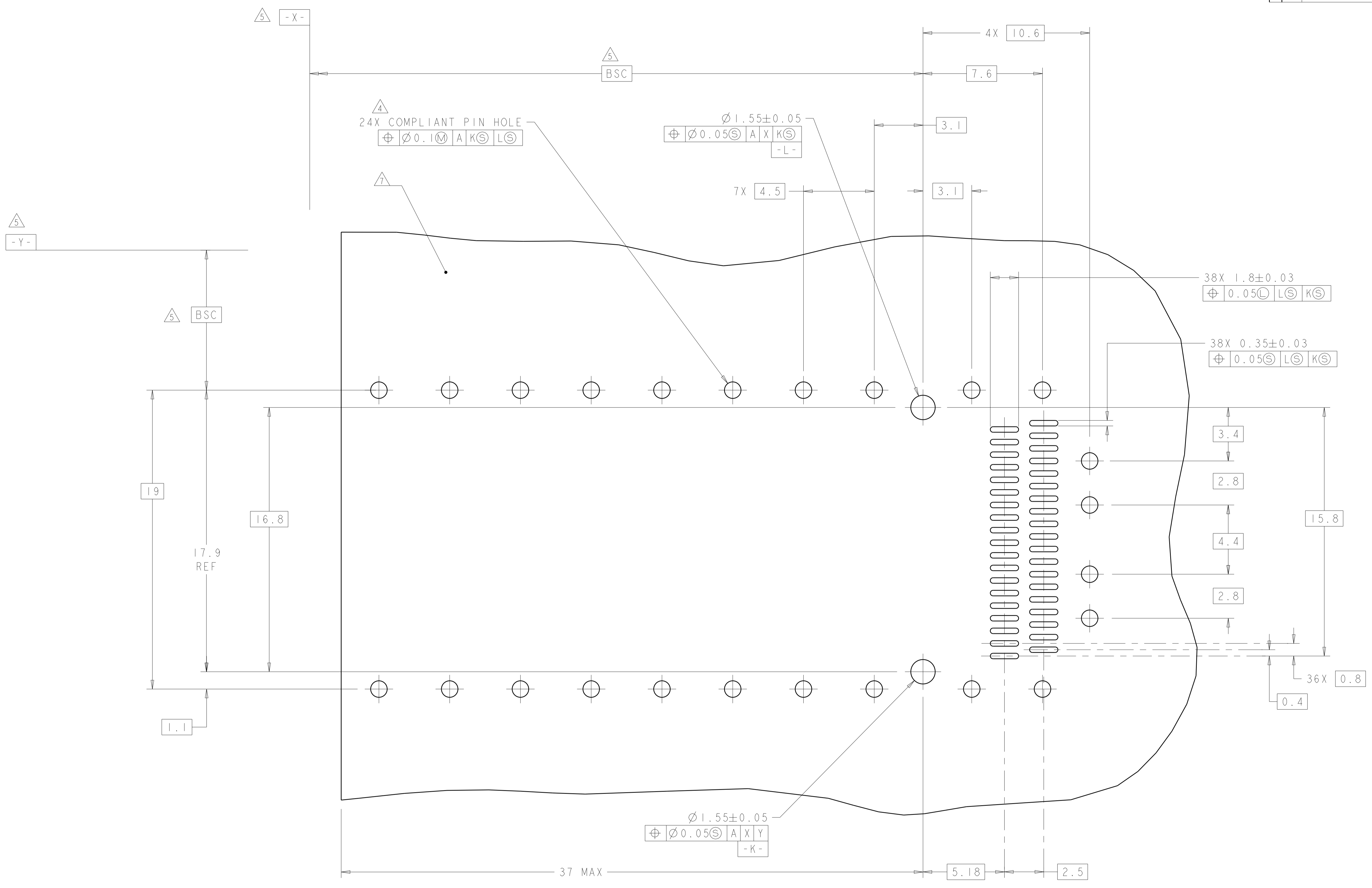


BELLY TO BELLY CONFIGURATION  
 SIMILAR TO ONE SIDED EXCEPT  
 WHERE NOTED

THIS DRAWING IS A CONTROLLED DOCUMENT.		OWN: C. VALENTINE 06FEB2007	TE Connectivity
DIMENSIONS: mm		CHK: E. BRIGHT 06FEB2007	
TOLERANCES UNLESS OTHERWISE SPECIFIED:		APVD: E. BRIGHT 06FEB2007	
0 PLC ± 1 PLC ±0.5 2 PLC ±0.13 3 PLC ±0.013 4 PLC ±0.001 ANGLES ±		NAME: CAGE ASSEMBLY, BEHIND BEZEL, QSFP	
MATERIAL: -	FINISH: -	PRODUCT SPEC: 108-2286	RESTRICTED TO: -
Customer Drawing		APPLICATION SPEC: 114-13218	SIZE: A1
		WEIGHT: -	CAGE CODE: 100779
		SCALE: 5:1	DRAWING NO: C=1888781
		SHEET: 2 OF 4	REV: D1



REVISIONS				
P.	LTN.	DESCRIPTION	DATE	APPD.
-	-	SEE SHEET 1	-	-



RECOMMENDED PCB LAYOUT  
 BELLY TO BELLY CONFIGURATION  
 SEE SHEET 3 FOR KEEP OUT AREAS  
 SCALE 8:1

THIS DRAWING IS A CONTROLLED DOCUMENT.		DWN: C. VALENTINE 06FEB2007 CHK: E. BRIGHT 06FEB2007 APPD: E. BRIGHT 06FEB2007	TE Connectivity
DIMENSIONS: mm 	TOLERANCES UNLESS OTHERWISE SPECIFIED: 0 PLC ±0.5 2 PLC ±0.13 3 PLC ±0.013 4 PLC ±0.001 ANGLES ±0.0001	NAME: CAGE ASSEMBLY, BEHIND BEZEL, QSFP PRODUCT SPEC: 108-2286 APPLICATION SPEC: 114-13218 WEIGHT: - Customer Drawing	