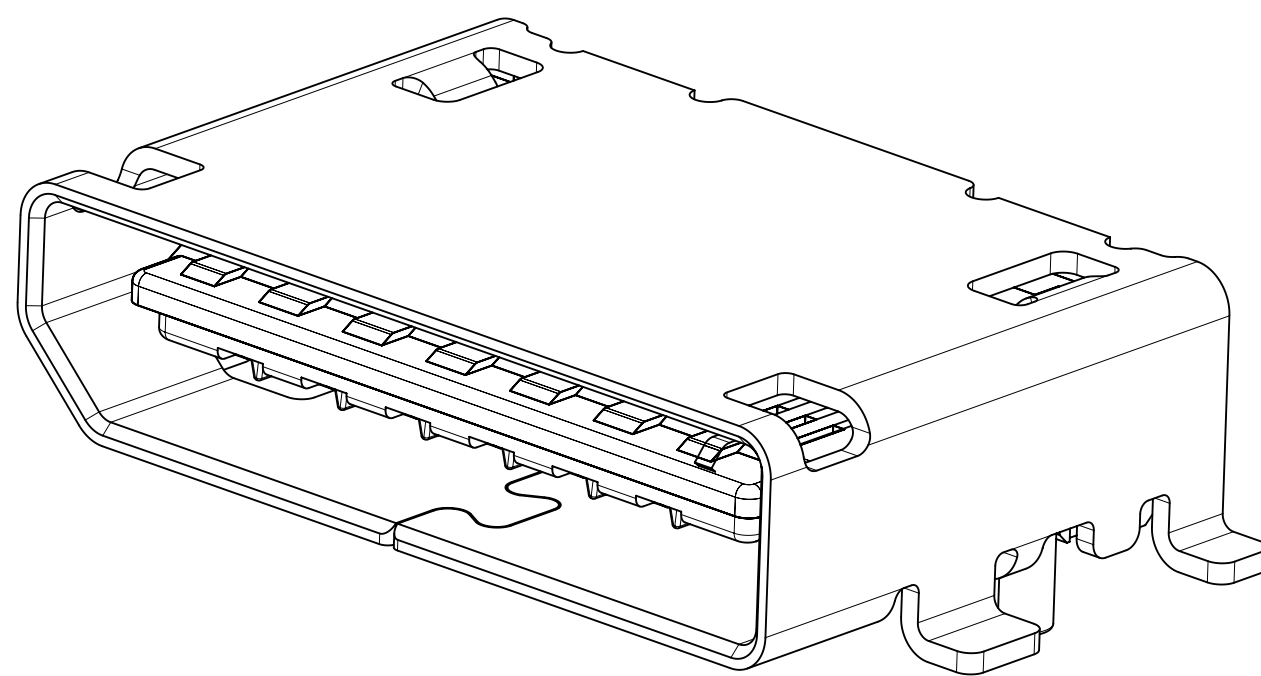
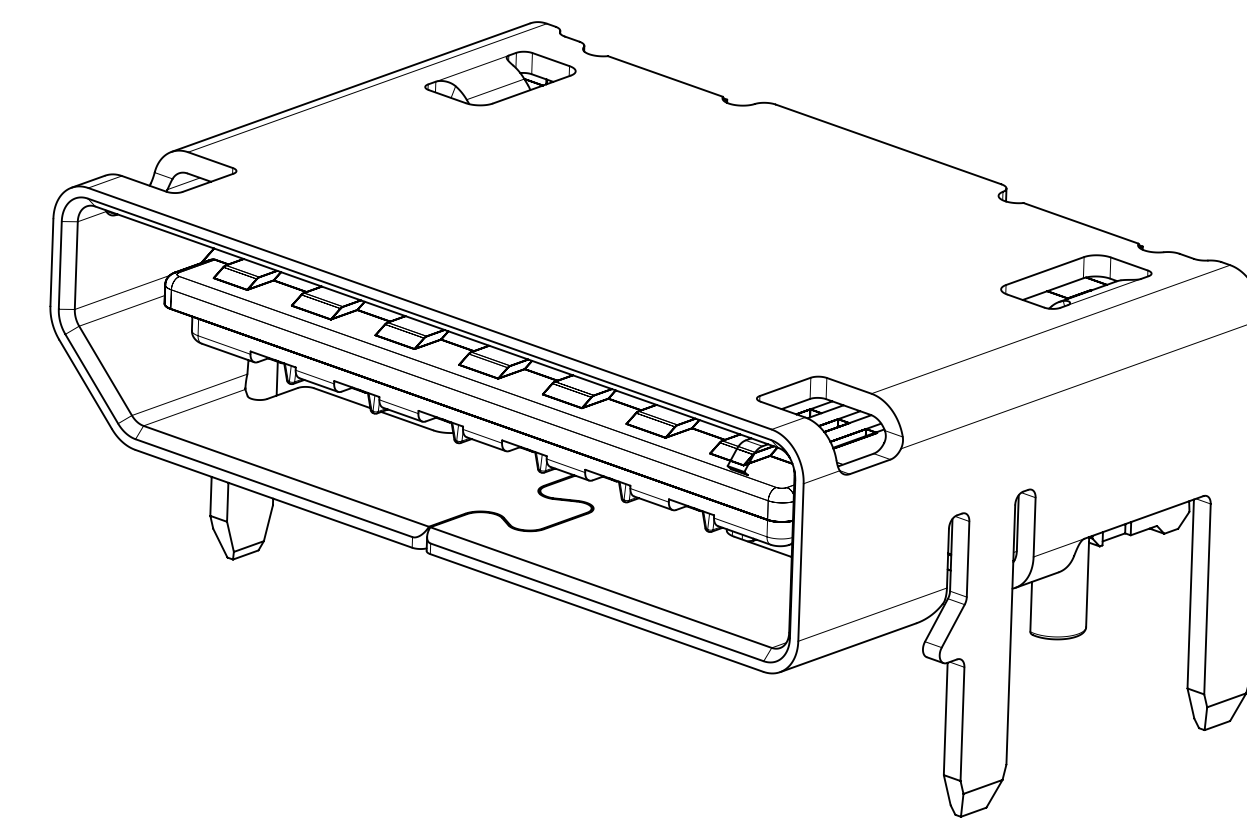


STATUS	MATERIAL NUMBER	SHELL ATTACH OPTION	DIM 'T'
TOOLED	171982-0142	SMT	-
TOOLED	171982-1142	TH	3
TOOLED	171982-2142	TH	2.36
TOOLED	171982-3142	TH	1.57

## 42 CIRCUIT SMT SHELL



## 42 CIRCUIT THRU HOLE SHELL



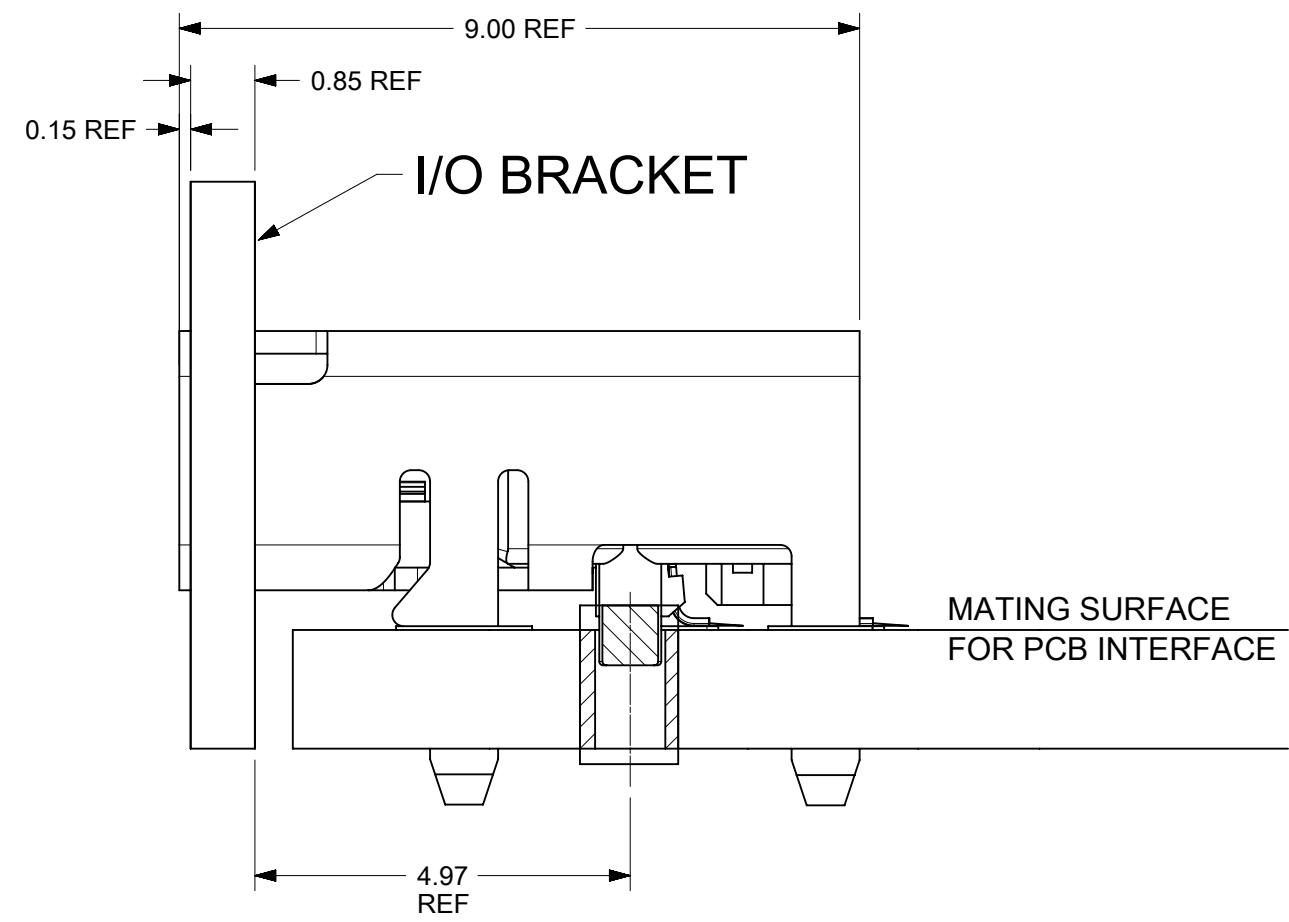
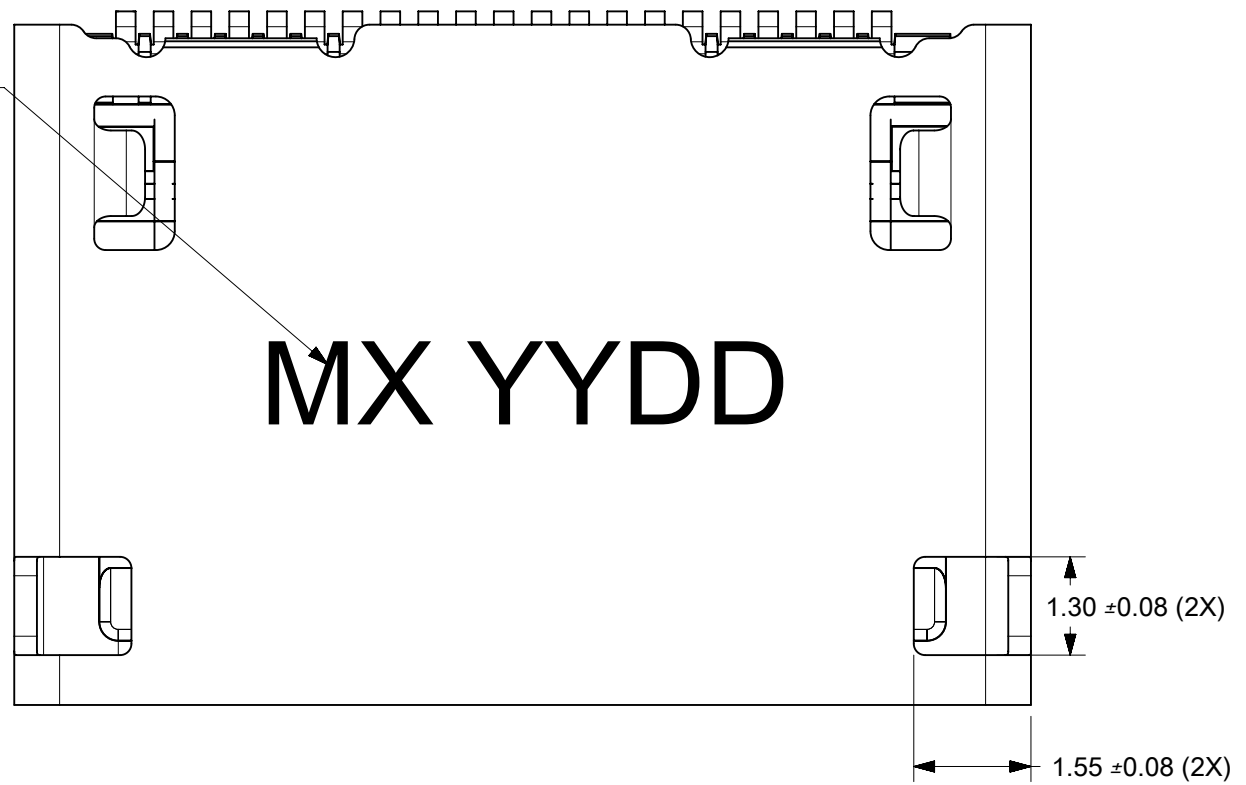
### NOTES:

- MATERIALS:**  
HOUSING - GLASS FILLED THERMOPLASTIC, 94V-0  
CONTACTS - HIGH PERFORMANCE COPPER ALLOY  
SHIELD - STAINLESS STEEL
- FINISH:**  
CONTACTS - 0.76µm MIN. GOLD MATING SIDE  
0.05µm GOLD FLASH ON SOLDER TAILS  
1.27µm MIN. NICKEL UNDERPLATE OVERALL  
  
SHIELD - MATTE TIN OVER 1.27µm MIN. NICKEL
- PRODUCT SPECIFICATION:** PS-171982-0001
- PACKAGING SPECIFICATION:** PK-173307-0001
- MATES WITH:** MOLEX CABLE SERIES 100436  
PER INDUSTRY STANDARD PCIe OCuLink OR SFF-8612
- APPLICATION SPECIFICATION:** AS-173162-0001
- COSMETIC SPECIFICATION:** PS-45499-002 CALASS B

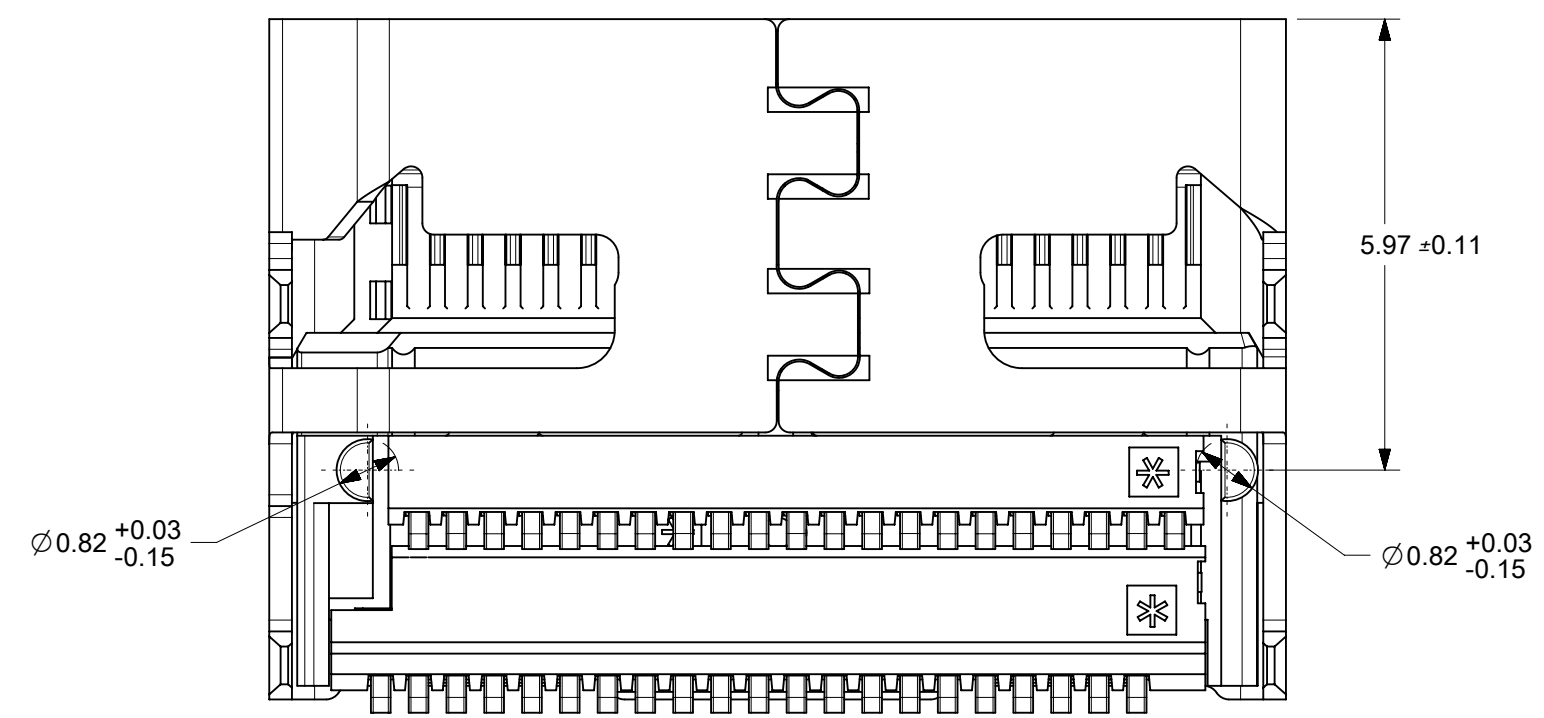
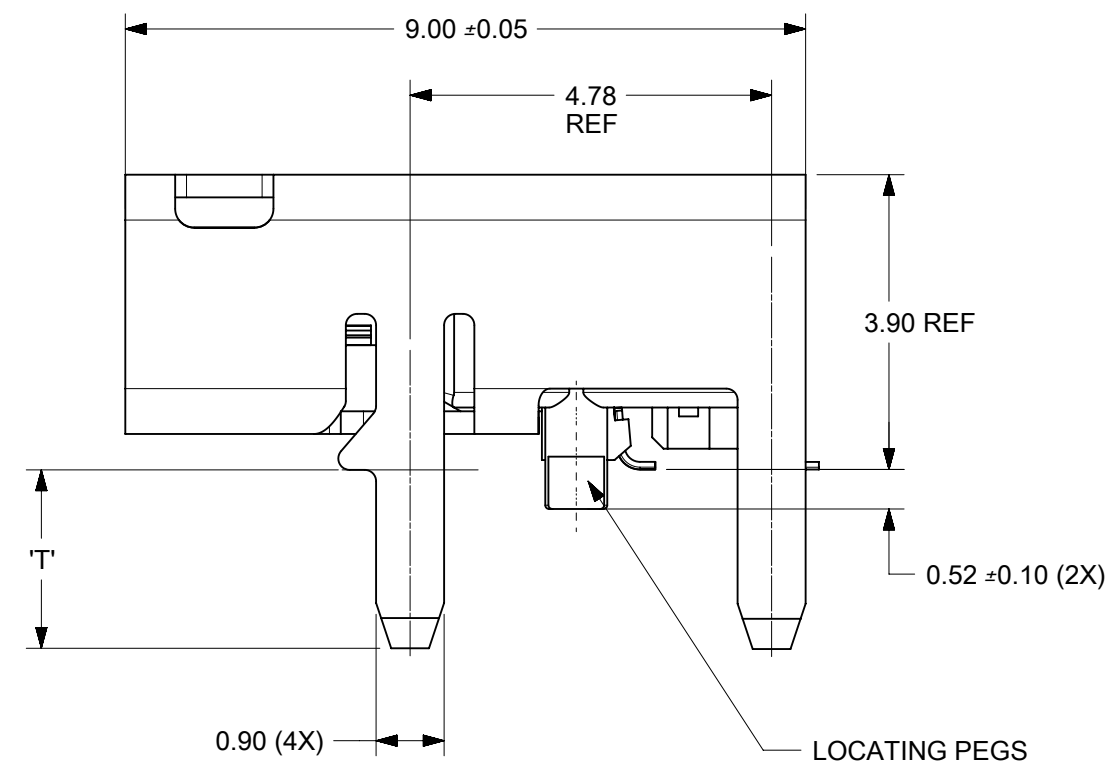
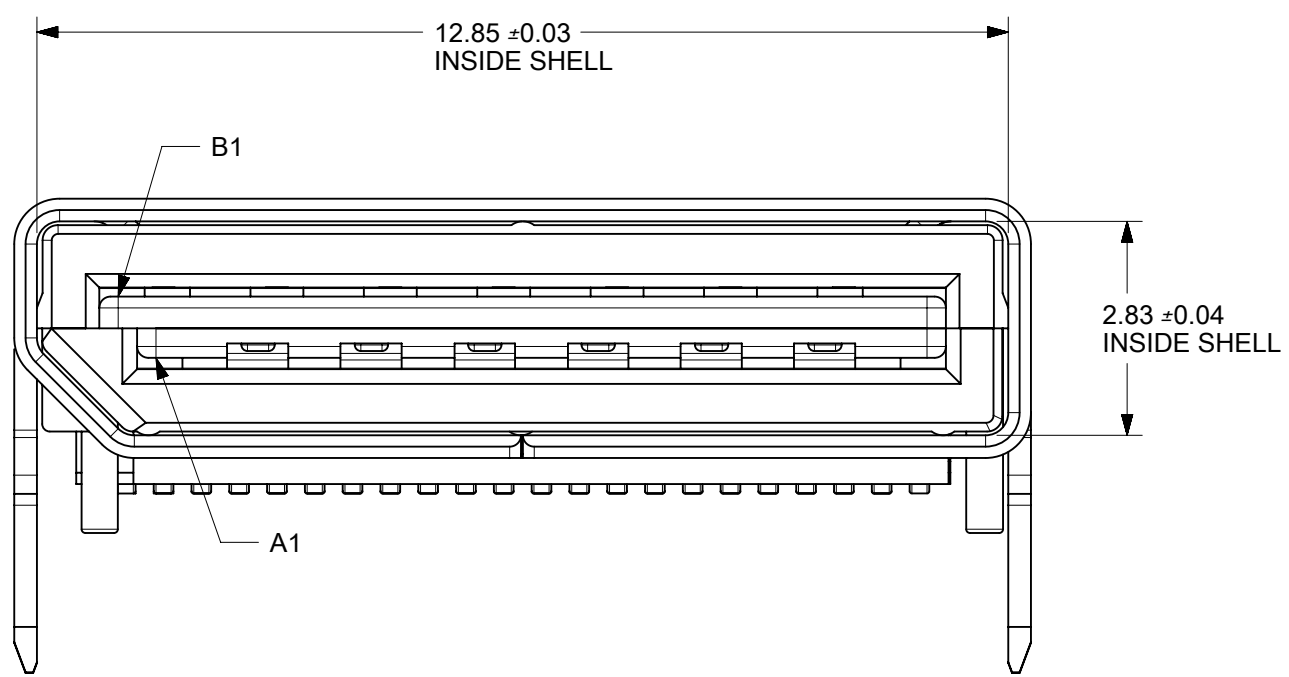
THIS DRAWING CONTAINS INFORMATION THAT IS PROPRIETARY TO MOLEX ELECTRONIC TECHNOLOGIES, LLC AND SHOULD NOT BE USED WITHOUT WRITTEN PERMISSION											
EC NO: 620798 DRWN: CCHEN103 CHKD: JKACHLIC REV APPR: JKACHLIC	2019/07/04	2019/07/19	2019/07/19	GENERAL TOLERANCES (UNLESS SPECIFIED)	DIMENSION UNITS	SCALE					
				mm	10:1						
				ANGULAR TOL ± 0.5 °	DRWN BY	DATE	NANO-PITCH I/O RIGHT ANGLE 4X				
	4 PLACES ±	MJANTELEZIO	2015/10/21								
	3 PLACES ±	CHKD BY	DATE	PRODUCT CUSTOMER DRAWING							
	2 PLACES ± 0.13	JKACHLIC	2017/11/10								
	1 PLACE ± 0.25	APPR BY	DATE	SERIES MATERIAL NUMBER CUSTOMER 171982 SEE CHART GENERAL MARKET							
	0 PLACES ±	MBANAKIS	2015/11/09								
	DRAFT WHERE APPLICABLE MUST REMAIN WITHIN DIMENSIONS	DRAWING SIZE	THIRD ANGLE PROJECTION	DOCUMENT NUMBER DOC TYPE DOC PART SHEET NUMBER SD-171982-1000 PSD 001 1 OF 5							
	J1	D									

# 42 CIRCUIT TH ASSEMBLY

SEE NOTE #1



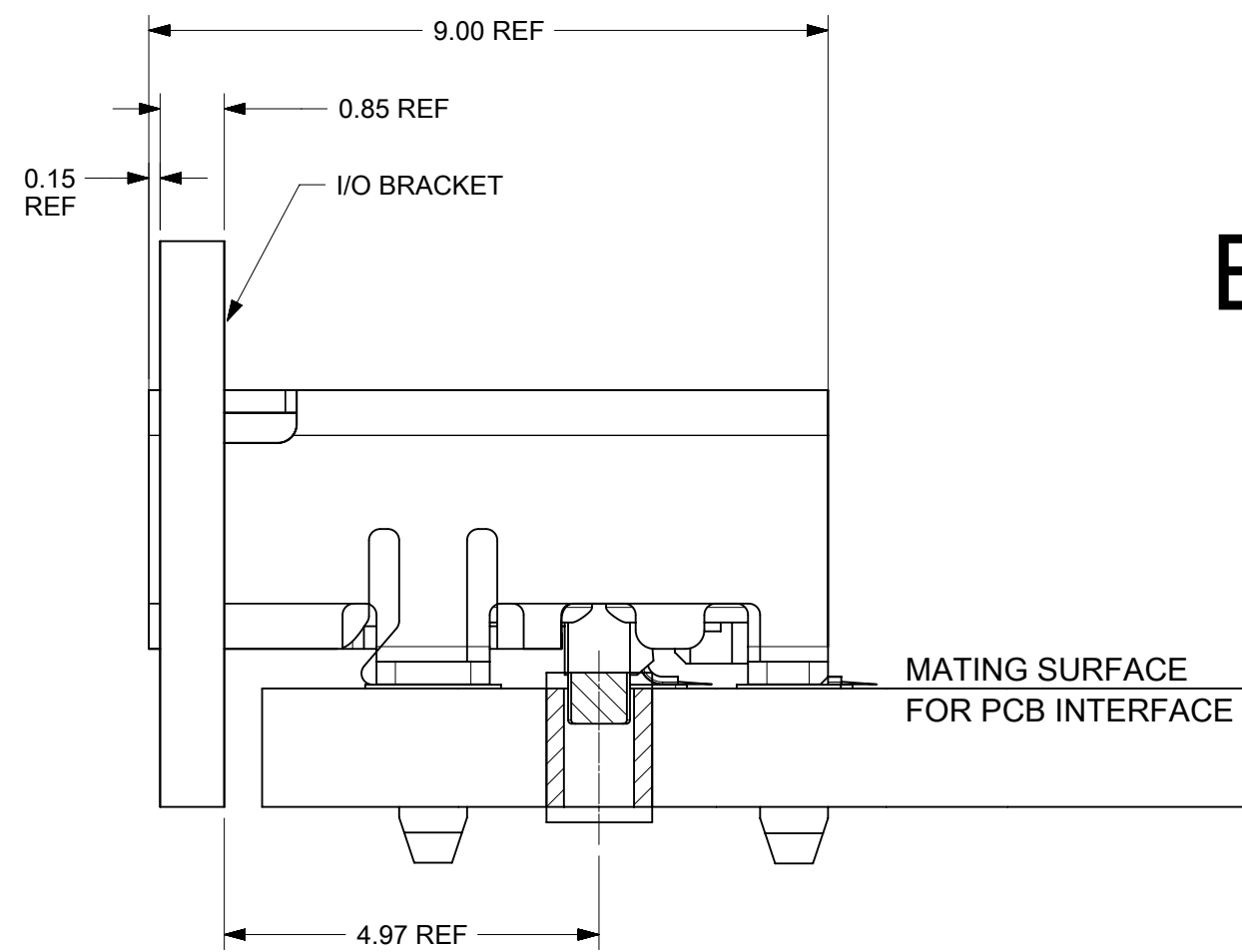
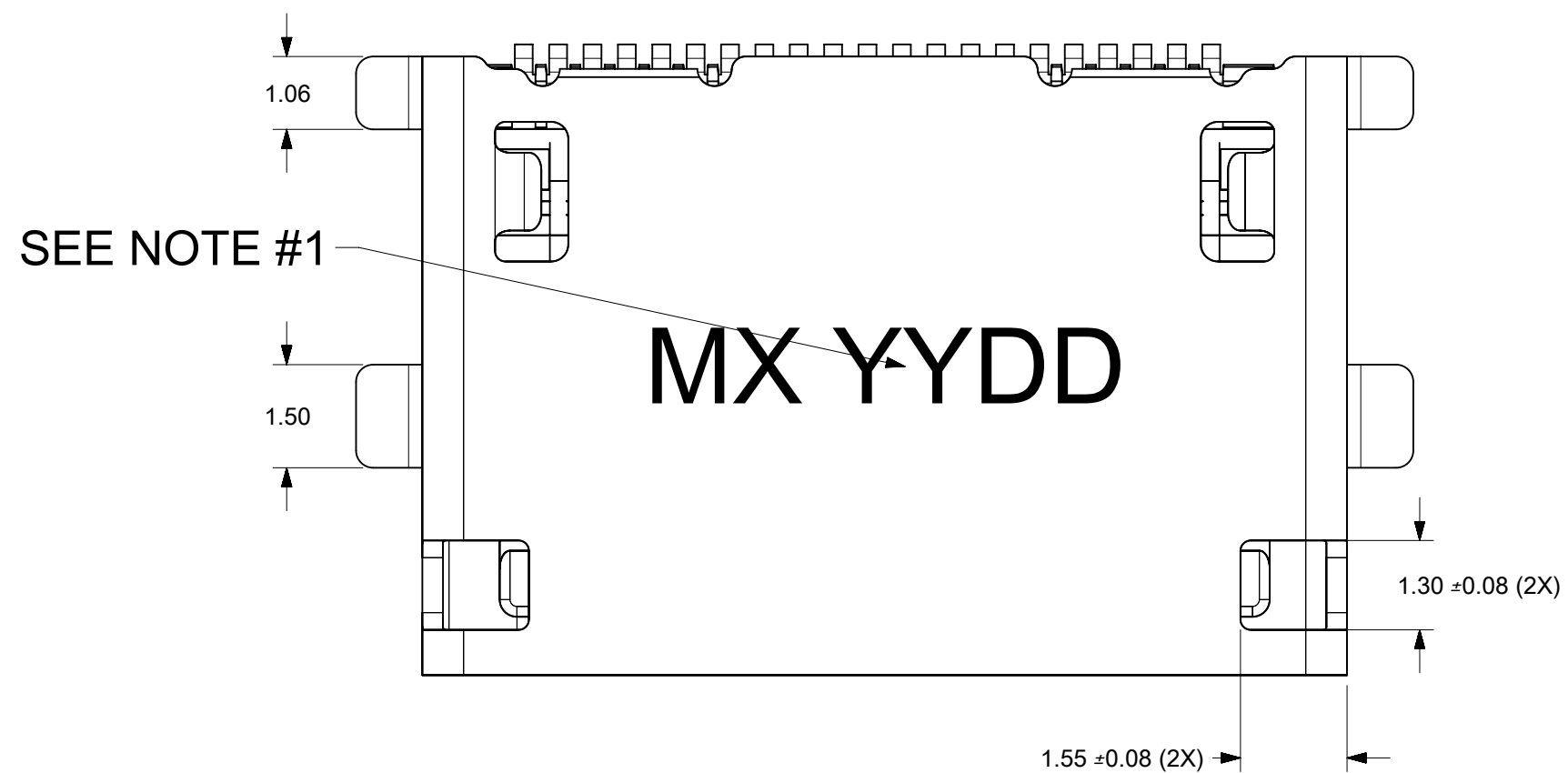
EXTERNAL



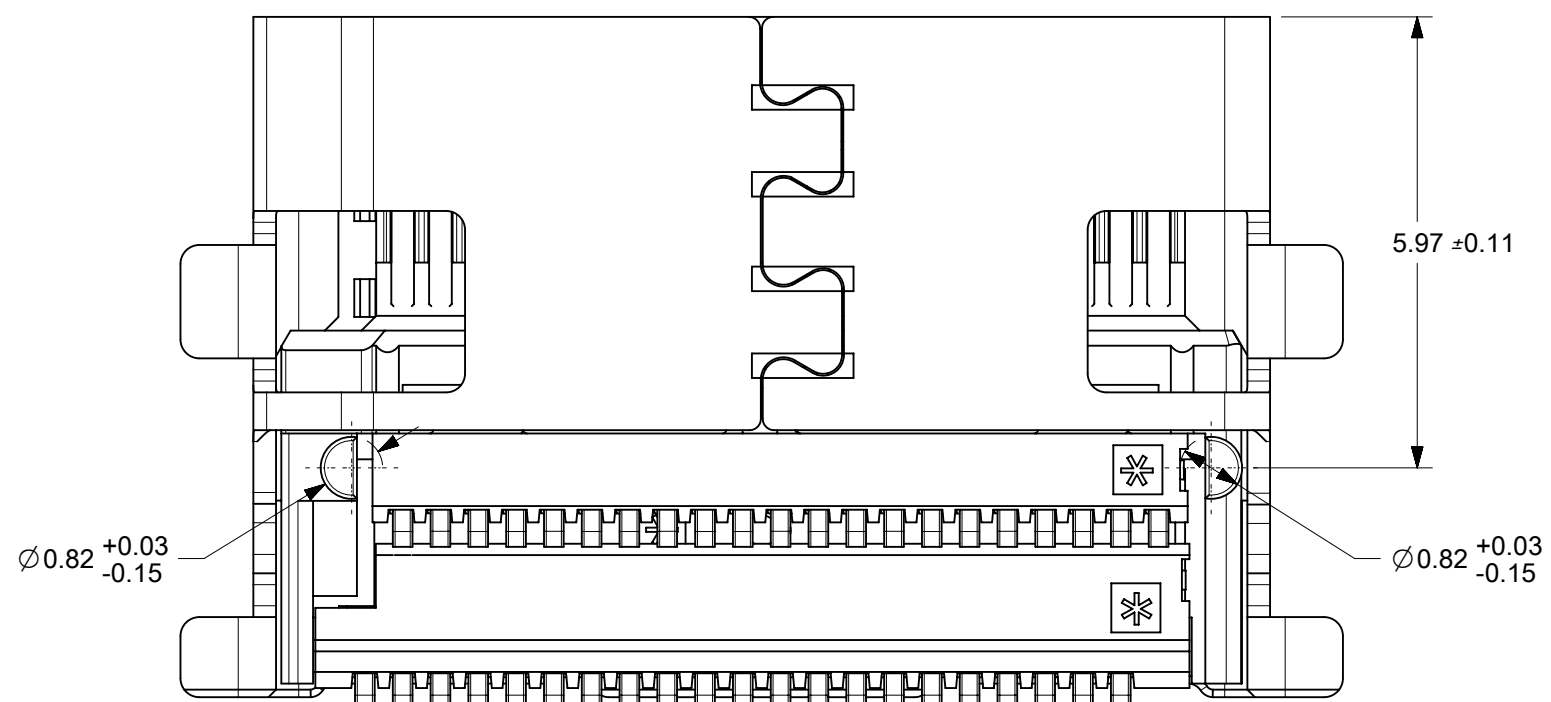
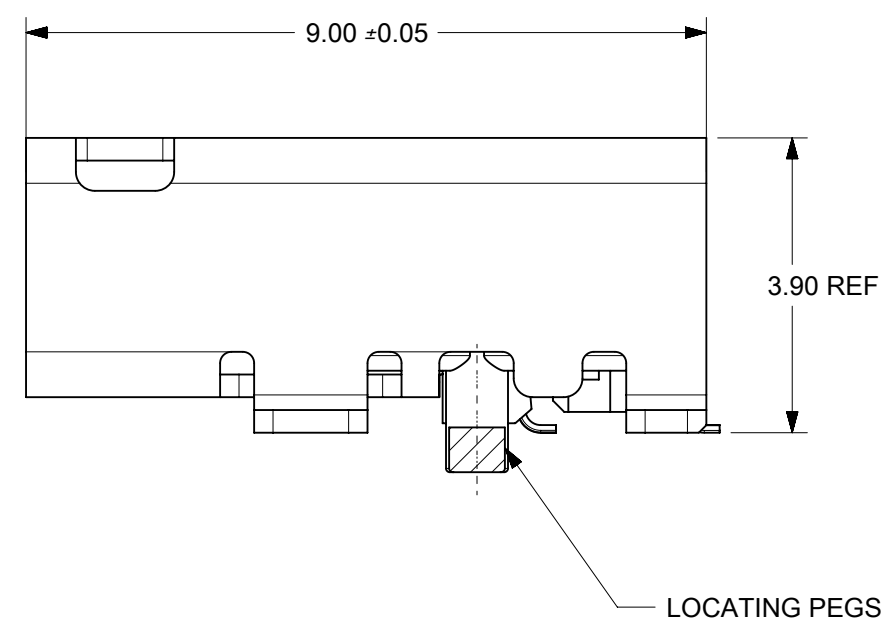
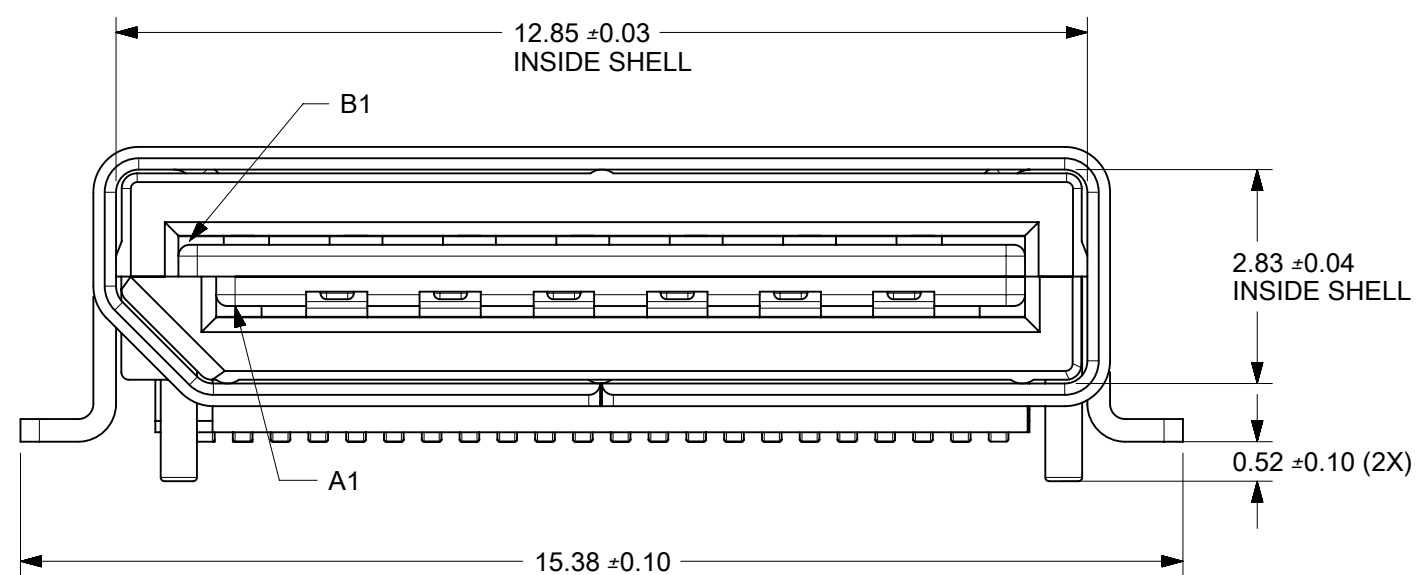
NOTES:  
 1. MANUFACTURED DATE CODE (JULIAN CALENDAR)  
 2. SOLDER TAIL COPLANARITY 0.10 MAX

THIS DRAWING CONTAINS INFORMATION THAT IS PROPRIETARY TO MOLEX ELECTRONIC TECHNOLOGIES, LLC AND SHOULD NOT BE USED WITHOUT WRITTEN PERMISSION												
EC NO: 620798 DRWN: CCHEN103 CHKD: JKACHLIC REV: APPR: JKACHLIC	2019/07/04		2019/07/19		2019/07/19		GENERAL TOLERANCES (UNLESS SPECIFIED)		DIMENSION UNITS		SCALE	
	4 PLACES		±		3 PLACES		±		mm		10:1	
	3 PLACES		±		2 PLACES		± 0.13		DRWN BY		DATE	
	2 PLACES		± 0.25		1 PLACE		±		MJANTELEZIO		2015/10/21	
	1 PLACE		±		0 PLACES		±		CHKD BY		DATE	
	0 PLACES		±		DRAFT WHERE APPLICABLE MUST REMAIN WITHIN DIMENSIONS		C		JKACHLIC		2017/11/10	
DRWN BY		DATE		APPR BY		DATE		DRAWING SIZE		THIRD ANGLE PROJECTION		
MBANAKIS		2015/11/09		C		THIRD ANGLE PROJECTION		SERIES		MATERIAL NUMBER		
171982		SEE CHART		CUSTOMER		GENERAL MARKET		DOCUMENT NUMBER		DOC TYPE		
SD-171982-1000		PSD		DOC PART		SHEET NUMBER		2 OF 5		1		

# 42 CIRCUIT SMT ASSEMBLY



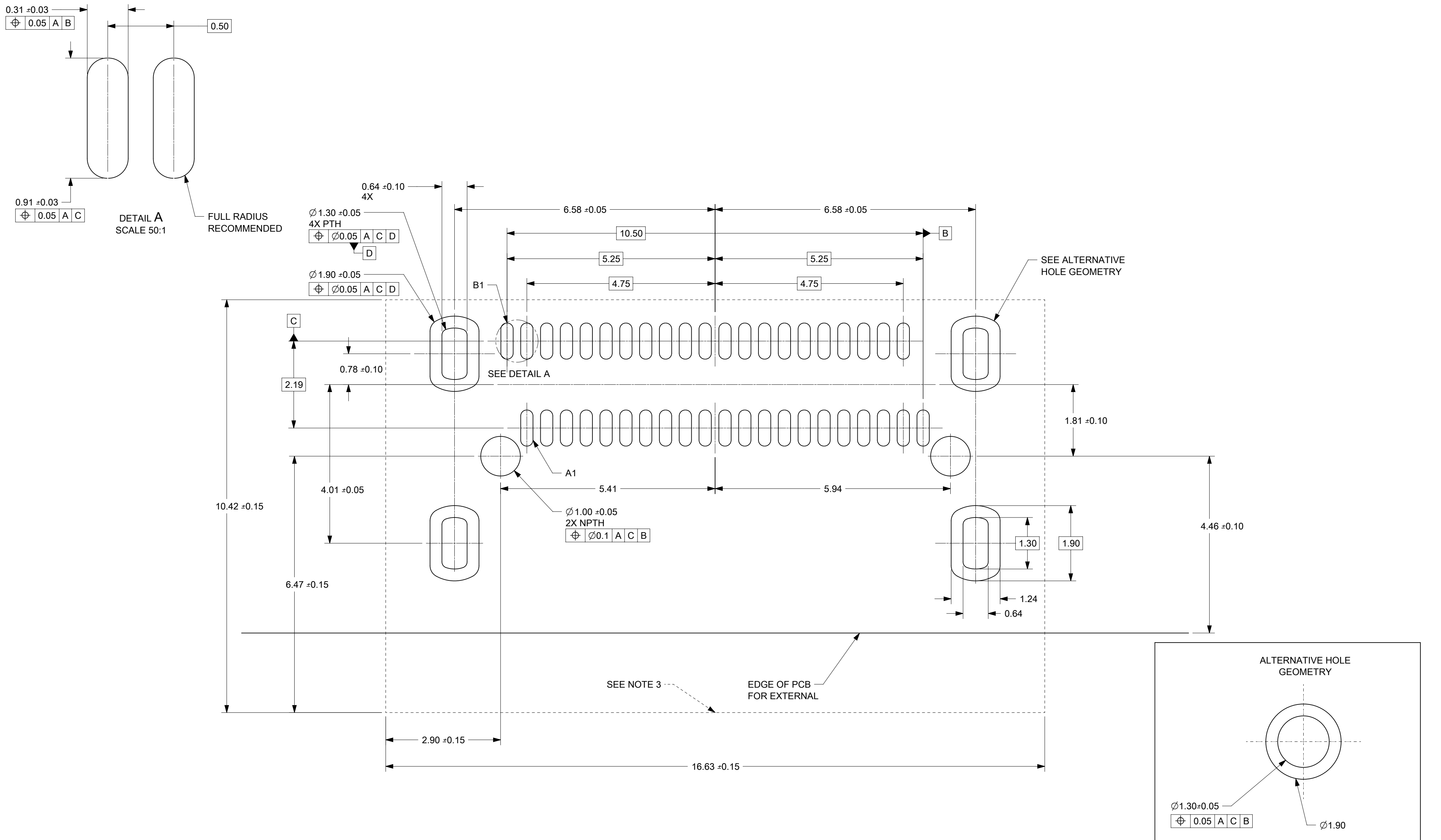
**EXTERNAL**



- NOTES:**
1. MANUFACTURED DATE CODE (JULIAN CALENDAR)
  2. SOLDER TAIL COPLANARITY 0.10 MAX

THIS DRAWING CONTAINS INFORMATION THAT IS PROPRIETARY TO MOLEX ELECTRONIC TECHNOLOGIES, LLC AND SHOULD NOT BE USED WITHOUT WRITTEN PERMISSION												
EC NO: 620798 DRWN: CCHEN103 CHKD: JKACHLIC REV / APPR: JKACHLIC	GENERAL TOLERANCES (UNLESS SPECIFIED)						DIMENSION UNITS	SCALE				
	ANGULAR TOL ± 0.5 °						mm	10:1				
	4 PLACES ±		3 PLACES ±		2 PLACES ± 0.13		DRWN BY	DATE	NANO-PITCH I/O RIGHT ANGLE 4X			
	1 PLACE ± 0.25		0 PLACES ±		DRAFT WHERE APPLICABLE MUST REMAIN WITHIN DIMENSIONS		MJANTELEZIO	2015/10/21	PRODUCT CUSTOMER DRAWING			
J1		C		THIRD ANGLE PROJECTION		CHKD BY	DATE	SERIES		CUSTOMER		
J1		C		THIRD ANGLE PROJECTION		JKACHLIC	2017/11/10	171982		GENERAL MARKET		
J1		C		THIRD ANGLE PROJECTION		MBANAKIS	2015/11/09	SEE CHART		GENERAL MARKET		
J1		C		THIRD ANGLE PROJECTION		DRAWING SIZE		DOCUMENT NUMBER		SHEET NUMBER		
J1		C		THIRD ANGLE PROJECTION		C		SD-171982-1000		3 OF 5		

# 42 CIRCUIT TAIL RECOMMENDED FOOTPRINT

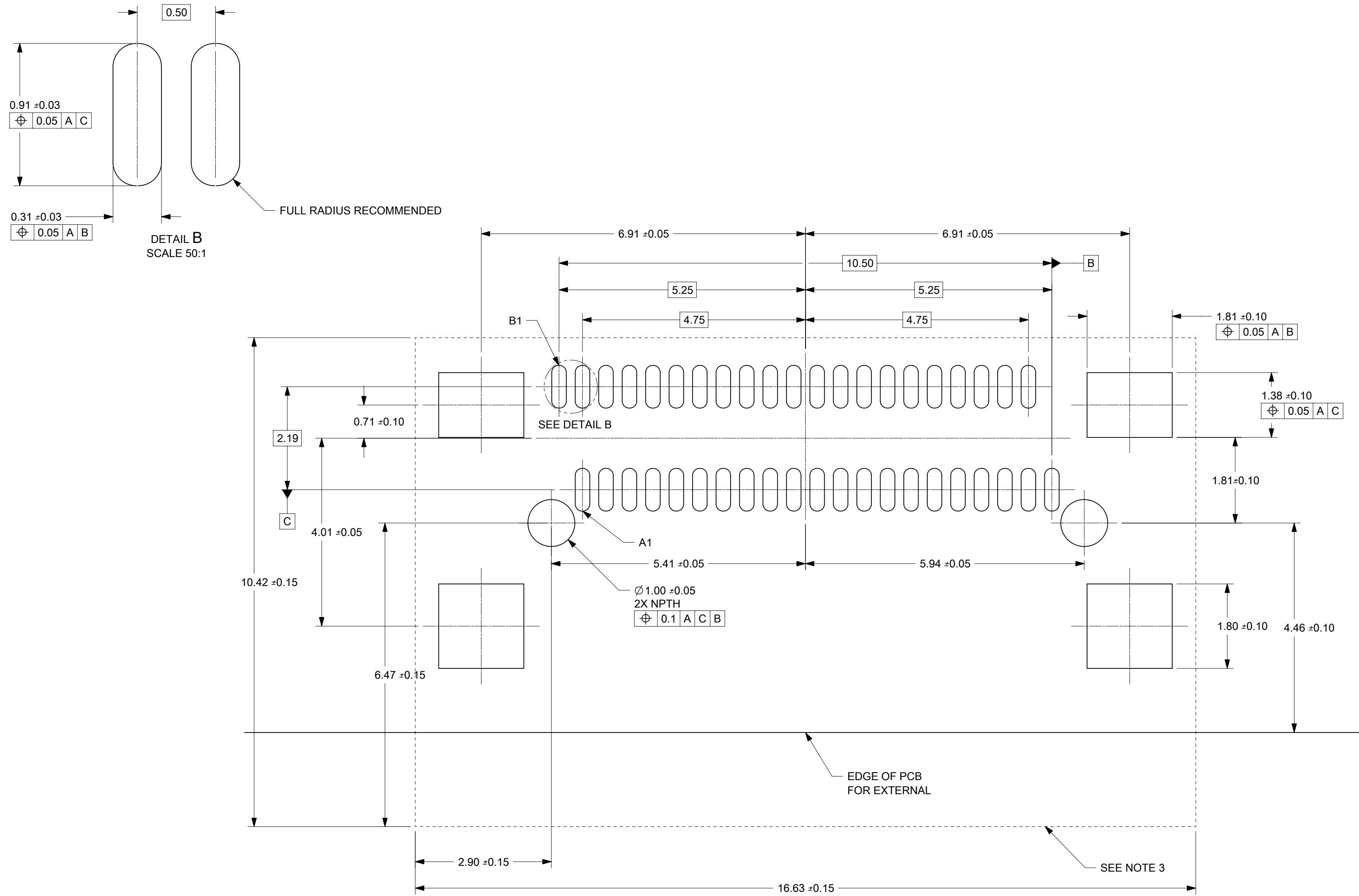


## NOTES:

1. MINIMUM RECOMMENDED SPACING BETWEEN ADJACENT CONNECTOR IS 19.05mm
2. MINIMUM RECOMMENDED PCB THICKNESS: 1.57mm
3. CONNECTOR KEEP OUT AREA
4. DATUM -A- ESTABLISHED FROM TOP SURFACE OF PCB

THIS DRAWING CONTAINS INFORMATION THAT IS PROPRIETARY TO MOLEX ELECTRONIC TECHNOLOGIES, LLC AND SHOULD NOT BE USED WITHOUT WRITTEN PERMISSION															
EC NO: 620798 DRWN: CCHEN103 CHKD: JKACHLIC REV: APPR: JKACHLIC	2019/07/04 2019/07/19 2019/07/19		GENERAL TOLERANCES (UNLESS SPECIFIED)			DIMENSION UNITS	SCALE								
			ANGULAR TOL ± 0.5 °			mm	15:1								
	4 PLACES ±		MJBANTELEZIO			DATE	2015/10/21		NANO-PITCH I/O RIGHT ANGLE 4X						
	3 PLACES ±		JKACHLIC			DATE	2017/11/10								
2 PLACES ± 0.13		MBANAKIS			DATE	2015/11/09		PRODUCT CUSTOMER DRAWING							
1 PLACE ± 0.25		SERIES			MATERIAL NUMBER	CUSTOMER	GENERAL MARKET								
0 PLACES ±		DRAWING SIZE			THIRD ANGLE PROJECTION	171982		SEE CHART							
DRAFT WHERE APPLICABLE MUST REMAIN WITHIN DIMENSIONS		C				DOCUMENT NUMBER		SD-171982-1000		DOC TYPE	PSD	DOC PART	001	SHEET NUMBER	4 OF 5

# 42 CIRCUIT SMT RECOMMENDED FOOTPRINT



## NOTES:

1. MINIMUM RECOMMENDED SPACING BETWEEN ADJACENT CONNECTOR IS 19.05mm
2. MINIMUM RECOMMENDED PCB THICKNESS: 1.57mm
3. CONNECTOR KEEP OUT AREA
4. DATUM -A- ESTABLISHED FROM TOP SURFACE OF PCB

THIS DRAWING CONTAINS INFORMATION THAT IS PROPRIETARY TO MOLEX ELECTRONIC TECHNOLOGIES, LLC AND SHOULD NOT BE USED WITHOUT WRITTEN PERMISSION											
EC NO: 620798 DRWN: CCHEN103 CHKD: JKACHLIC REV: APPR: JKACHLIC	2019/07/04 2019/07/19 2019/07/19	GENERAL TOLERANCES (UNLESS SPECIFIED)		DIMENSION UNITS	SCALE						
		ANGULAR TOL ± 0.5 °		mm	15:1						
4 PLACES ±		DRWN BY		DATE		NANO-PITCH I/O RIGHT ANGLE 4X					
3 PLACES ±		MJANTELEZIO		2015/10/21							
2 PLACES ± 0.13		CHKD BY		DATE		PRODUCT CUSTOMER DRAWING					
1 PLACE ± 0.25		JKACHLIC		2017/11/10							
0 PLACES ±		APPR BY		DATE		SERIES	MATERIAL NUMBER	CUSTOMER			
DRAFT WHERE APPLICABLE MUST REMAIN WITHIN DIMENSIONS		MBANAKIS		2015/11/09		171982	SEE CHART	GENERAL MARKET			
DRAWING SIZE		THIRD ANGLE PROJECTION		C		DOCUMENT NUMBER		DOCS	DOC PART	SHEET NUMBER	
J1		C		C		SD-171982-1000		PSD	001	5 OF 5	