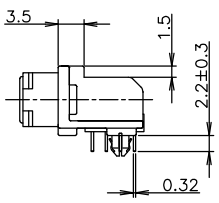
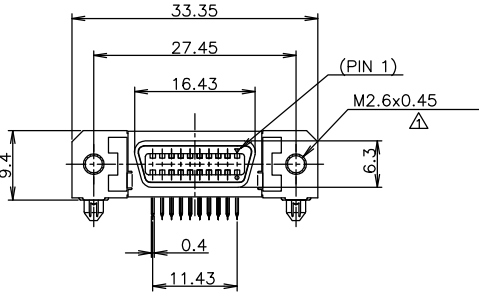
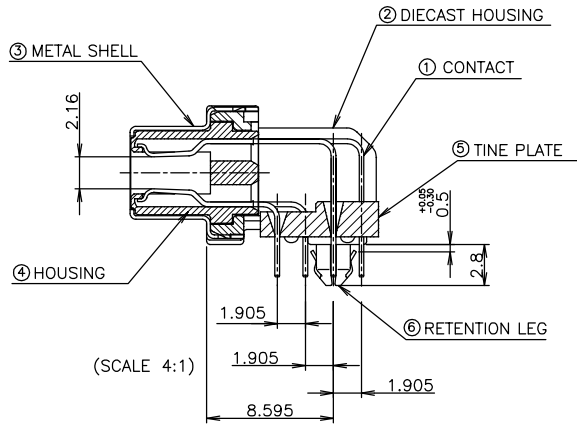
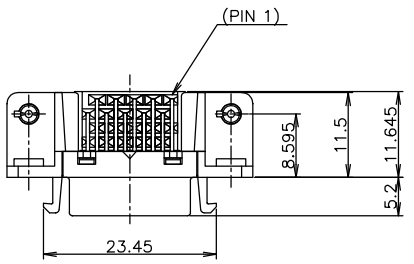


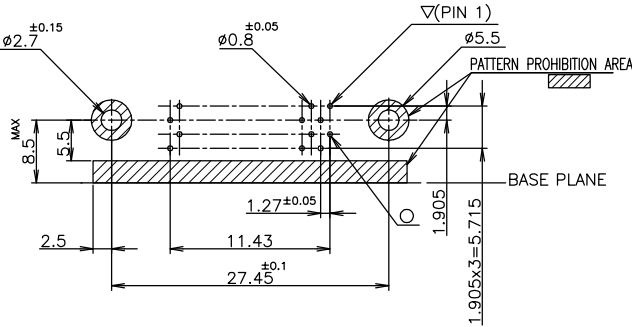
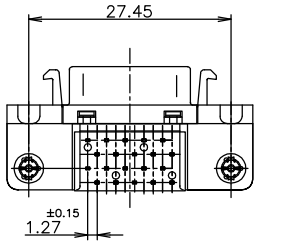
THIS DRAWING IS UNPUBLISHED. RELEASED FOR PUBLICATION AUG, 2004.
 (C) COPYRIGHT 2004 BY TYCO ELECTRONICS CORPORATION. ALL RIGHTS RESERVED.

| LOC | | DIST | | REVISIONS | | | |
|-----|-----|-------------|---------------|-----------|------|-----|--|
| P | LTR | DESCRIPTION | DATE | DRN | APVD | | |
| J | A | REVISED | ECR-05-007904 | 29JUL05 | C.Z | S.Y | |

| ITEM | MATERIAL | FINISH |
|------|----------------|--|
| ① | COPPER ALLOY | NICKEL UNDER PLATE ALL OVER CONTACT AREA ; Au(0.0003) SOLDER TINE AREA ; TIN PLATE |
| ② | ZINC | NICKEL PLATING |
| ③ | STEEL t0.25 | NICKEL PLATE OVER COPPER UNDERPLATE |
| ④ | THERMO-PLASTIC | COLOR; BLACK |
| ⑤ | | |
| ⑥ | COPPER ALLOY | TIN PLATE OVER NICKEL UNDERPLATE |

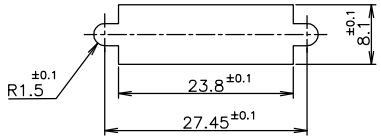


- △ RECOMMENDED SCREW SIZE ; M2.6 PANHEAD SCREW(L=5)
- 2 RECOMMENDED P.C BOARD THICKNESS ; 0.6~1.0 (REF)
- 3 INSERTION FORCE OF RETENTION LEG TO P.C.B; 21.56N(2.2kgf) MAX/CONNECTOR.
- 4 RETENTIVITY OF RETENTION LEG TO P.C.B; 4.9N(0.5kgf) MIN/CONNECTOR.



LEAD FREE

RECOMMENDED PC BOARD MOUNTING DIMMENSION COMPONENT SIDE



RECOMENDED PANEL CUTOUT THK, 2mm MAX

| | | |
|----------|------|-----------|
| 0.0003 | 20 | 5178240-2 |
| Au P.LT. | POS. | PART NO. |

| | | | | |
|--|------------------|-------------------------|---|--------------------|
| THIS DRAWING IS A CONTROLLED DOCUMENT. | | DRN COREL WANG 31AUG04 | Tyco Electronics AMP K.K. | |
| | | CHK STEVEN YAO 31AUG04 | Kawasaki, Japan | |
| | | APVD JENOMOTO 31AUG04 | NAME | |
| DIMENSIONS: mm | | PRODUCT SPEC: 108-60043 | RECEPTACLE HDR ASSY (2.2mm) RETENTION LEG TYPE STANDARD CHAMP.050 SERIES (II) | |
| TOLERANCES UNLESS OTHERWISE SPECIFIED: | | APPLICATION SPEC | SIZE A2 | CAGE CODE 00779 |
| 0 PLC ± 0.2 | | WEIGHT | DRAWING NO C-5178240 | RESTRICTED TO |
| 1 PLC ± 0.2 | | | | |
| 2 PLC ± 0.2 | | | | |
| 3 PLC ± 0.2 | | | | |
| 4 PLC ± 0.2 | | | | |
| ANGLES ± 3° | | | | |
| MATERIAL SEE TABLE | FINISH SEE TABLE | CUSTOMER DRAWING | SCALE 2:1 | SHEET 1 OF 1 REV A |