

April 29th, 2019

Product Change Notification

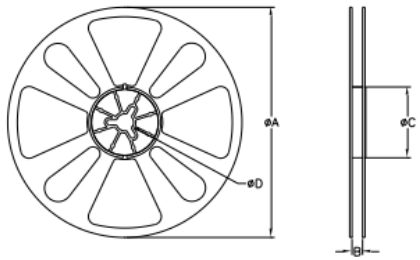
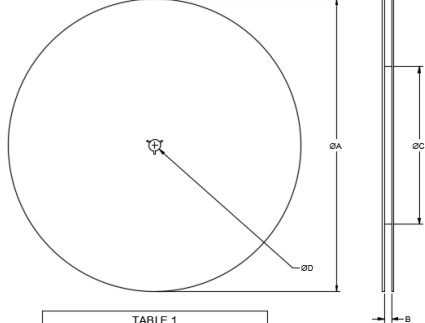
TTM P/N: See below
Customer: All
PCN #

Qty Affected: All
Customer PO: All

Description of Change:

TTM would like to inform our customers of a change in the reel packaging for the Xingers listed below. We are increasing the reel MOQ to address high demand for the following part numbers, and as a result the reel and bag size will change.

Part Numbers
C2327J5003AHF
C3337J5003AHF
BD0826J50200AHF

	Was	Now																								
MOQ	4,000	10,000																								
Reel Size	177.8mm diameter with 50.8 hub	330mm diameter with 177.8mm hub																								
Diagram	 <table border="1"> <caption>TABLE 1</caption> <thead> <tr> <th>QUANTITY/REEL</th> <th colspan="2">REEL DIMENSIONS mm</th> </tr> </thead> <tbody> <tr> <td rowspan="4">4000</td> <td>øA</td> <td>177.80</td> </tr> <tr> <td>B</td> <td>8.00</td> </tr> <tr> <td>øC</td> <td>50.80</td> </tr> <tr> <td>øD</td> <td>13.00</td> </tr> </tbody> </table>	QUANTITY/REEL	REEL DIMENSIONS mm		4000	øA	177.80	B	8.00	øC	50.80	øD	13.00	 <table border="1"> <caption>TABLE 1</caption> <thead> <tr> <th>QUANTITY/REEL</th> <th colspan="2">REEL DIMENSIONS (inches [mm])</th> </tr> </thead> <tbody> <tr> <td rowspan="4">10000</td> <td>øA</td> <td>13.0 [330.0]</td> </tr> <tr> <td>B</td> <td>.315 [8.0]</td> </tr> <tr> <td>øC</td> <td>7.0 [177.8]</td> </tr> <tr> <td>øD</td> <td>.512 [13.0]</td> </tr> </tbody> </table>	QUANTITY/REEL	REEL DIMENSIONS (inches [mm])		10000	øA	13.0 [330.0]	B	.315 [8.0]	øC	7.0 [177.8]	øD	.512 [13.0]
QUANTITY/REEL	REEL DIMENSIONS mm																									
4000	øA	177.80																								
	B	8.00																								
	øC	50.80																								
	øD	13.00																								
QUANTITY/REEL	REEL DIMENSIONS (inches [mm])																									
10000	øA	13.0 [330.0]																								
	B	.315 [8.0]																								
	øC	7.0 [177.8]																								
	øD	.512 [13.0]																								

Change Timeline:

Parts with new packaging will begin shipping starting May 2019
Samples are available for review if needed.

If you have any questions or need further information, please call me at 1-315-233-5510 or send e-mail to casey.hennigan@ttm.com.

Sincerely,

Casey Hennigan
Project Engineer, Wireless Business Unit
TTM Technologies, Inc.