

Keywords: buck-boost, step up/down, low quiescent, step up step down converter, buck boost

#### APPLICATION NOTE 2047

# Step-Up/Step-Down Converter Features Ultra-Low Quiescent Current

Sep 18, 2003

*Abstract: This design is intended to be used in portable applications where the input power source is provided by three NiCd or NiMH cells (3.6V without load) and where the output voltage is 3V. When the input battery is fully charged, the input voltage is above 3V and when the power source is half or near fully discharged, the input voltage is below 3V.*

*A 3V, 100mA regulated output is generated with a typical quiescent current below 12 $\mu$ A. Input voltage ranges from 2V to 5V and power conversion efficiency is above 60%. It consists of a step-up converter (U1: MAX1833) followed by a LDO (U2: MAX8880). It offers a POK output signal that can be used as  $\mu$ P reset signal, and integrated reverse input battery protection.*

To reduce power consumption, some applications need to be cycled between active and sleep modes. In sleep mode, the quiescent current of the system is dominated by the power supply. Current must be as low as possible because it is impossible to turn off the power supply, as it must remain active to supply some parts of the system.

This design is intended to be used in portable applications where the input power source is provided by three NiCd or NiMH cells ( $\approx$  3.6V without load) and where the output voltage is 3V. When the input battery is fully charged, the input voltage is above 3V and when the power source is half or near fully discharged, the input voltage is below 3V.

Some solutions already exist:

- Step-up converter in a SEPIC configuration
- Step-up + LDO such as MAX1672
- Charge pump such as MAX1759

All these solutions have quiescent currents in the 100 $\mu$ A range (MAX1672: 125 $\mu$ A; MAX1759: 180 $\mu$ A). In sleep mode, this is too much for some portable applications.

This design generates a 3V, 100 $\mu$ A regulated output voltage power supply with a typical quiescent current below 12 $\mu$ A. Input voltage ranges from 2V to 5V and power conversion efficiency is above 60%. It consists of a step-up converter (U1: MAX1833) followed by a LDO (U2: MAX8880). It offers a POK output signal that can be used as  $\mu$ P reset signal, and integrated reverse input battery protection.

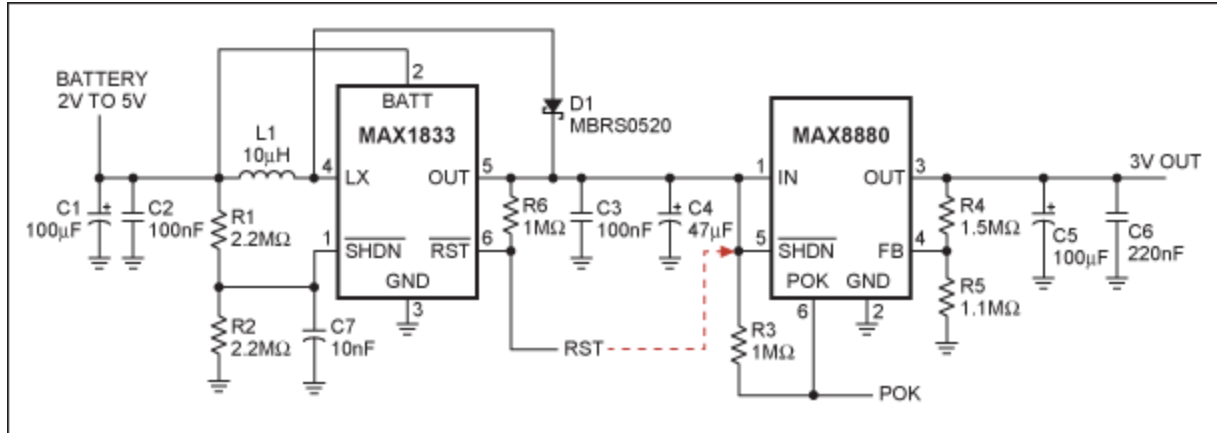


Figure 1.

## Detailed Description

When the voltage at the cathode of D1 is above the limit defined by the desired output voltage (3.3V in this case), the MAX1833 does not switch and quiescent current is typically 5 $\mu$ A. The system behaves as a classic LDO with a typical 5 $\mu$ A quiescent current (including bias current in the feedback divider R4/R5). The overall quiescent current is below 10 $\mu$ A typ. 5 $\mu$ A is drawn by U1 and 5 $\mu$ A is drawn by U2.

When the voltage at the cathode of D1 is under the limit defined by the desired output voltage (3.3V in this case), the step-up powers-up in PFM mode with a constant ON time. The switching frequency is a function of the load current. In sleep mode, the load current is only a few  $\mu$ A. Switching frequency is very low (about 10Hz). Quiescent current is below 12 $\mu$ A (typ) 7 $\mu$ A is from U1 and 5 $\mu$ A (max) is from U2.

When the system wakes up, the load begins to draw current. Response time is fast (because of the LDO).

Accuracy of the threshold voltage at SHDN input is 1.228V  $\pm$ 3.5% so a complete shutdown function occurs when input voltage is too low. In this example, we have a divide by 2, which means that when the battery voltage is under about 2.46V, the step-up is in real shutdown mode ( $I_Q < 1\mu$ A) and if its RST output is directly connected to SHDN of the MAX8880 (as shown in red dotted line), the LDO enters into real shutdown mode ( $I_Q < 1\mu$ A) and the output voltage is 0V.

### Related Parts

<a href="#">MAX1833</a>	High-Efficiency Step-Up Converters with Reverse Battery Protection	<a href="#">Free Samples</a>
<a href="#">MAX8880</a>	12V, Ultra-Low- $I_Q$ , Low-Dropout Linear Regulators with POK	<a href="#">Free Samples</a>

### More Information

For Technical Support: <http://www.maximintegrated.com/support>

For Samples: <http://www.maximintegrated.com/samples>

Other Questions and Comments: <http://www.maximintegrated.com/contact>

Application Note 2047: <http://www.maximintegrated.com/an2047>  
APPLICATION NOTE 2047, AN2047, AN 2047, APP2047, Appnote2047, Appnote 2047  
Copyright © by Maxim Integrated Products  
Additional Legal Notices: <http://www.maximintegrated.com/legal>