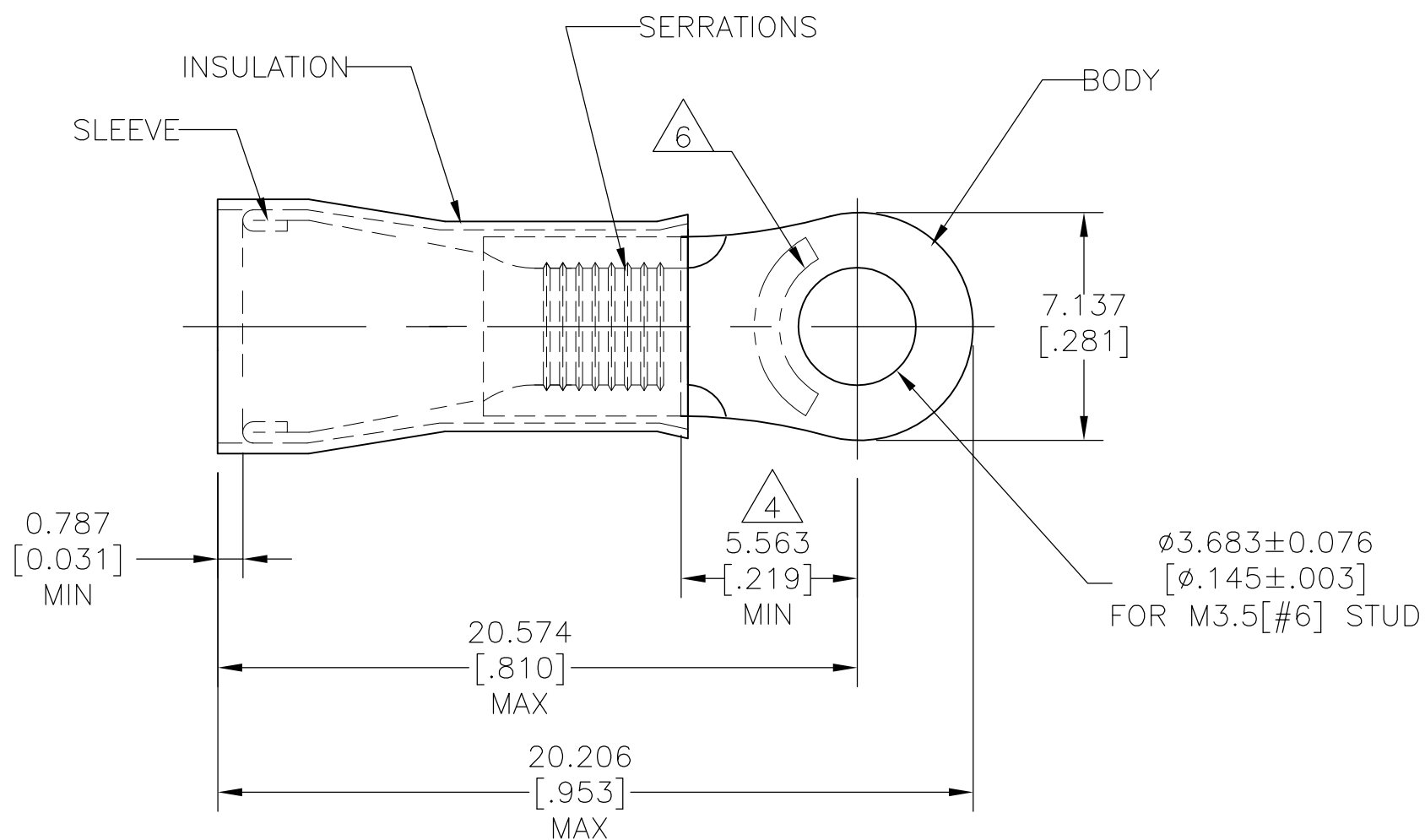


P	LTR	DESCRIPTION	DATE	DWN	APVD
E3		REVISED PER ECO-13-005147	27MAR13	KH	DR
E4		REVISED PER ECO-17-007400	23NO2017	RS	DR



- 1 WIRE INSUL $\phi 3.810-5.842[\phi .150-.230]$
- 2 MATERIAL: BODY - CU PER ASTM B152
SLEEVE - CU PER ASTM B152
INSULATION - NYLON ASTM D4066, TYPE 1
- 3 FINISH: BODY & SLEEVE: TIN PER ASTM B-545
INSULATION - COLOR: YELLOW
- 4 APPLIES FROM THE EDGE OF METAL BARREL
TO THE CENTER OF THE STUD HOLE.
- 5 BODY MATERIAL THICKNESS: $0.991\pm 0.051[.039\pm .002]$
- 6 STAMP AMP 12-10* APPROX AS SHOWN.

AMP WIRE RANGE	Listed FILE E13288	LR7189 Certified
12-10 AWG SOLID OR STRANDED	12-10 AWG SOLID OR STRANDED	12-10 AWG SOLID OR STRANDED

2000	ON TAPE	2-320634-1
500	LOOSE PIECE	320634
QTY	PACKAGE TYPE	PART NO

MAX RECOMMENDED OPERATING TEMPERATURE: 105°C [221°F]	THIS DRAWING IS A CONTROLLED DOCUMENT.		DWN jr_ruth 12JUN09	STE TE Connectivity
	VOLTAGE RATING: 300 V MAX	DIMENSIONS: mm [INCHES]	CHK TOM MICHIELUTTI 12JUN09	
CIRCULAR MIL AREA: 2.62-6.64mm ² [5,180-13,100] SOLID OR STRANDED		TOLERANCES UNLESS OTHERWISE SPECIFIED:	APVD TOM MICHIELUTTI 12JUN09	
		MATERIAL 2	FINISH 3	
		0 PLC ± - 1 PLC ± - 2 PLC ± - 3 PLC ± 0.127[.005] 4 PLC ± - ± 5° ANGLES	PRODUCT SPEC UL 486 A-B	SIZE A3
			APPLICATION SPEC 114-2157	CAGE CODE 00779
			WEIGHT -	DRAWING NO C-320634
			CUSTOMER DRAWING	RESTRICTED TO -
			SCALE 5:1	SHEET 1 OF 1
				REV E4