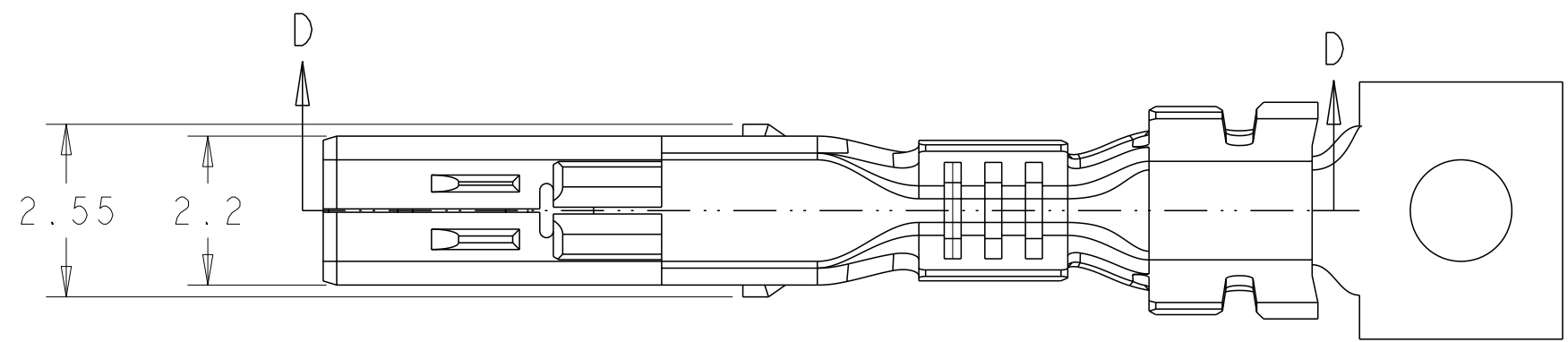
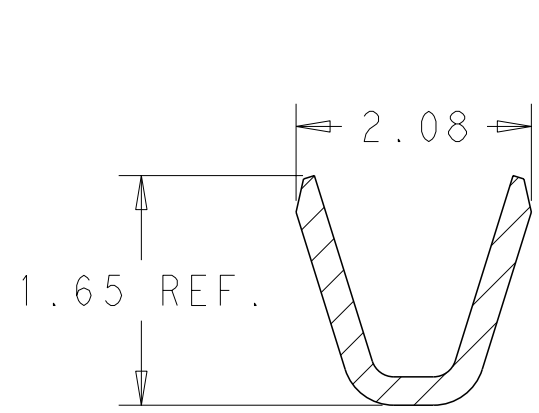
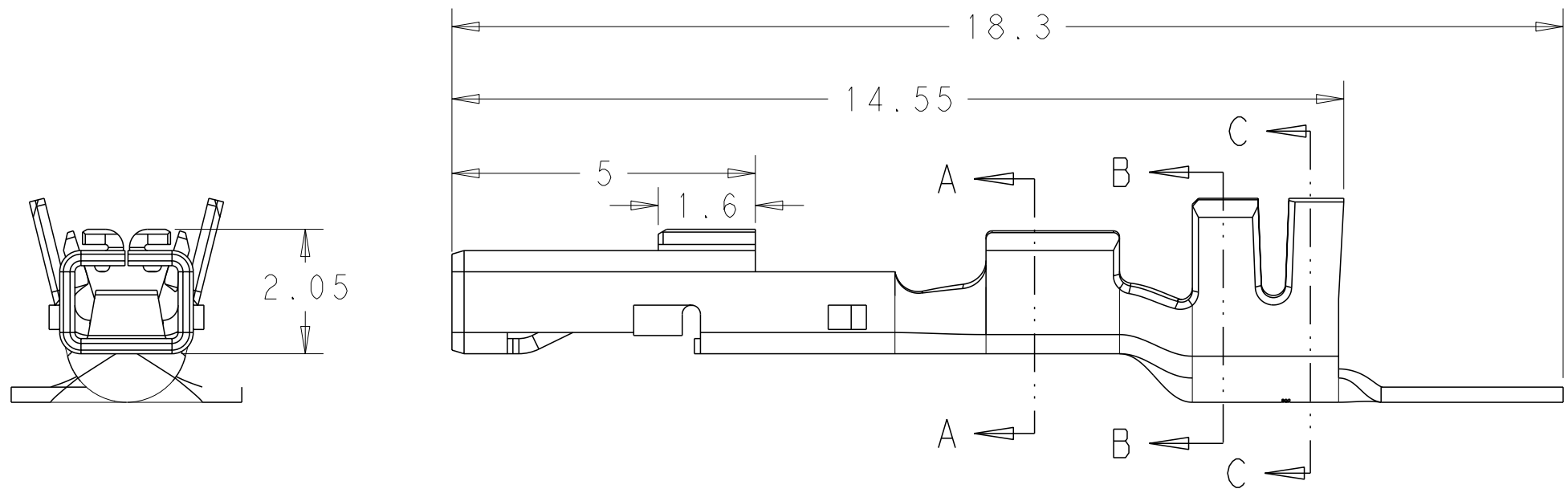


THIS DRAWING IS UNPUBLISHED. RELEASED FOR PUBLICATION
 © COPYRIGHT copyright.d8te- ALL RIGHTS RESERVED.

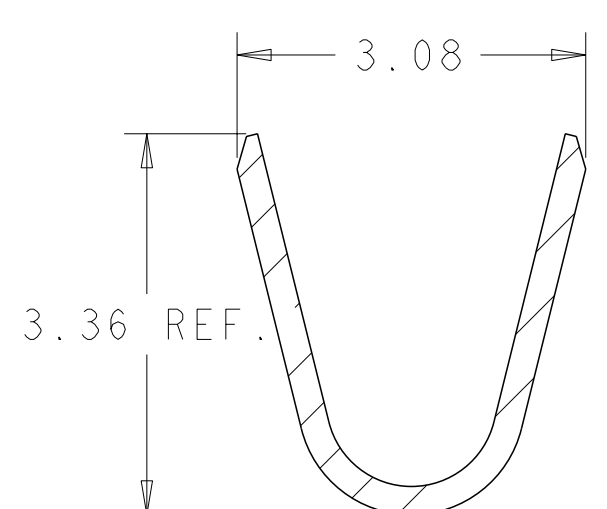
REVISIONS				
P	LTR	DESCRIPTION	DATE	APVD
B1		REVISED PER ECR-19-002395	21FEB2019	N.L D.Z
B2		REVISED PER ECR-20-100273	10AUG2020	M.G D.Z



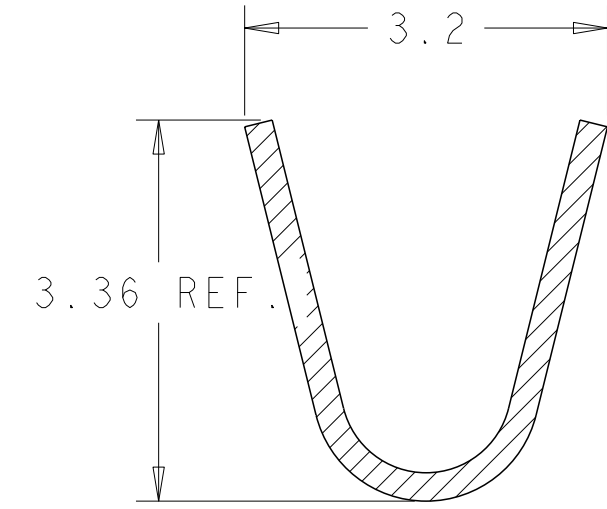
1. MATERIAL: COPPER ALLOY, PRE-TIN.
2. WIRE RANGE: 0.14-0.34mm² [26-22 AWG] STRANDED.
3. INSULATION RANGE: 1.3~2.0.



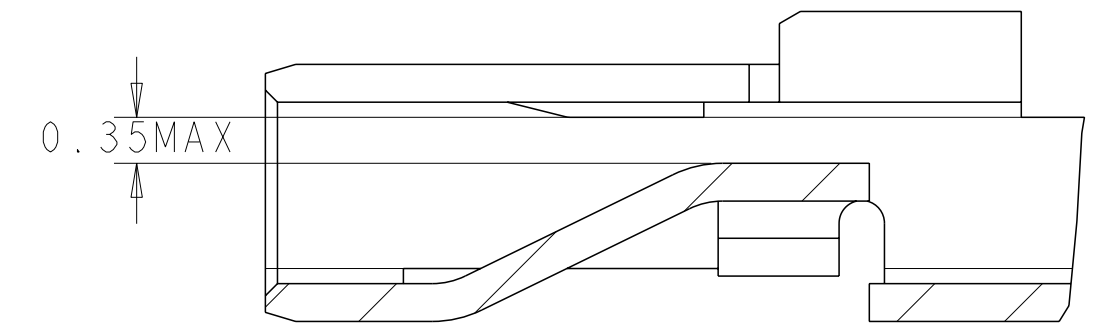
SECTION A-A
SCALE 15:1



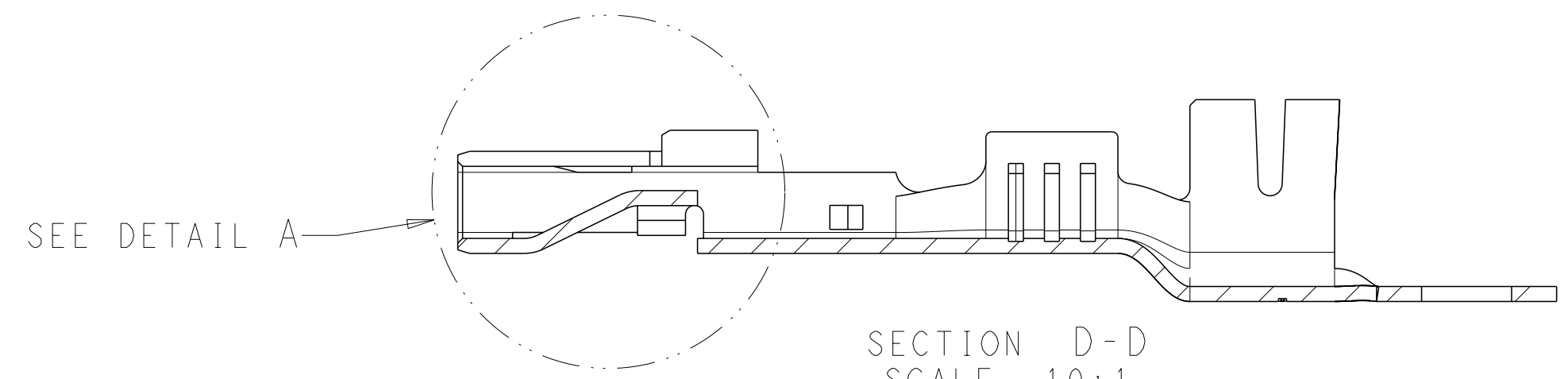
SECTION B-B
SCALE 15:1



SECTION C-C
SCALE 15:1



DETAIL A
SCALE 20:1



SECTION D-D
SCALE 10:1

LUBRICANT	1-2232902-1
-	2232902-1
FINISH	PART NO.

THIS DRAWING IS A CONTROLLED DOCUMENT.		DWN OITO CHEN 25FEB2016	TE Connectivity	
DIMENSIONS: mm		CHK DANIEL 28FEB2016		
TOLERANCES UNLESS OTHERWISE SPECIFIED:		APVD DANIEL 28FEB2016	NAME PDL REC TERMINAL	
0 PLC ±0.50 1 PLC ±0.40 2 PLC ±0.30 3 PLC ± 4 PLC ± ANGLES ±3° FINISH		PRODUCT SPEC 108-5410	RESTRICTED TO	
MATERIAL		APPLICATION SPEC 114-5175	SIZE A2	CAGE CODE -
-		WEIGHT -	DRAWING NO C-2232902	SCALE 6:1
-		CUSTOMER DRAWING	SHEET 1	OF 1
			REV B2	