

Keywords: DS2172, bit error rate tester, BERT

APPLICATION NOTE 332

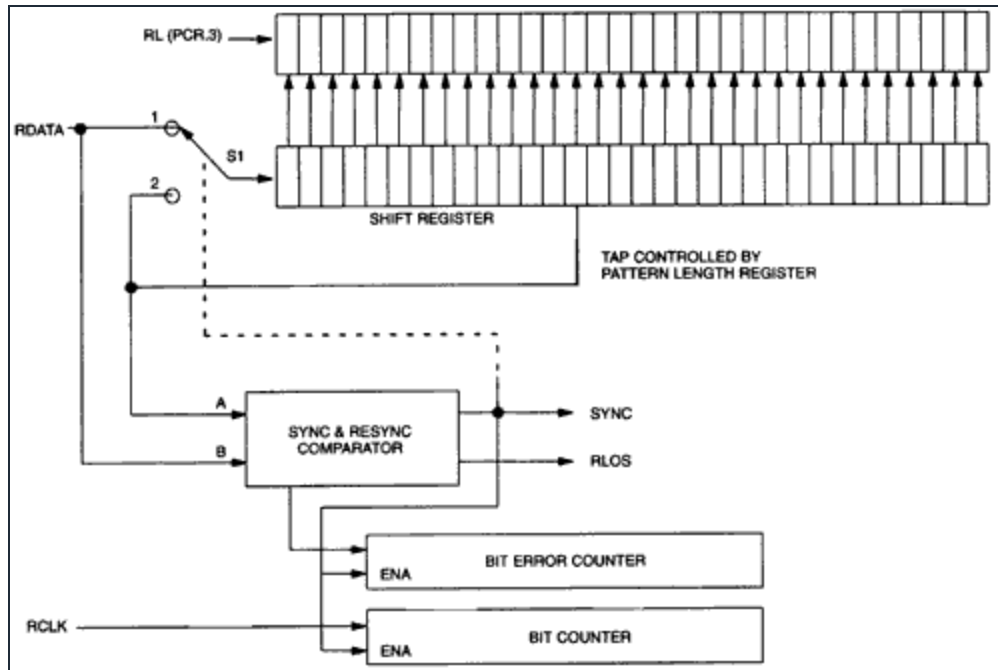
DS2172 Simplified Receiver Operation

May 08, 2001

Abstract: DS2172 Bit Error Rate Tester (BERT) simplified receiver operation during repetitive pattern mode.

Operation During Repetitive Pattern Mode

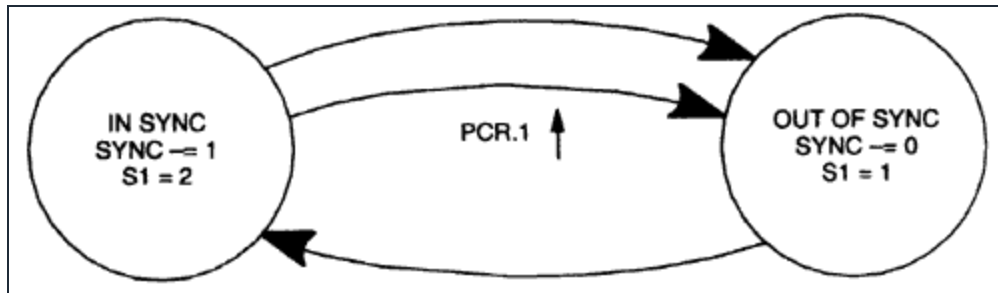
PATTERN RECEIVE REGISTERS



Notes:

1. All receive circuitry disabled when **RDIS = 1**.
2. Clocks not shown for clarity.

6 OUT OF 64 BITS IN ERROR
ALL A & B AND PCR 2-0



32 CONSECUTIVE MATCHES
AT A&B

Related Parts

[DS2172](#)

Bit Error Rate Tester (BERT)

[Free Samples](#)

More Information

For Technical Support: <http://www.maximintegrated.com/support>

For Samples: <http://www.maximintegrated.com/samples>

Other Questions and Comments: <http://www.maximintegrated.com/contact>

Application Note 332: <http://www.maximintegrated.com/an332>

APPLICATION NOTE 332, AN332, AN 332, APP332, Appnote332, Appnote 332

Copyright © by Maxim Integrated Products

Additional Legal Notices: <http://www.maximintegrated.com/legal>