

6

5

4

3

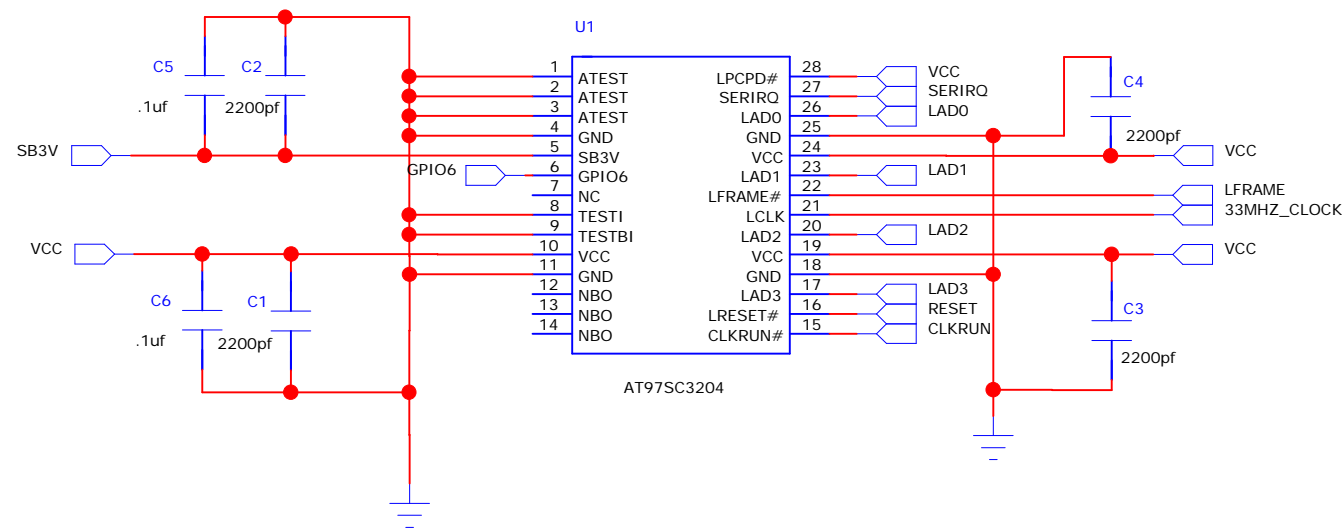
2

1

NOTES:

Place caps as close to device
AT97SC3204 as possible.

Refer to Atmel
TPM_Decoupling_Guidance_8580A_Dec08 Spec



AT97SC3204

COMPANY:

ATMEL

TITLE:

CryptoSeven LPC TPM Reference Design

DRAWN: M. LONG	DATED: 23-FEB-09	CODE:	SIZE: B	DRAWING NO: AT97SC3204	REV: 1.0
CHECKED:	DATED:				SCALE: NTS
QUALITY CONTROL:	DATED:				
RELEASED:	DATED:				