

BTS72220-4ESA

SPOC™ +2

Serial Interface Power Controller

2x 5.5 mΩ

2x 13.5 mΩ



RoHS



ISO 26262 ready

| | |
|----------------|-------------|
| Package | PG-TSDSO-24 |
| Marking | 72220-4ESA |

1 Overview

Potential Applications

- Suitable for resistive, inductive and capacitive loads
- Replaces electromechanical relays, fuses and discrete circuits
- Driving capability suitable for 7 A and 4 A loads and high inrush current loads such as 65W bulb or equivalent electronic loads (e.g. LED modules) and 42W bulb or equivalent electronic loads (e.g. LED modules)

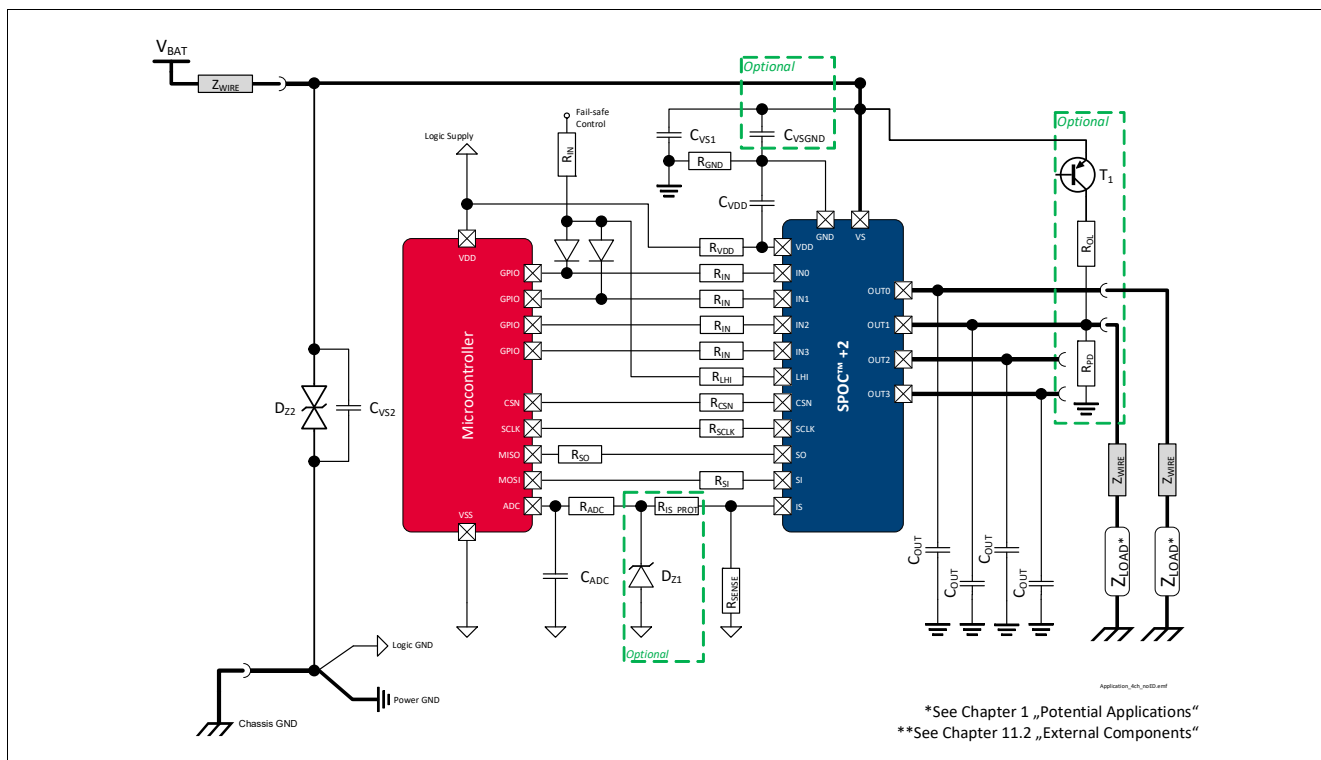
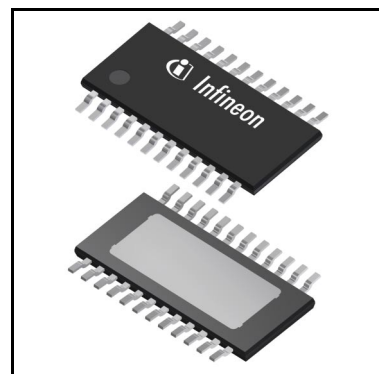


Figure 1 Application Diagram. Further information in Chapter 11

Overview

Basic Features

- High-Side Switch with Diagnosis and Embedded Protection
- Part of SPOC™ +2 Family
- Daisy Chain capable SPI interface
- 3.3 V and 5 V compatible logic pins
- Slew rate control for all Channels
- ReverseON for low power dissipation in Reverse Polarity
- Switch ON capability while Inverse Current condition (InverseON)
- Green Product (RoHS compliant)

Protection Features

- Absolute and dynamic temperature limitation with controlled restart
- Overcurrent protection (tripping) with Programmable Restart Control and Current Threshold
- Undervoltage shutdown
- Overvoltage protection with external components

Diagnostic Features

- Proportional load current sense multiplexed
- Open Load in ON and OFF state
- Short circuit to ground and battery
- Diagnosis feedback via SPI

Functional Safety Features

- Limp Home mode
- Monitoring of Input pin status (IN and LHI)
- Checksum verification of Configuration Registers
- Current Sense verification mode

Product Validation

Qualified for automotive applications. Product validation according to AEC-Q100 Grade 1.

Description

The BTS72220-4ESA is a Serial Interface Power Controller, providing protection functions and diagnosis. The device is integrated in SMART7 technology.

Overview

Table 1 Product Summary

| Parameter | Symbol | Values |
|---|--------------------|---------------|
| Minimum Operating voltage (at switch ON) | $V_{S(OP)}$ | 4.1 V |
| Minimum Operating voltage (cranking) | $V_{S(UV)}$ | 3.1 V |
| Maximum Operating voltage | V_S | 28 V |
| Digital Supply voltage | V_{DD} | 3.3 V or 5 V |
| Minimum Overvoltage protection ($T_J \geq 25\text{ °C}$) | $V_{DS(CLAMP)_25}$ | 35 V |
| Maximum current in Sleep mode ($T_J \leq 85\text{ °C}$) | $I_{VS(SLEEP)_85}$ | 1.3 μ A |
| Maximum operative current | $I_{GND(ACTIVE)}$ | 7 mA |
| Maximum ON-state resistance ($T_J = 150\text{ °C}$) channels 0 and 3 | $R_{DS(ON)_150}$ | 9 m Ω |
| Maximum ON-state resistance ($T_J = 150\text{ °C}$) channels 1 and 2 | $R_{DS(ON)_150}$ | 22 m Ω |
| Nominal load current ($T_A = 85\text{ °C}$) channels 0 and 3 | $I_{L(NOM)}$ | 7 A |
| Nominal load current ($T_A = 85\text{ °C}$) channels 1 and 2 | $I_{L(NOM)}$ | 4 A |
| Typical current sense ratio at $I_L = I_{L(NOM)}$ channels 0 and 3 | k_{ILIS} | 5500 |
| Typical current sense ratio at $I_L = I_{L(NOM)}$ channels 1 and 2 | k_{ILIS} | 2500 |
| Serial Clock Frequency | $f_{SCLK(max)}$ | 5 MHz |

Block Diagram and Terms

2 Block Diagram and Terms

2.1 Block Diagram

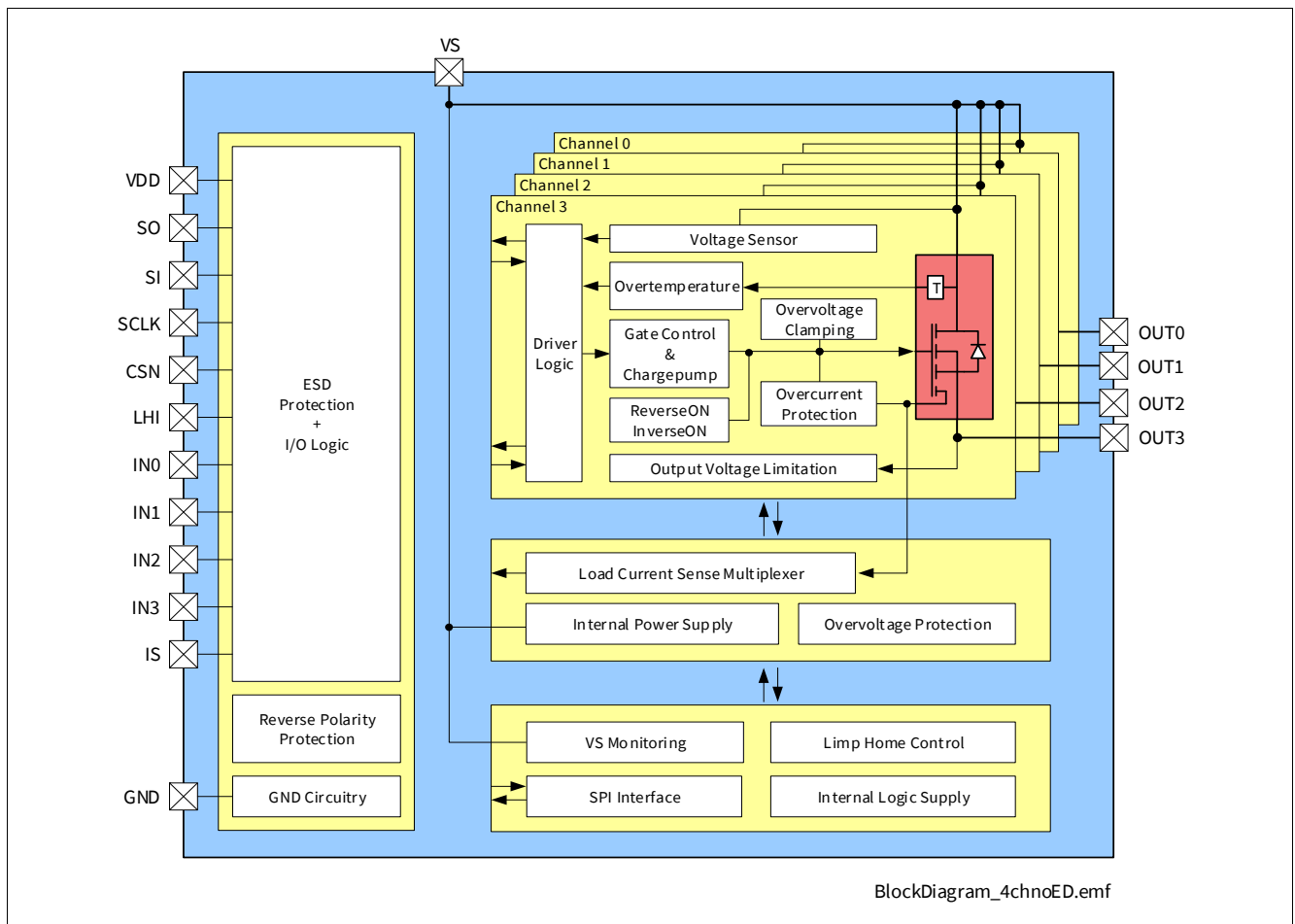


Figure 2 Block Diagram of BTS72220-4ESA

Block Diagram and Terms

2.2 Terms

Figure 3 shows all terms used in this data sheet, with associated convention for positive values.

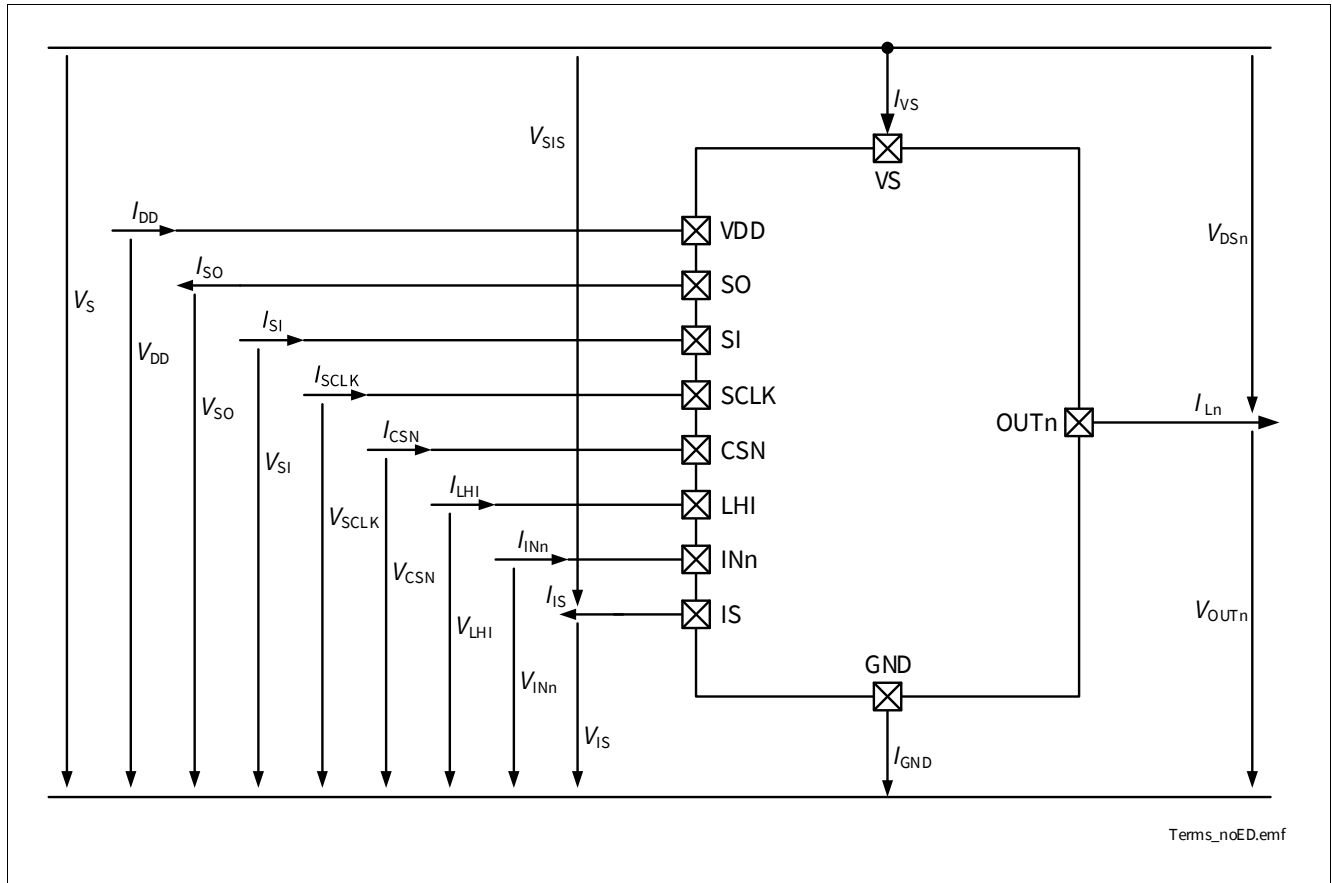


Figure 3 Voltage and Current Convention

Pin Configuration

3 Pin Configuration

3.1 Pin Assignment

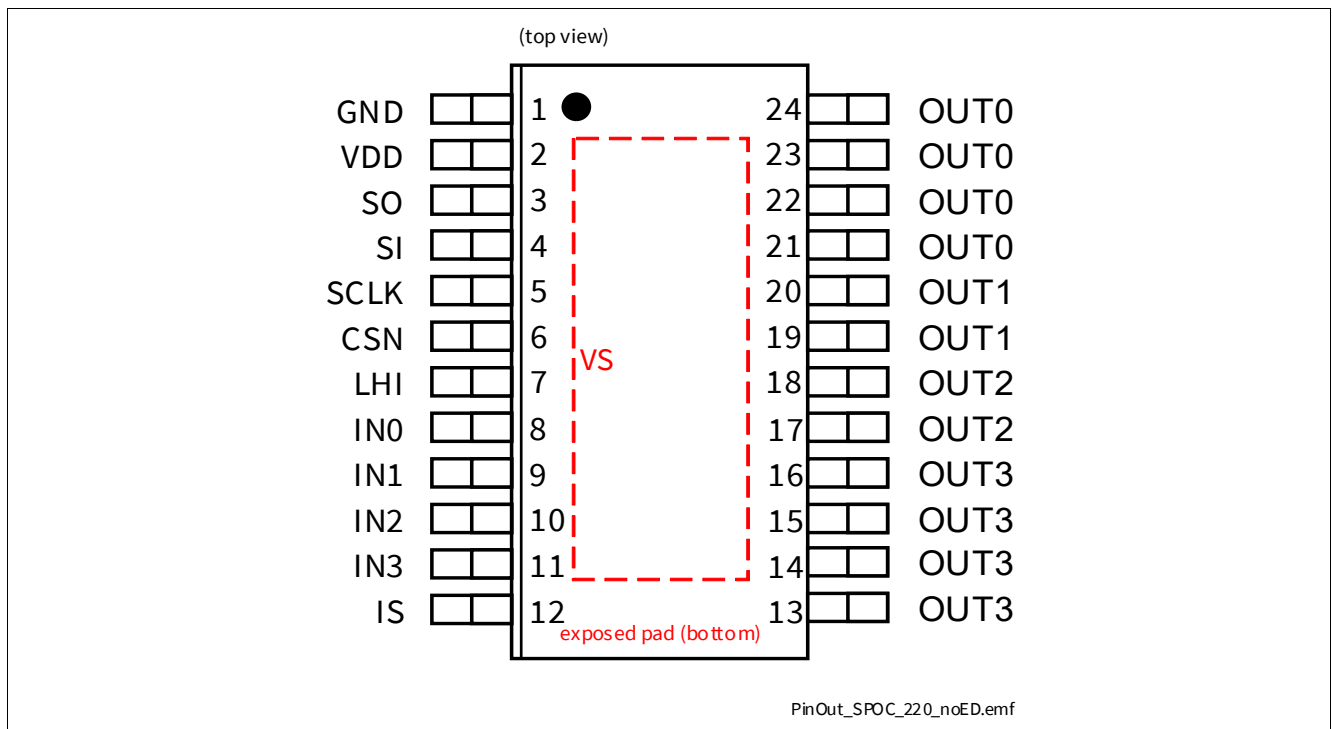


Figure 4 Pin Configuration

Pin Configuration

3.2 Pin Definitions and Functions

Table 2 Pin Definition

| Pin | Symbol | I/O | Function |
|----------------------------------|---------------------|-----|---|
| EP | VS (exposed pad) | - | Power Supply Voltage Battery voltage |
| 1 | GND | - | Ground |
| 2 | VDD | - | Digital Supply Voltage |
| 3 | SO | O | Serial output of SPI interface |
| 4 | SI | I | Serial input of SPI interface (“high” active) |
| 5 | SCLK | I | Serial clock of SPI interface (“high” active) |
| 6 | CSN | I | Chip select of SPI interface (“low” active); integrated pull up to VDD |
| 7 | LHI | I | Limp Home activation signal (“high” active) |
| 8, 9 10, 11 | INn | I | Input Channel n Digital signal to switch ON the channel n (“high” active) If not used: connect with a 10 kΩ resistor either to GND pin or to module ground |
| 12 | IS | O | Current sense output signal |
| 21-24 19-20 17-18 13-16 | OUTn | O | Output n Protected high-side power output of channel n ¹⁾ |

1) All output pins of the channel must be connected together on the PCB. All pins of the output are internally connected together. PCB traces have to be designed to withstand the maximum current which can flow.

General Product Characteristics

4 General Product Characteristics

4.1 Absolute Maximum Ratings - General

Table 3 Absolute Maximum Ratings¹⁾

$T_J = -40\text{ °C}$ to $+150\text{ °C}$; all voltages with respect to ground, positive current flowing into pin (unless otherwise specified)

| Parameter | Symbol | Values | | | Unit | Note or Test Condition | Number |
|--|-----------------|--------|------|------|------|--|------------|
| | | Min. | Typ. | Max. | | | |
| Supply pins | | | | | | | |
| Power Supply Voltage | V_S | -0.3 | – | 28 | V | – | P_4.1.0.1 |
| Digital Supply Voltage | V_{DD} | -0.3 | – | 5.5 | V | – | P_4.1.0.29 |
| Load Dump Voltage | $V_{BAT(LD)}$ | – | – | 35 | V | suppressed Load Dump acc. to ISO16750-2 (2010). $R_i = 2\ \Omega$ | P_4.1.0.3 |
| Supply Voltage for Short Circuit Protection | $V_{BAT(SC)}$ | 0 | – | 24 | V | Setup acc. to AEC-Q100-012 | P_4.1.0.25 |
| Reverse Polarity Voltage | $-V_{BAT(REV)}$ | – | – | 16 | V | $t \leq 2\text{ min}$ $T_A = +25\text{ °C}$ Setup as described in Chapter 11 | P_4.1.0.5 |
| Current through GND Pin | I_{GND} | -50 | – | 50 | mA | R_{GND} according to Chapter 11 | P_4.1.0.9 |
| Current through VDD Pin | $I_{VDD(REV)}$ | -10 | – | 30 | mA | $t \leq 2\text{ min}$ | P_4.1.0.10 |
| Counter Reset Delay Time after Fault Condition | t_{RETRY} | 50 | – | – | ms | – | P_4.1.0.35 |

Logic & control pins (Digital Input = DI)

DI = INn, CS, SCLK, SI, LHI

| | | | | | | | |
|--|---------------|----|---|----|----|--|------------|
| Current through DI Pin | I_{DI} | -1 | – | 2 | mA | ²⁾ | P_4.1.0.14 |
| Current through DI Pin Reverse Battery Condition | $I_{DI(REV)}$ | -1 | – | 10 | mA | ²⁾ $t \leq 2\text{ min}$ | P_4.1.0.36 |

Logic & control pins (Digital Output = DO)

DO = SO

| | | | | | | | |
|--|---------------|-----|---|---|----|--|------------|
| Current through DO Pin | I_{DO} | -2 | – | 1 | mA | ²⁾ | P_4.1.0.33 |
| Current through DO Pin Reverse Battery Condition | $I_{DO(REV)}$ | -10 | – | 1 | mA | ²⁾ $t \leq 2\text{ min}$ | P_4.1.0.37 |

General Product Characteristics

Table 3 Absolute Maximum Ratings¹⁾ (continued)

$T_J = -40\text{ °C}$ to $+150\text{ °C}$; all voltages with respect to ground, positive current flowing into pin (unless otherwise specified)

| Parameter | Symbol | Values | | | Unit | Note or Test Condition | Number |
|---|--------------------|--------|------|-----------------------|------|----------------------------|------------|
| | | Min. | Typ. | Max. | | | |
| IS pin | | | | | | | |
| Voltage at IS Pin | V_{IS} | -1.5 | – | V_S | V | $I_{IS} = 10\ \mu\text{A}$ | P_4.1.0.16 |
| Current through IS Pin | I_{IS} | -25 | – | $I_{IS(SAT),M}$ AX | mA | – | P_4.1.0.18 |
| Temperatures | | | | | | | |
| Junction Temperature | T_J | -40 | – | 150 | °C | – | P_4.1.0.19 |
| Storage Temperature | T_{STG} | -55 | – | 150 | °C | – | P_4.1.0.20 |
| ESD Susceptibility | | | | | | | |
| ESD Susceptibility all Pins (HBM) | $V_{ESD(HBM)}$ | -2 | – | 2 | kV | HBM ³⁾ | P_4.1.0.21 |
| ESD Susceptibility OUTn vs GND and VS connected (HBM) | $V_{ESD(HBM)_OUT}$ | -4 | – | 4 | kV | HBM ³⁾ | P_4.1.0.22 |
| ESD Susceptibility all Pins (CDM) | $V_{ESD(CDM)}$ | -500 | – | 500 | V | CDM ⁴⁾ | P_4.1.0.23 |
| ESD Susceptibility Corner Pins (pins 1, 12, 13, 24) | $V_{ESD(CDM)_CRN}$ | -750 | – | 750 | V | CDM ⁴⁾ | P_4.1.0.24 |

- 1) Not subject to production test - specified by design.
- 2) Maximum V_{DI} to be considered for Latch-Up tests: 5.5 V.
- 3) ESD susceptibility, Human Body Model "HBM", according to AEC Q100-002.
- 4) ESD susceptibility, Charged Device Model "CDM", according to AEC Q100-011.

Notes

1. Stresses above the ones listed here may cause permanent damage to the device. Exposure to absolute maximum rating conditions for extended periods may affect device reliability.
2. Integrated protection functions are designed to prevent IC destruction under fault conditions described in the data sheet. Fault conditions are considered as “outside” normal operating range. Protection functions are not designed for continuous repetitive operation.

General Product Characteristics

4.2 Absolute Maximum Ratings - Power Stages

4.2.1 Power Stages - 5.5 mΩ channels

Table 4 Absolute Maximum Ratings - 5.5 mΩ channels¹⁾

$T_J = -40\text{ °C}$ to $+150\text{ °C}$; all voltages with respect to ground, positive current flowing into pin (unless otherwise specified)

| Parameter | Symbol | Values | | | Unit | Note or Test Condition | Number |
|---|----------|--------|------|------------------|------|---|------------|
| | | Min. | Typ. | Max. | | | |
| Maximum Energy Dissipation Single Pulse | E_{AS} | – | – | 100 | mJ | $I_L = 2 \cdot I_{L(NOM)}$ $T_{J(0)} = 150\text{ °C}$ $V_S = 28\text{ V}$ | P_4.2.13.1 |
| Maximum Energy Dissipation Repetitive Pulse | E_{AR} | – | – | 51 | mJ | $I_L = I_{L(NOM)}$ $T_{J(0)} = 85\text{ °C}$ $V_S = 13.5\text{ V}$ 1M cycles | P_4.2.13.2 |
| Load Current | $ I_L $ | – | – | $I_{L(OVL),MAX}$ | A | – | P_4.2.13.3 |

1) Not subject to production test - specified by design.

4.2.2 Power Stages - 13.5 mΩ channels

Table 5 Absolute Maximum Ratings - 13.5 mΩ channels¹⁾

$T_J = -40\text{ °C}$ to $+150\text{ °C}$; all voltages with respect to ground, positive current flowing into pin (unless otherwise specified)

| Parameter | Symbol | Values | | | Unit | Note or Test Condition | Number |
|---|----------|--------|------|------------------|------|---|------------|
| | | Min. | Typ. | Max. | | | |
| Maximum Energy Dissipation Single Pulse | E_{AS} | – | – | 35 | mJ | $I_L = 2 \cdot I_{L(NOM)}$ $T_{J(0)} = 150\text{ °C}$ $V_S = 28\text{ V}$ | P_4.2.14.1 |
| Maximum Energy Dissipation Repetitive Pulse | E_{AR} | – | – | 15.5 | mJ | $I_L = I_{L(NOM)}$ $T_{J(0)} = 85\text{ °C}$ $V_S = 13.5\text{ V}$ 1M cycles | P_4.2.14.2 |
| Load Current | $ I_L $ | – | – | $I_{L(OVL),MAX}$ | A | – | P_4.2.14.3 |

1) Not subject to production test - specified by design.

General Product Characteristics

4.3 Functional Range

Table 6 Functional Range - Supply Voltages and Temperature¹⁾

| Parameter | Symbol | Values | | | Unit | Note or Test Condition | Number |
|---|------------------|--------|------|------|------|--|-----------|
| | | Min. | Typ. | Max. | | | |
| Power Supply Voltage Range for Normal Operation | $V_{S(NOR)}$ | 6 | 13.5 | 18 | V | – | P_4.3.0.1 |
| Lower Extended Power Supply Voltage Range for Operation | $V_{S(EXT,LOW)}$ | 3.1 | – | 6 | V | ²⁾³⁾ (parameter deviations possible) | P_4.3.0.2 |
| Upper Extended Power Supply Voltage Range for Operation | $V_{S(EXT,UP)}$ | 18 | – | 28 | V | ³⁾ (parameter deviations possible) | P_4.3.0.3 |
| Digital Supply Voltage Range | $V_{DD(NOR)}$ | 3.0 | – | 5.5 | V | – | P_4.3.0.4 |
| Junction Temperature | T_J | -40 | – | 150 | °C | – | P_4.3.0.5 |

1) Not subject to production test - specified by design.

2) In case of V_S voltage decreasing: $V_{S(EXT,LOW),MIN} = 3.1$ V. In case of V_S voltage increasing: $V_{S(EXT,LOW),MIN} = 4.1$ V.

3) Protection functions still operative.

Note: Within the functional or operating range, the IC operates as described in the circuit description. The electrical characteristics are specified within the conditions given in the Electrical Characteristics tables.

4.4 Thermal Resistance

Note: This thermal data was generated in accordance with JEDEC JESD51 standards. For more information, go to www.jedec.org.

Table 7 Thermal Resistance¹⁾

| Parameter | Symbol | Values | | | Unit | Note or Test Condition | Number |
|---|---------------|--------|------|------|------|---|-----------|
| | | Min. | Typ. | Max. | | | |
| Thermal Characterization Parameter Junction-Top | Ψ_{JTOP} | – | 0.6 | 1.1 | K/W | ²⁾ | P_4.4.0.4 |
| Thermal Resistance Junction-to-Case | R_{thJC} | – | 0.2 | 0.4 | K/W | ²⁾ simulated at exposed pad | P_4.4.0.5 |
| Thermal Resistance Junction to Ambient | R_{thJA} | – | 26 | – | K/W | ²⁾ | P_4.4.0.6 |

1) Not subject to production test - specified by design.

2) According to Jedec JESD51-2,-5,-7 at natural convection on FR4 2s2p board; the Product (Chip + Package) was simulated on a 76.2 × 114.3 × 1.5 mm board with 2 inner copper layers (2 × 70 μm Cu, 2 × 35 μm Cu). Where applicable a thermal via array under the exposed pad contacted the first inner copper layer. Simulation done at $T_A = 105^\circ\text{C}$, $P_{DISSIPATION} = 1$ W.

General Product Characteristics

4.4.1 PCB Setup

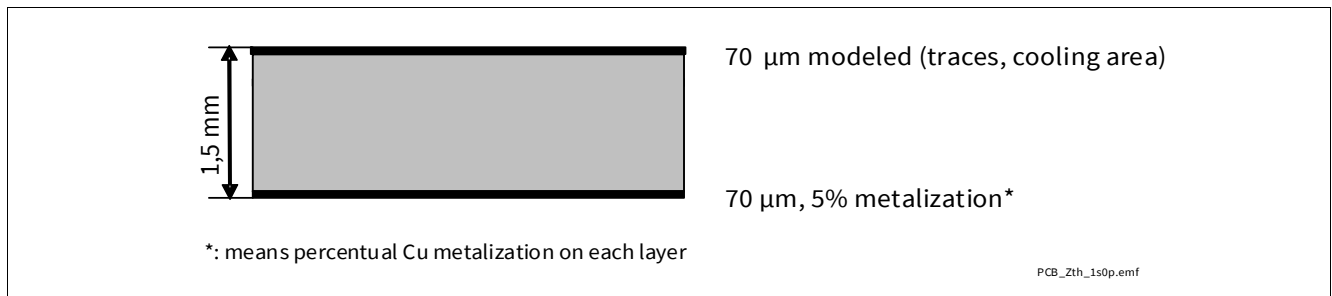


Figure 5 1s0p PCB Cross Section

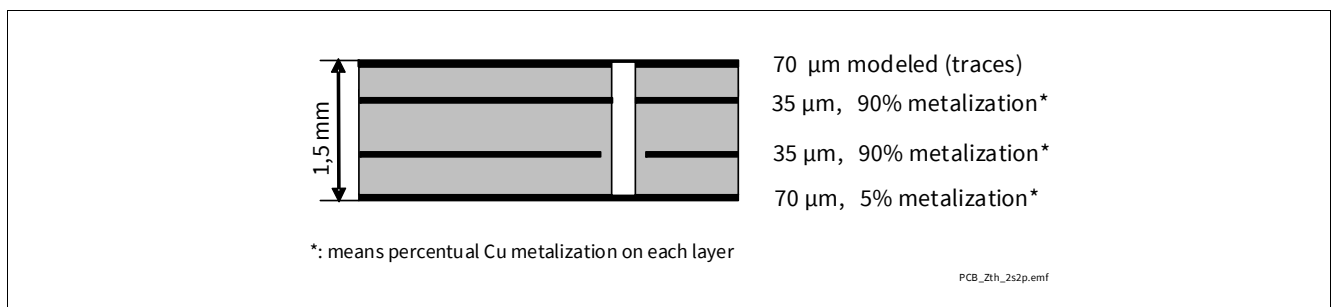


Figure 6 2s2p PCB Cross Section

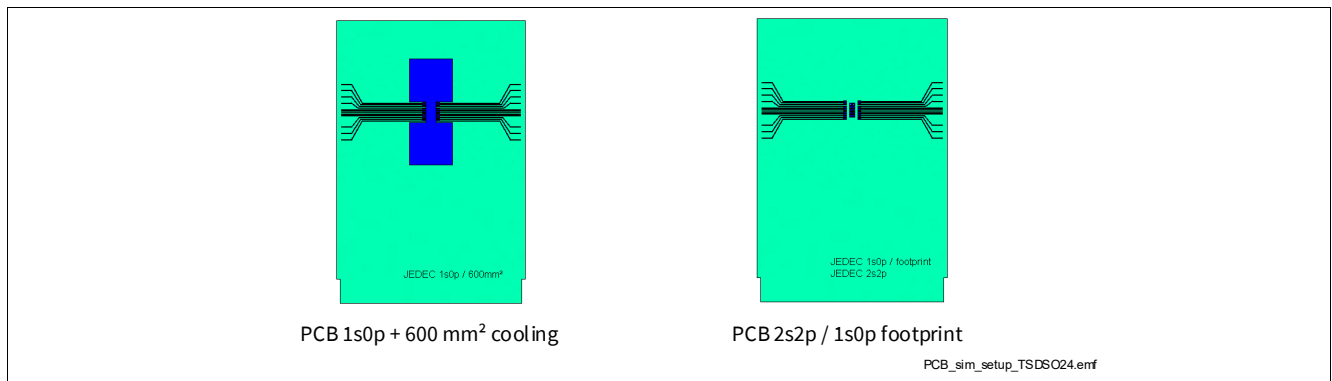


Figure 7 PCB setup for thermal simulations

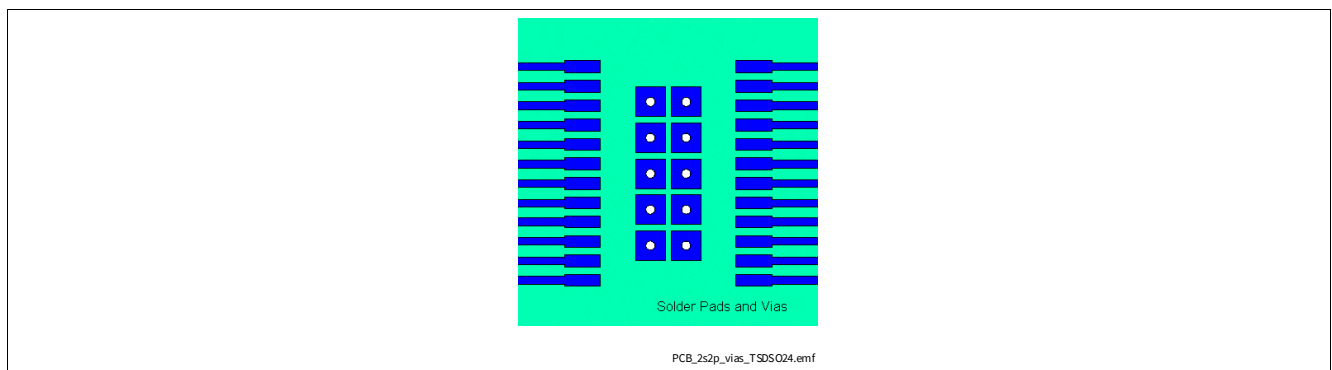


Figure 8 Thermal vias on PCB for 2s2p PCB setup

4.4.2 Thermal Impedance

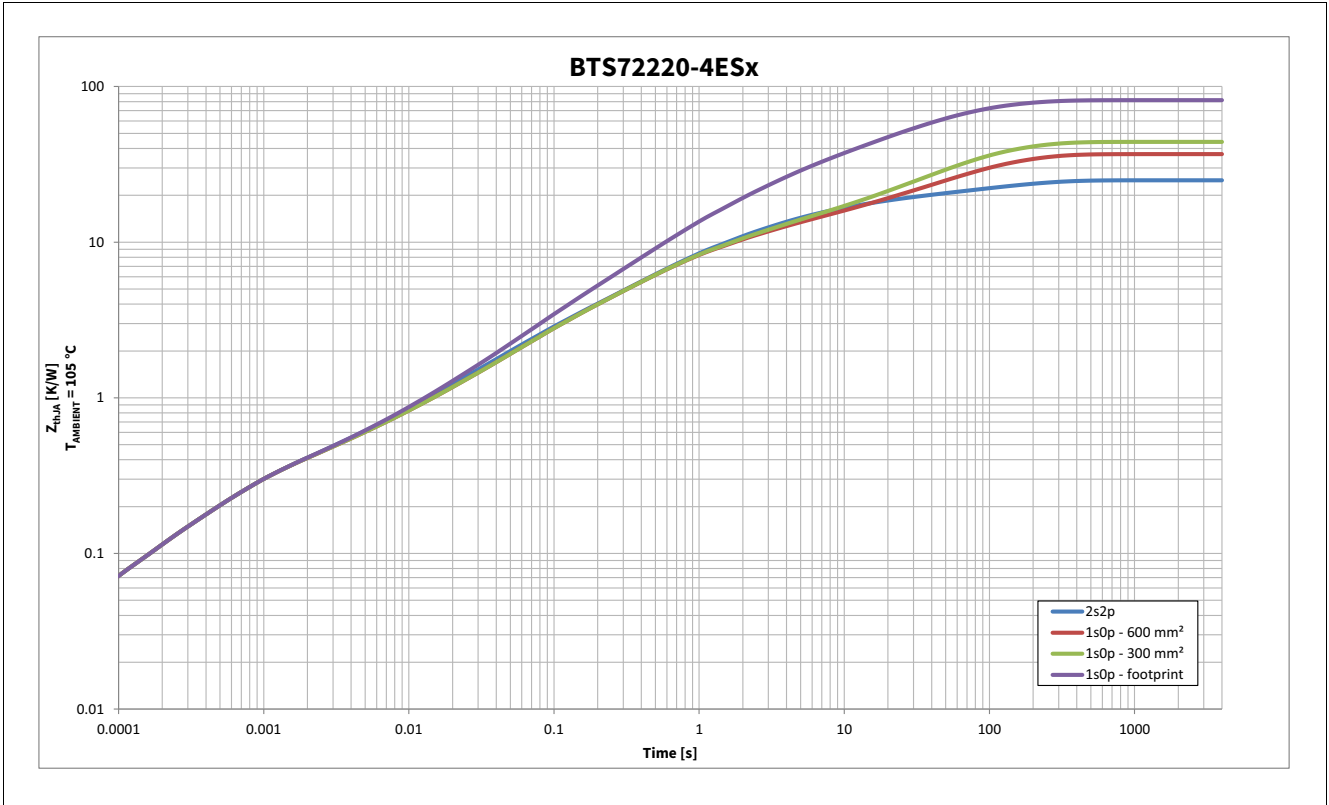


Figure 9 Typical Thermal Impedance. PCB setup according [Chapter 4.4.1](#)

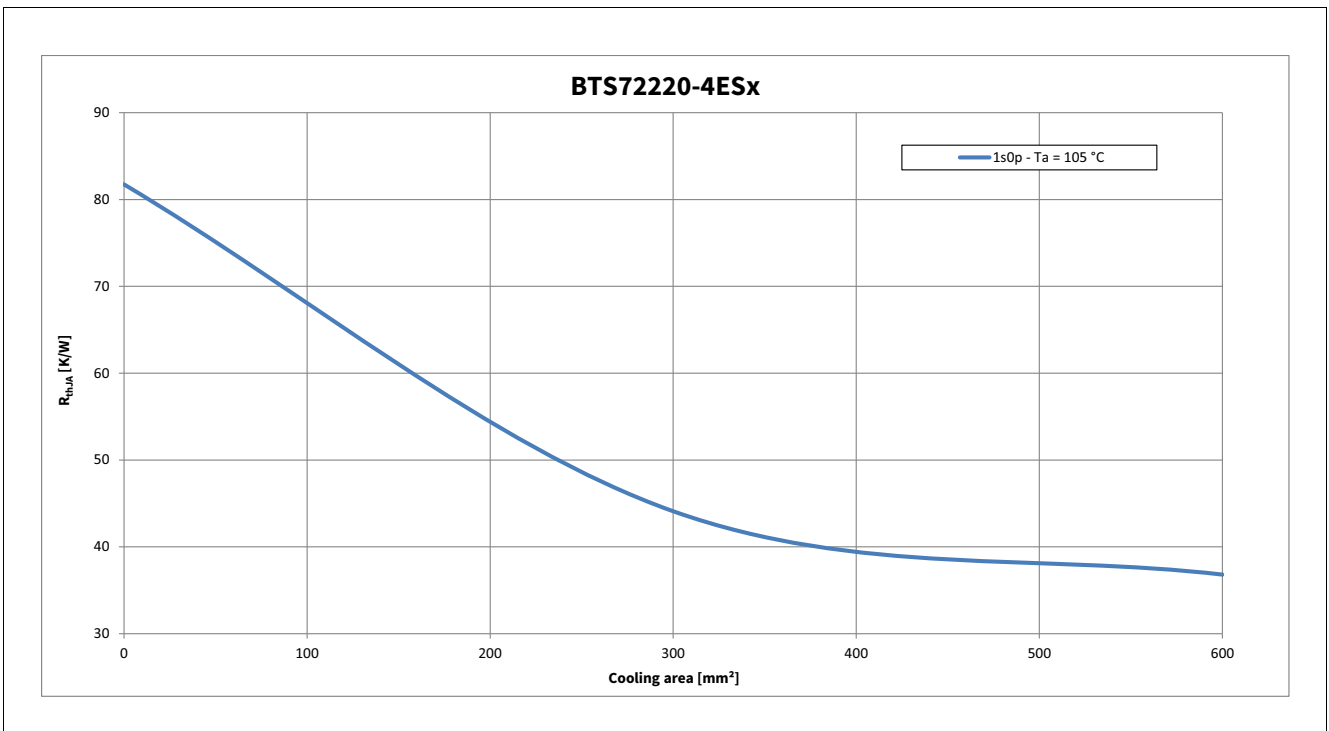


Figure 10 Thermal Resistance on 1s0p PCB with various cooling surfaces

Logic Pins

5 Logic Pins

The device has 9 digital pins to configure and control the device. They can be grouped based on their function into input pins, SPI pins and Limp Home pin.

5.1 Input Pins (INn)

The input pins IN0 to IN3 activate the corresponding output channel, if the device is either in Sleep, Stand-by, Ready or in Limp Home mode. The input circuitry is compatible with 3.3V and 5V microcontroller. The electrical equivalent of the input circuitry is shown in **Figure 11**. In case the pin is not used, it must be connected with a 10 kΩ resistor either to GND pin or to module ground.

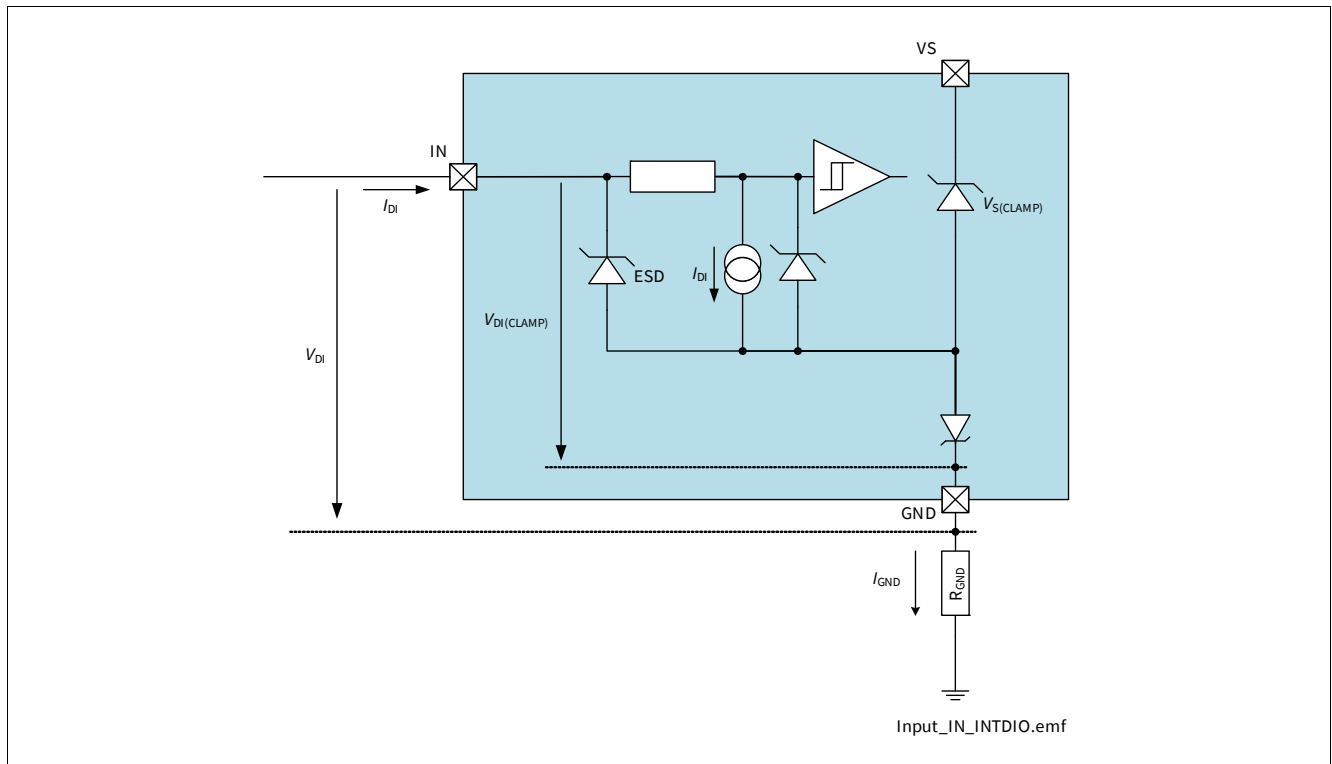


Figure 11 Input circuitry

The logic thresholds for “low” and “high” states are defined by parameters $V_{DI(TH)}$ and $V_{DI(HYS)}$. The relationship between these two values is shown in **Figure 12**. The voltage V_{IN} needed to ensure a “high” state is always higher than the voltage needed to ensure a “low” state.

Logic Pins

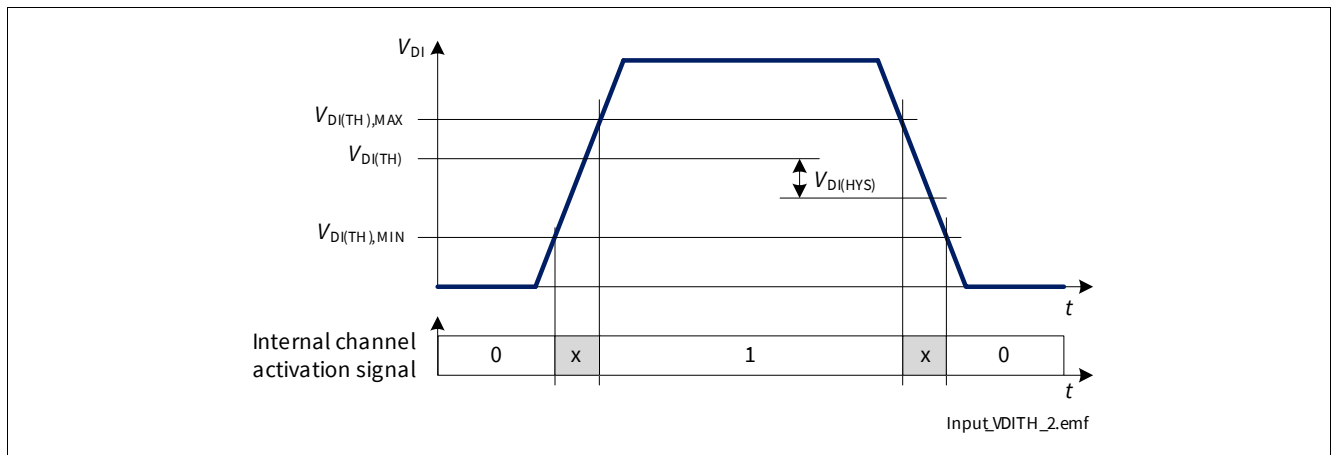


Figure 12 Input Threshold voltages and hysteresis

There are two ways of using the input pins in combination with the register **OUT** by programming bit **HWCR.COL** in register **HWCR** (see **Table 35**).

- **HWCR.COL** = 0_B: A channel is switched ON either by the according **OUT.OUTn** bit or by the input pin.
- **HWCR.COL** = 1_B: A channel is switched ON by the according **OUT.OUTn** bit only, when the input pin is “high”. In this configuration, a PWM signal can be applied to the input pin and the channel is activated by the SPI register **OUT** (see **Table 35**).

The default state (**HWCR.COL** = 0_B) is the OR-combination of the input signal and the SPI-bit. In Limp Home mode (LHI pin set to “high”) the combinatorial logic is in default state to enable a channel activation via the input pins only. **Figure 13** shows the complete input switch matrix.

The logic level of the input pins can be monitored via the input status monitor. In case of a “high” level on an input pin, the corresponding **ICS.INSTn** bit is set and cleared on read.

Logic Pins

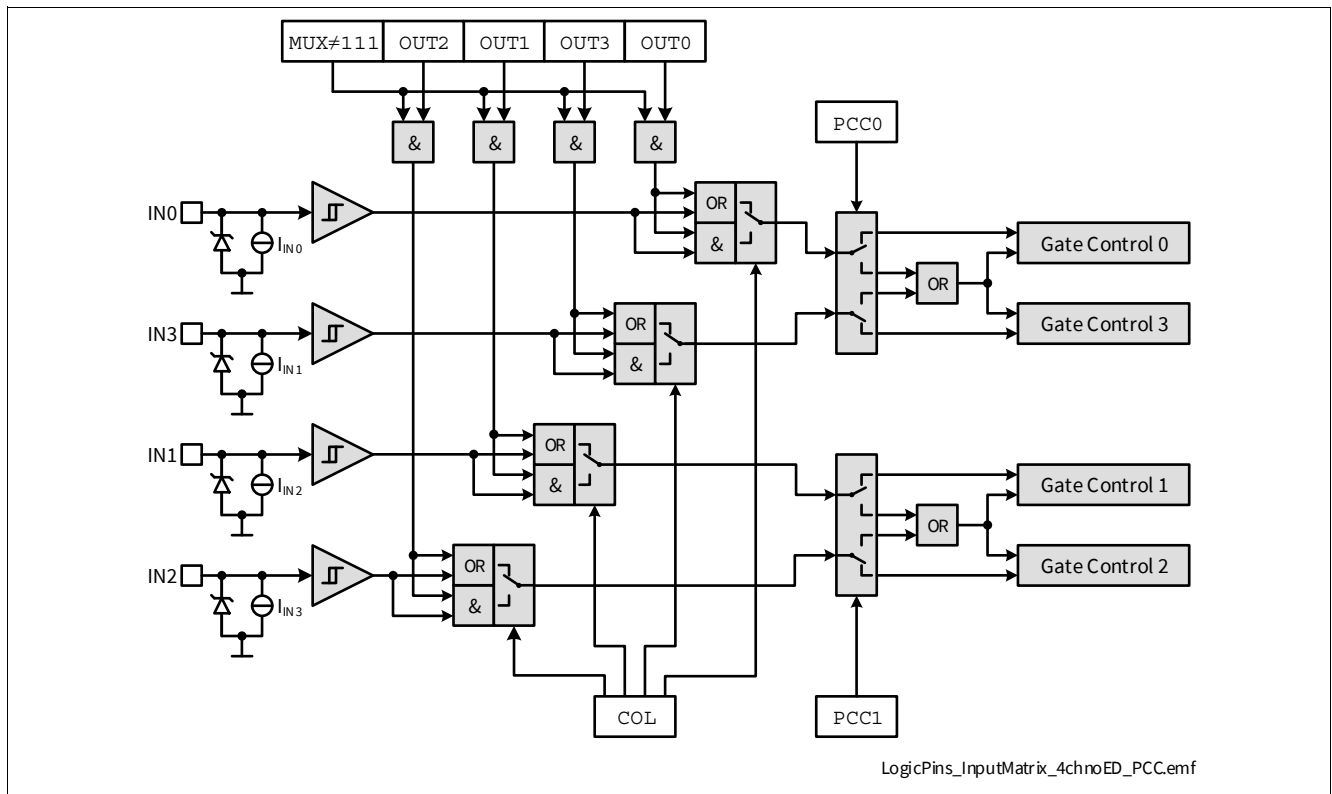


Figure 13 Input Switch Matrix

5.2 Advanced Features Pins

5.2.1 SPI Pins

The serial peripheral interface (SPI) is a full duplex synchronous serial slave interface, which uses four lines: SO, SI, SCLK and CSN. See [Chapter 10](#) for further information.

5.2.2 Limp Home Input (LHI) Pin

For activating the fail-safe state, the device features a Limp Home Input pin. When the pin is set to “high” for a time longer than $t_{LHI(AC)}$, the Limp Home mode will be activated. See [Chapter 6.1.7](#) and [Chapter 6.1.8](#) for further information.

Logic Pins

5.3 Electrical Characteristics Logic Pins

$V_{DD} = 3.0\text{ V to }5.5\text{ V}$, $V_S = 6\text{ V to }18\text{ V}$, $T_J = -40\text{ °C to }+150\text{ °C}$

Typical values: $V_{DD} = 5.0\text{ V}$, $V_S = 13.5\text{ V}$, $T_J = 25\text{ °C}$

Digital Input (DI) pins = IN

Table 8 Electrical Characteristics: Logic Pins - General

| Parameter | Symbol | Values | | | Unit | Note or Test Condition | Number |
|---------------------------------|------------------|--------|------|------|------|--|-----------|
| | | Min. | Typ. | Max. | | | |
| Digital Input Voltage Threshold | $V_{DI(TH)}$ | 0.8 | 1.3 | 2 | V | See Figure 11 and Figure 12 | P_5.4.0.1 |
| Digital Input Clamping Voltage | $V_{DI(CLAMP1)}$ | – | 7 | – | V | ¹⁾ $I_{DI} = 1\text{ mA}$ See Figure 11 and Figure 12 | P_5.4.0.2 |
| Digital Input Clamping Voltage | $V_{DI(CLAMP2)}$ | 6.5 | 7.5 | 8.5 | V | $I_{DI} = 2\text{ mA}$ See Figure 11 and Figure 12 | P_5.4.0.3 |
| Digital Input Hysteresis | $V_{DI(HYS)}$ | – | 0.25 | – | V | ¹⁾ See Figure 11 and Figure 12 | P_5.4.0.4 |
| Digital Input Current (“high”) | $I_{DI(H)}$ | 2 | 10 | 25 | μA | $V_{DI} = 2\text{ V}$ See Figure 11 and Figure 12 | P_5.4.0.5 |
| Digital Input Current (“low”) | $I_{DI(L)}$ | 2 | 10 | 25 | μA | $V_{DI} = 0.8\text{ V}$ See Figure 11 and Figure 12 | P_5.4.0.6 |

1) Not subject to production test - specified by design.

5.4 Electrical Characteristics Logic Pins - Advanced Features

Table 9 Electrical Characteristics: Logic Pins - Advanced

| Parameter | Symbol | Values | | | Unit | Note or Test Condition | Number |
|---|-------------------|--------|------|------|------|--|-----------|
| | | Min. | Typ. | Max. | | | |
| SPI pins | | | | | | | |
| Digital Input Voltage Threshold of Pin CSN | $V_{CSN(TH)}$ | 0.8 | 1.3 | 2 | V | – | P_5.5.0.1 |
| Digital Input Voltage Threshold of Pin SCLK | $V_{SCLK(TH)}$ | 0.8 | 1.3 | 2 | V | ¹⁾ | P_5.5.0.2 |
| Digital Input Voltage Threshold of Pin SI | $V_{SI(TH)}$ | 0.8 | 1.3 | 2 | V | – | P_5.5.0.3 |
| Digital Input Clamping Voltage of Pin CSN | $V_{CSN(CLAMP1)}$ | – | 7 | – | V | ²⁾ $I_{CSN} = 1\text{ mA}$ | P_5.5.0.4 |
| Digital Input Clamping Voltage of Pin CSN | $V_{CSN(CLAMP2)}$ | 6.5 | 7.5 | 8.5 | V | $I_{CSN} = 2\text{ mA}$ | P_5.5.0.5 |

Logic Pins
Table 9 Electrical Characteristics: Logic Pins - Advanced (continued)

| Parameter | Symbol | Values | | | Unit | Note or Test Condition | Number |
|--|--------------------|--------------------------|------|----------|------|--|------------|
| | | Min. | Typ. | Max. | | | |
| Digital Input Clamping Voltage of Pin SCLK | $V_{SCLK(CLAMP1)}$ | – | 7 | – | V | ²⁾ $I_{SCLK} = 1 \text{ mA}$ | P_5.5.0.6 |
| Digital Input Clamping Voltage of Pin SCLK | $V_{SCLK(CLAMP2)}$ | 6.5 | 7.5 | 8.5 | V | $I_{SCLK} = 2 \text{ mA}$ | P_5.5.0.7 |
| Digital Input Clamping Voltage of Pin SI | $V_{SI(CLAMP1)}$ | – | 7 | – | V | ²⁾ $I_{SI} = 1 \text{ mA}$ | P_5.5.0.8 |
| Digital Input Clamping Voltage of Pin SI | $V_{SI(CLAMP2)}$ | 6.5 | 7.5 | 8.5 | V | $I_{SI} = 2 \text{ mA}$ | P_5.5.0.9 |
| Digital Input Hysteresis of Pin CSN | $V_{CSN(HYS)}$ | – | 0.25 | – | V | ²⁾ See Figure 12 | P_5.5.0.11 |
| Digital Input Hysteresis of Pin SCLK | $V_{SCLK(HYS)}$ | – | 0.25 | – | V | ²⁾ See Figure 12 | P_5.5.0.13 |
| Digital Input Hysteresis of Pin SI | $V_{SI(HYS)}$ | – | 0.25 | – | V | ²⁾ See Figure 12 | P_5.5.0.15 |
| Digital Input Current (“low”) of Pin CSN | $-I_{CSN(L)}$ | 2 | 10 | 25 | μA | $V_{CSN} = 0.5 \text{ V}$ | P_5.5.0.10 |
| Digital Input Current (“high”) of Pin CSN | $-I_{CSN(H)}$ | 2 | 10 | 25 | μA | $V_{CSN} = 2.6 \text{ V}$ | P_5.5.0.12 |
| Digital Input Current (“low”) of Pin SCLK | $I_{SCLK(L)}$ | 2 | 10 | 25 | μA | $V_{SCLK} = 0.5 \text{ V}$ | P_5.5.0.14 |
| Digital Input Current (“high”) of Pin SCLK | $I_{SCLK(H)}$ | 2 | 10 | 25 | μA | $V_{SCLK} = 2.6 \text{ V}$ | P_5.5.0.16 |
| Digital Input Current (“low”) of Pin SI | $I_{SI(L)}$ | 2 | 10 | 25 | μA | $V_{SI} = 0.5 \text{ V}$ | P_5.5.0.18 |
| Digital Input Current (“high”) of Pin SI | $I_{SI(H)}$ | 2 | 10 | 25 | μA | $V_{SI} = 2.6 \text{ V}$ | P_5.5.0.20 |
| Digital Output Voltage (“low”) of Pin SO | $V_{SO(L)}$ | 0 | – | 0.5 | V | $I_{SO} = -0.5 \text{ mA}$ | P_5.5.0.22 |
| Digital Output Voltage (“high”) of Pin SO | $V_{SO(H)}$ | $V_{DD} - 0.5 \text{ V}$ | – | V_{DD} | V | $I_{SO} = 0.5 \text{ mA}$ | P_5.5.0.23 |
| Output Tristate Leakage Current of Pin SO | $I_{SO(OFF)}$ | -1 | – | 1 | μA | $V_{CSN} = V_{DD}$ $V_{SO} = 0 \text{ V}$ or $V_{CSN} = V_{DD}$ $V_{SO} = V_{DD}$ | P_5.5.0.24 |
| LHI pin | | | | | | | |
| Digital Input Voltage Threshold of Pin LHI | $V_{LHI(TH)}$ | 1.4 | 1.9 | 2.6 | V | – | P_5.5.0.25 |
| Digital Input Clamping Voltage of Pin LHI | $V_{LHI(CLAMP1)}$ | – | 7 | – | V | ²⁾ $I_{LHI} = 1 \text{ mA}$ | P_5.5.0.27 |
| Digital Input Clamping Voltage of Pin LHI | $V_{LHI(CLAMP2)}$ | 6.5 | 7.5 | 8.5 | V | $I_{LHI} = 2 \text{ mA}$ | P_5.5.0.28 |

Logic Pins

Table 9 Electrical Characteristics: Logic Pins - Advanced (continued)

| Parameter | Symbol | Values | | | Unit | Note or Test Condition | Number |
|---|----------------|--------|------|------|------|---|------------|
| | | Min. | Typ. | Max. | | | |
| Digital Input Hysteresis of Pin LHI | $V_{LHI(HYS)}$ | – | 0.25 | – | V | 2) | P_5.5.0.29 |
| Digital Input Current (“high”) of Pin LHI | $I_{LHI(H)}$ | 10 | 32 | 65 | μA | $V_{LHI} = 5\text{ V}$ $V_{DD} = 0\text{ V}$ | P_5.5.0.30 |
| Digital Input Current (“low”) of Pin LHI | $I_{LHI(L)}$ | 10 | 24 | 45 | μA | $V_{LHI} = 0.8\text{ V}$ $V_{DD} = 0\text{ V}$ | P_5.5.0.32 |

1) Functional test only.

2) Not subject to production test - specified by design.

Power Supply

6 Power Supply

The BTS72220-4ESA is supplied by two supply voltages:

- Power Supply Voltage (V_S)
- Digital Supply Voltage (V_{DD})

The V_S supply line is connected to a battery feed and used for the driving circuitry of the power stages, while V_{DD} is used for the SPI logic and for driving SO pin. V_S and V_{DD} supply voltages have an undervoltage detection circuit, which prevents the activation of the associated function in case the measured voltage is below the undervoltage threshold. More in detail:

- An undervoltage on V_{DD} supply prevents SPI communication. SPI registers are reset to their default values
- An undervoltage on V_S supply switches OFF all channels, even in Limp Home mode. The channels are enabled again as soon as $V_S \geq V_{S(OP)}$

The voltage at pin V_S is also monitored. In case of a negative voltage transient on V_S resulting in $V_S < V_{S(TP)}$ when the device is out of Sleep mode, any SPI command sent by the microcontroller is not accepted (see [Chapter 6.2](#) and [Chapter 10.5](#) for further information). An overview of channel behavior according to different V_S and V_{DD} supply voltages is shown in [Table 10](#).

Table 10 Device capability as function of V_S and V_{DD} ¹⁾

| | $V_{DD} \leq V_{DD(PO)}$ ($V_{DD(PO)}$ see P_6.4.1.1) | $V_{DD} > V_{DD(PO)}$ |
|--|---|--|
| $V_S \leq V_{S(TP)}$ ($V_{S(TP)}$ see P_6.4.0.5) | Channels are OFF | Channels are OFF |
| | SPI registers reset | SPI registers protected |
| | SPI communication not available ($f_{SCLK} = 0$ MHz) | SPI communication available ²⁾ ($f_{SCLK} = 5$ MHz) |
| | Limp Home mode not available | Limp Home mode not available |
| $V_{S(TP)} < V_S \leq V_{S(UV)}$ ($V_{S(UV)}$ see P_6.4.0.1) | Channels are OFF | Channels are OFF |
| | SPI registers reset | SPI registers available |
| | SPI communication not available ($f_{SCLK} = 0$ MHz) | SPI communication available ($f_{SCLK} = 5$ MHz) |
| | Limp Home mode available (channels are OFF) | Limp Home mode available (channels are OFF) |
| $V_S > V_{S(UV)}$ ³⁾ | Channels cannot be controlled ³⁾ by SPI | Channels can be controlled by SPI |
| | SPI registers reset | SPI registers available |
| | SPI communication not available ($f_{SCLK} = 0$ MHz) | SPI communication available ($f_{SCLK} = 5$ MHz) |
| | Limp Home mode available | Limp Home mode available |

1) Valid after a successful supply voltage ramp-up.

2) Write commands are ignored. Furthermore the device responds with **STDDIAG** only.

3) The undervoltage condition on VS supply must be considered. See [Chapter 6.2](#).

Power Supply

6.1 Operation Modes

BTS72220-4ESA has the following operation modes:

- Sleep mode
- Active mode
- Stand-by mode
- Ready mode
- Limp Home mode
- Limp Home Active mode

The transition between operation modes is determined according to these variables:

- Digital supply level (V_{DD})
- Logic level at INn pins
- Logic level at LHI pin
- Current sense multiplexer state (**DCR.MUX**)
- Output register state (**OUT.OUTn**)
- Configuration registers state

The state diagram including the possible transitions is shown in **Figure 14**. The behavior of BTS72220-4ESA as well as some parameters may change in dependence from the operation mode of the device. Furthermore, due to the undervoltage detection circuitry which monitors V_S supply voltage, some changes within the same operation mode can be seen accordingly.

There are five parameters describing each operation mode of BTS72220-4ESA:

- Status of the output channels
- Status of SPI registers
- Status of SPI communication
- Current consumption at VS pin (measured by I_{VS} in Sleep mode, I_{GND} in all other operative modes)
- Current consumption at VDD pin (I_{VDD})

Table 11 shows the correlation between operation modes, V_S and V_{DD} supply voltages, and the state of the most important functions (channel status, SPI communication and SPI registers).

Power Supply

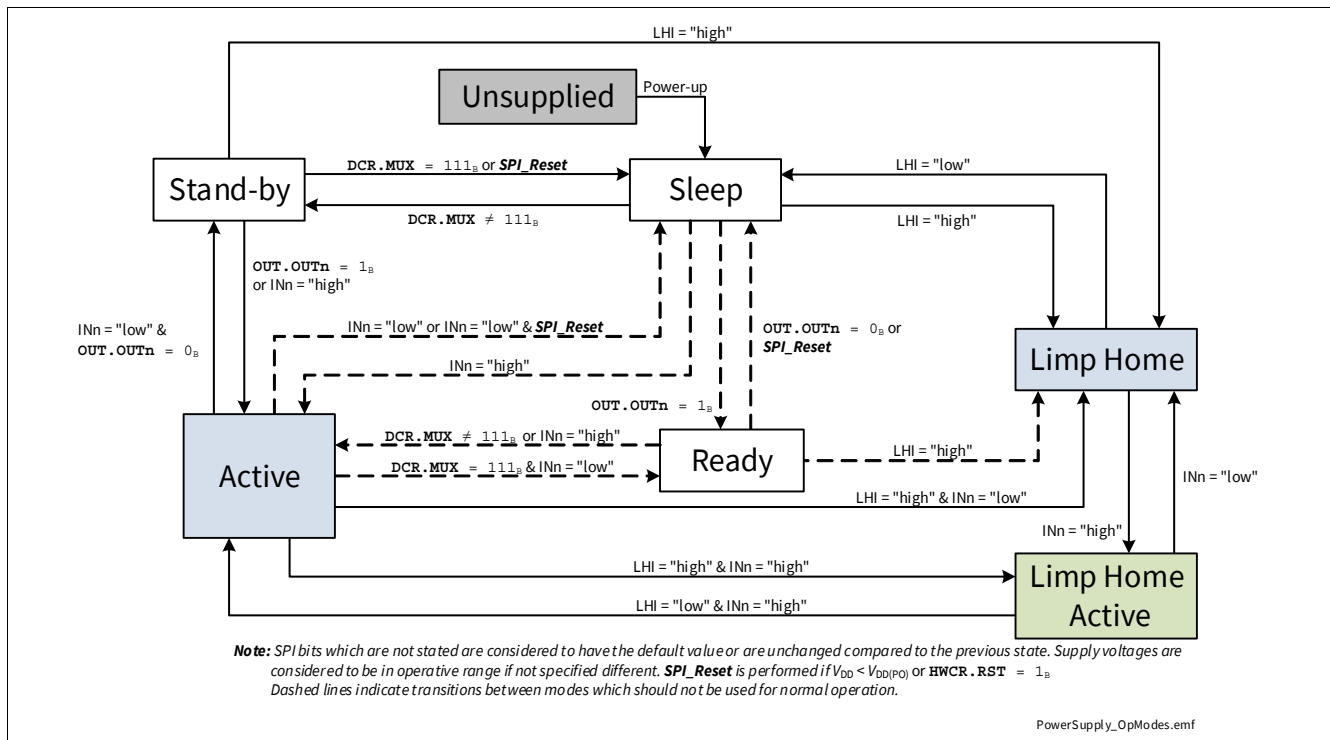


Figure 14 Operation Mode state diagram

Table 11 Device function in relation to operation modes, V_{DD} and V_S voltages

| Operative Mode | Function | $V_S \leq V_{S(TP)}$ | $V_{S(TP)} \leq V_S \leq V_{S(UV)}$ | $V_S > V_{S(UV)}$ |
|------------------------------|---------------|---------------------------------------|---|---|
| Sleep | Channels | OFF | OFF | OFF |
| | SPI registers | available ¹⁾ | available ¹⁾ | available ¹⁾ |
| | SPI comm. | available ¹⁾ | available ¹⁾ | available ¹⁾ |
| Stand-by | Channels | OFF | OFF | OFF |
| | SPI registers | protected ¹⁾ | available ¹⁾ | available ¹⁾ |
| | SPI comm. | all commands rejected ¹⁾ | available ¹⁾ | available ¹⁾ |
| Ready | Channels | OFF | OFF | OFF |
| | SPI registers | protected ¹⁾ | available ¹⁾ | available ¹⁾ |
| | SPI comm. | all commands rejected ¹⁾ | available ¹⁾ | available ¹⁾ |
| Active | Channels | OFF | OFF | follow SPI and/or Input pins |
| | SPI registers | protected ¹⁾ | available ¹⁾ | available ¹⁾ |
| | SPI comm. | all commands rejected ¹⁾ | available ¹⁾ | available ¹⁾ |
| Limp Home / Limp Home Active | Channels | OFF | OFF | follow Input pins |
| | SPI registers | protected ¹⁾ | reset (Diagnosis available) ¹⁾ | reset (Diagnosis available) ¹⁾ |
| | SPI comm. | all commands rejected ¹⁾²⁾ | read-only ¹⁾ | read-only ¹⁾ |

1) In case $V_{DD} > V_{DD(PO)}$ otherwise not available or in reset.

2) In case all input pins are set to "low", SPI communication is in read-only mode.

Power Supply

6.1.1 Unsupplied

In this state, the device is either unsupplied (no voltage applied to VS pin and VDD pin) or the supply voltages are both below the corresponding undervoltage threshold.

6.1.2 Power-up

The Power-up condition is entered when one of the supply voltages (V_S or V_{DD}) is applied to the device. Both supplies are rising until they are above the undervoltage thresholds $V_{S(OP)}$ and $V_{DD(PO)}$ therefore the internal Power-On signals are set. The SPI interface can be accessed after wake up time $t_{WU(PO)}$.

6.1.3 Sleep mode

The device is in Sleep mode when all Digital Input pins (INn, LHI) are set to “low” and **DCR.MUX** is still set to 111_B . When BTS72220-4ESA is in Sleep mode, all outputs are OFF. The SPI registers can be programmed if $V_{DD} > V_{DD(PO)}$. The current consumption is minimum (see parameter $I_{VS(SLEEP)}$). No Overtemperature or Overload protection mechanism is active when the device is in Sleep mode. The circuitry that monitors V_S versus $V_{S(UV)}$ and V_S versus $V_{S(TP)}$ is disabled. This allows the programming of the registers even if $V_S < V_{S(TP)}$.

6.1.4 Stand-by mode

The device is in Stand-by mode when **DCR.MUX** $\neq 111_B$ and no command to switch ON a channel was received (either via SPI or via Input pins). All channels are OFF but the internal supply circuitry is working and therefore the device current consumption is increased. A command to switch ON one or more outputs is accepted and executed, bringing the device into Active mode. SPI communication is possible.

6.1.5 Ready mode

In Ready mode, one or more outputs received a command to switch ON (either via SPI or via Input pins if **HWCR.COL** = 1_B). Nevertheless, all outputs are OFF because of **DCR.MUX** bits still set to 111_B . It is necessary to change the value of those bits to bring the device into Active mode and switch ON the channels.

Note: Since **OUT** register is blanked with **DCR.MUX** = 111_B it is not possible to enter Active mode when **HWCR.COL** bit is set to 1_B .

6.1.6 Active mode

Active mode is the normal operation mode of BTS72220-4ESA when no Limp Home condition is set and one or more outputs are switched ON. Device current consumption is specified by parameter $I_{GND(ACTIVE)}$. An undervoltage condition on V_{DD} supply voltage brings the device into Sleep mode in case all Input pins are set to “low”.

6.1.7 Limp Home mode

The device enters Limp Home mode when LHI pin is set to “high” for $t > t_{LHI(AC)}$. SPI registers are reset to the default values when Limp Home mode is entered. The corresponding bit in the standard diagnosis (**STDDIAG.LHI**) will be set to 1_B once the LHI pin is set to “high” and latched until next **STDDIAG** transmission. See **Figure 15** for further information. SPI registers are available for read access. ERRDIAG, STDDIAG, WRNDIAG and ICS can be used for diagnosis in Limp Home.

When the device is in transient protection ($V_S \leq V_{S(TP)}$) and the LHI pin is set to "high", the **STDDIAG.LHI** bit will be set but the device will not change its state to Limp Home mode. Furthermore **STDDIAG.VSMON** and **STDDIAG.TER** bits will be set to report the battery transient protection.

Power Supply

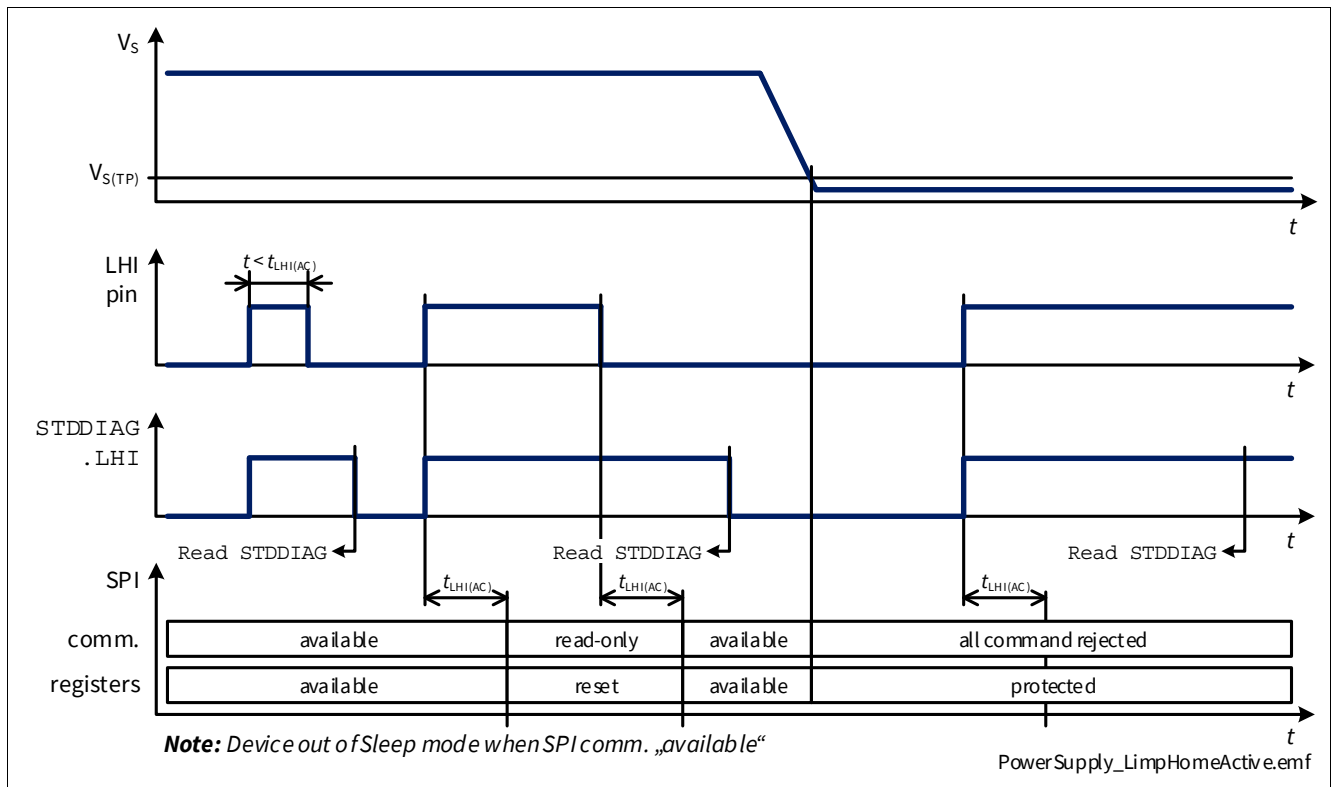


Figure 15 Limp Home Activation as function of V_s

6.1.8 Limp Home Active mode

Limp Home Active mode is entered when the device is in Limp Home mode and one of the IN pins is set to “high”. Overload, Overtemperature and Overvoltage protections are active. Since SPI registers cannot be written current sensing is not available.

6.1.9 Definition of Operation modes transition times

The channel turn-ON time is as defined by parameter t_{ON} when BTS72220-4ESA is in Active mode or in Limp Home mode. In all other cases, it is necessary to add the transition time required to reach one of the two aforementioned operation modes (as shown in **Figure 16**).

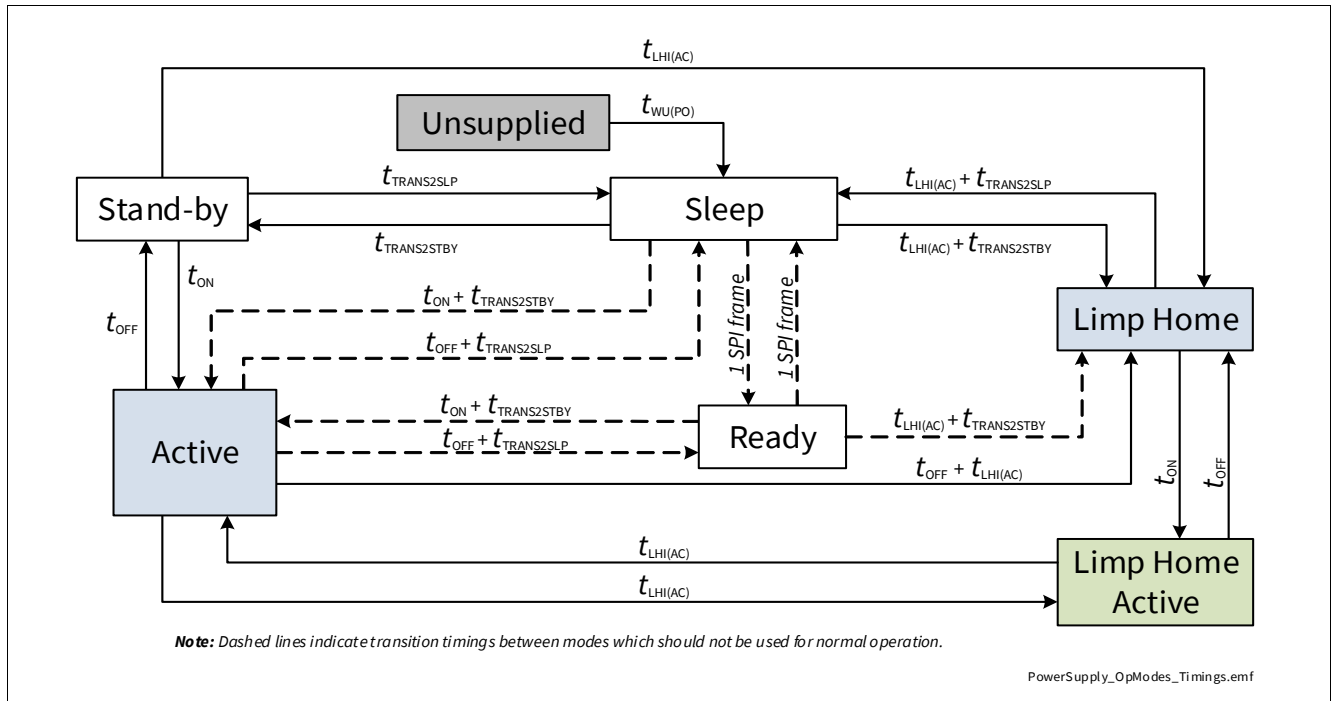


Figure 16 Transition Time diagram

6.2 Undervoltage on V_S

Between $V_{S(OP)}$ and $V_{S(UV)}$ the undervoltage mechanism is triggered. If the device is operative (in Active or Limp Home Active mode) and the supply voltage drops below the undervoltage threshold $V_{S(UV)}$, the internal logic switches OFF the output channels. When the device is either in Stand-by, Active or Limp Home mode the bit **STDDIAG.VSMON** is set and latched until readout. When the state is changed from Sleep to any other state, a delay of $t \geq t_{TRANS2STBY}$ has to be considered until **STDDIAG.VSMON** is valid.

As soon as the supply voltage V_S is above the operative threshold $V_{S(OP)}$, the channels having the corresponding input pin set to “high” or the bit in the **OUT** register set to 1_b are switched ON again. The restart is delayed with a time $t_{DELAY(UV)}$ which protects the device in case the undervoltage condition is caused by a short circuit event (according to AEC-Q100-012), as shown in **Figure 17**.

Power Supply

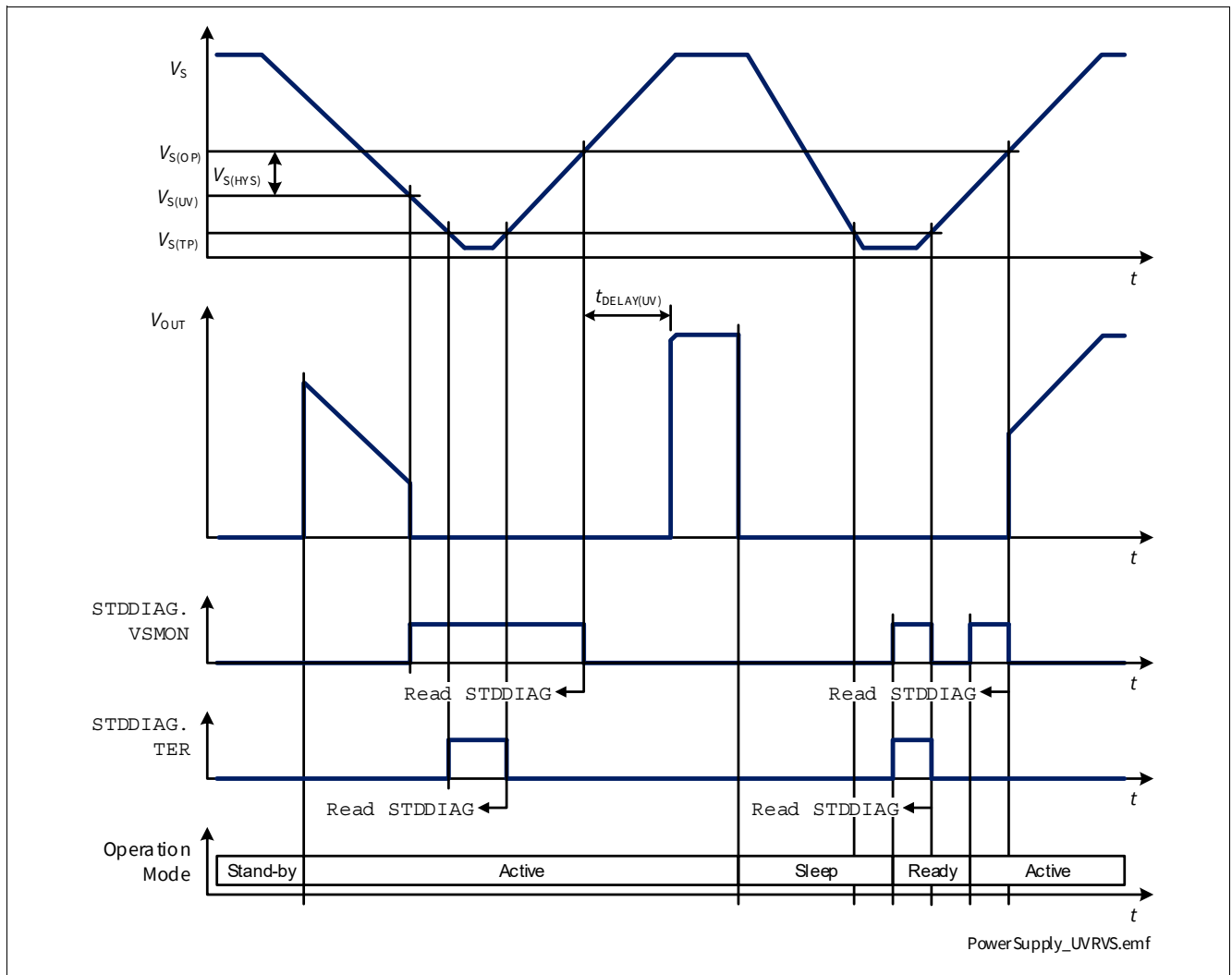


Figure 17 V_S undervoltage behavior

6.3 Reset Condition

One of the following conditions reset the SPI registers to their default value:

- V_{DD} is not present or below the undervoltage threshold $V_{DD(P0)}$
 - SPI registers will be reset to their default values (in the first communication after reset the **STDDIAG.TER** will be set to 1_B).
 - Restart counters will not be reset if V_S is available or LHI is "high".
- LHI pin is set to "high" for $t > t_{LHI(AC)}$ and $V_S > V_{S(TP)}$
 - Configuration registers will be reset to their default values. **ERRDIAG** and **WRNDIAG** will be reset.
 - Restart counters will be reset.
- Reset command (**HWCR.RST** = 1_B) is executed and $V_S > V_{S(TP)}$
 - Configuration registers will be reset to their default values. **ERRDIAG**, **WRNDIAG** and **STDDIAG** will not be reset.
 - Restart counters will not be reset.

In case all Input pins are set to "low" after any reset condition, all channels are switched OFF.

Power Supply

6.4 Electrical Characteristics Power Supply

$V_{DD} = 3.0\text{ V to }5.5\text{ V}$, $V_S = 6\text{ V to }18\text{ V}$, $T_J = -40\text{ °C to }+150\text{ °C}$

Typical values: $V_{DD} = 5.0\text{ V}$, $V_S = 13.5\text{ V}$, $T_J = 25\text{ °C}$

Typical resistive loads connected to the outputs for testing (unless otherwise specified):

5.5 mΩ: $R_L = 2.4\text{ Ω}$

13.5 mΩ: $R_L = 3.4\text{ Ω}$

Table 12 Electrical Characteristics: Power Supply - General

| Parameter | Symbol | Values | | | Unit | Note or Test Condition | Number |
|--|-----------------|--------|------|------|------|---|------------|
| | | Min. | Typ. | Max. | | | |
| VS pin | | | | | | | |
| Power Supply Undervoltage Shutdown | $V_{S(UV)}$ | 1.8 | 2.3 | 3.1 | V | V_S decreasing IN = "high" or OUT . OUTn = 1 _B From $V_{DS} \leq 0.5\text{ V}$ to $V_{DS} = V_S$ See Figure 17 | P_6.4.0.1 |
| Power Supply Minimum Operating Voltage | $V_{S(OP)}$ | 2.0 | 3.0 | 4.1 | V | V_S increasing IN = "high" or OUT . OUTn = 1 _B From $V_{DS} = V_S$ to $V_{DS} \leq 0.5\text{ V}$ See Figure 17 | P_6.4.0.3 |
| Power Supply Voltage Threshold for Battery Transients Protection | $V_{S(TP)}$ | 0.6 | 1.0 | 1.8 | V | V_S decreasing STDDIAG . VSMON = 1 _B STDDIAG . TER = 1 _B DCR . MUX ≠ 111 _B See Figure 17 | P_6.4.0.5 |
| Power Supply Undervoltage Shutdown Hysteresis | $V_{S(HYS)}$ | – | 0.7 | – | V | ¹⁾ $V_{S(OP)} - V_{S(UV)}$ See Figure 17 | P_6.4.0.6 |
| Power Supply Undervoltage Recovery Time | $t_{DELAY(UV)}$ | 2.5 | 4 | 5.5 | ms | ¹⁾ $dV_S/dt \leq 0.5\text{ V}/\mu\text{s}$ $V_S \geq 0\text{ V}$ See Figure 17 | P_6.4.0.10 |
| Breakdown Voltage between GND and VS Pins in Reverse Battery | $-V_{S(REV)}$ | 16 | – | 30 | V | ¹⁾ $I_{GND(REV)} = 14\text{ mA}$ $T_J = 150\text{ °C}$ | P_6.4.0.9 |

1) Not subject to production test - specified by design.

Power Supply

6.4.1 Electrical Characteristics Power Supply - SPOC™

Table 13 Electrical Characteristics: Power Supply - SPOC™

| Parameter | Symbol | Values | | | Unit | Note or Test Condition | Number |
|---|------------------|--------|------|------|------|---|------------|
| | | Min. | Typ. | Max. | | | |
| VDD pin | | | | | | | |
| Digital Supply Operating Voltage | $V_{DD(OP)}$ | 2.45 | 4.3 | 5.5 | V | ¹⁾ $f_{SCLK} = 5 \text{ MHz}$ | P_6.4.1.1 |
| Digital Supply Power-On Reset Threshold Voltage | $V_{DD(PO)}$ | 1.4 | 1.9 | 2.3 | V | ¹⁾ V_{DD} increasing | P_6.4.1.9 |
| Digital Supply Undervoltage Shutdown | $V_{DD(UV)}$ | 1.3 | 1.8 | 2.2 | V | V_{DD} decreasing OUT . OUTn = 1 _B From $V_{DS} \leq 0.5 \text{ V}$ to $V_{DS} = V_S$ | P_6.4.1.2 |
| Digital Supply Undervoltage Shutdown Hysteresis | $V_{DD(HYS)}$ | – | 0.1 | – | V | ¹⁾ | P_6.4.1.3 |
| Digital Supply Clamping Voltage | $V_{DD(CLAMP1)}$ | – | 6.5 | – | V | ¹⁾ $I_{DD} = 1 \text{ mA}$ | P_6.4.1.11 |
| Digital Supply Clamping Voltage | $V_{DD(CLAMP2)}$ | 6 | 7 | 8 | V | $I_{DD} = 20 \text{ mA}$ | P_6.4.1.12 |
| Power-On Wake Up Time | $t_{WU(PO)}$ | – | 10 | 30 | μs | ¹⁾ | P_6.4.1.13 |
| Transition Time to Stand-by Mode | $t_{TRANS2STBY}$ | 5 | 10 | 30 | μs | ¹⁾ | P_6.4.1.4 |
| Transition Time to Sleep Mode | $t_{TRANS2SLP}$ | 1 | 5 | 60 | μs | ¹⁾²⁾ | P_6.4.1.5 |
| Limp Home Acknowledgement Time | $t_{LHI(AC)}$ | 10 | 20 | 40 | μs | ¹⁾ | P_6.4.1.6 |

1) Not subject to production test - specified by design.

2) If output channel enters inductive clamping, clamping time has to be added.

Power Supply

6.5 Electrical Characteristics Power Supply - Product Specific

$V_{DD} = 3.0\text{ V to }5.5\text{ V}$, $V_S = 6\text{ V to }18\text{ V}$, $T_J = -40\text{ °C to }+150\text{ °C}$

Typical values: $V_{DD} = 5.0\text{ V}$, $V_S = 13.5\text{ V}$, $T_J = 25\text{ °C}$

Typical resistive loads connected to the outputs for testing (unless otherwise specified):

5.5 mΩ: $R_L = 2.4\text{ }\Omega$

13.5 mΩ: $R_L = 3.4\text{ }\Omega$

6.5.1 BTS72220-4ESA

Table 14 Electrical Characteristics: Power Supply BTS72220-4ESA

| Parameter | Symbol | Values | | | Unit | Note or Test Condition | Number |
|--|---------------------|--------|------|------|------|---|-------------|
| | | Min. | Typ. | Max. | | | |
| Digital Supply Current Consumption in Normal Operation | I_{DD} | – | 80 | 200 | μA | $f_{SCLK} = 0\text{ MHz}$ $V_S > V_{S(UV)}$ $V_{CSN} = V_{DD} = 5\text{ V}$ DCR . MUX ≠ 111 _B | P_6.5.30.1 |
| Digital Supply Current Consumption in Normal Operation during SPI Traffic (Average) | $I_{DD(ACTIVE)}$ | – | 2.5 | – | mA | ¹⁾²⁾ $f_{SCLK} = 5\text{ MHz}$ $V_S > V_{S(UV)}$ $V_{DD} = 5\text{ V}$ $V_{CSN} = 0\text{ V}$ $C_{L(SO)} = 50\text{ pF}$ DCR . MUX ≠ 111 _B | P_6.5.30.2 |
| Digital Supply Current Consumption in Sleep Mode | $I_{DD(SLEEP)}$ | – | 17 | 50 | μA | $f_{SCLK} = 0\text{ MHz}$ $V_S > V_{S(UV)}$ $V_{CSN} = V_{DD} = 5\text{ V}$ DCR . MUX = 111 _B | P_6.5.30.3 |
| Digital Supply Current Consumption in Sleep Mode | $I_{DD(SLEEP)}$ | – | 17 | 35 | μA | $f_{SCLK} = 0\text{ MHz}$ $V_S > V_{S(UV)}$ $V_{CSN} = V_{DD} = 5\text{ V}$ DCR . MUX = 111 _B $T_J \leq 85\text{ °C}$ | P_6.5.30.12 |
| Power Supply Current Consumption in Sleep Mode with Loads at $T_J \leq 85\text{ °C}$ | $I_{VS(SLEEP)_85}$ | – | 0.05 | 1.3 | μA | ²⁾³⁾ $V_S = 18\text{ V}$ $V_{OUT} = 0\text{ V}$ $INx = \text{“low”}$ $T_J \leq 85\text{ °C}$ | P_6.5.30.4 |
| Power Supply Current Consumption in Sleep Mode with Loads at $T_J = 150\text{ °C}$ | $I_{VS(SLEEP)_150}$ | – | 2 | 100 | μA | $V_S = 18\text{ V}$ $V_{OUT} = 0\text{ V}$ $INx = \text{“low”}$ $T_J = 150\text{ °C}$ | P_6.5.30.5 |
| Operating Current in Active Mode (all Channels ON) | $I_{GND(ACTIVE)}$ | – | 5 | 7 | mA | $V_S = 18\text{ V}$ $V_{DD} = 5\text{ V}$ $INx = \text{“high”}$ or OUT . OUTn = 1 _B | P_6.5.30.6 |

Power Supply

Table 14 Electrical Characteristics: Power Supply BTS72220-4ESA (continued)

| Parameter | Symbol | Values | | | Unit | Note or Test Condition | Number |
|------------------------------------|-------------------------|--------|------|------|------|---|------------|
| | | Min. | Typ. | Max. | | | |
| Operating Current in Ready Mode | $I_{\text{GND(READY)}}$ | – | 80 | 200 | μA | $V_S = 18\text{ V}$ $V_{\text{CSN}} = V_{\text{DD}} = 5\text{ V}$ $f_{\text{SCLK}} = 0\text{ MHz}$ DCR . MUX = 111 _B OUT . OUTn = 1 _B | P_6.5.30.8 |
| Operating Current in Stand-by Mode | $I_{\text{GND(STBY)}}$ | – | 1.25 | 2 | mA | $V_S = 18\text{ V}$ $V_{\text{DD}} = 5\text{ V}$ DCR . MUX ≠ 111 _B | P_6.5.30.9 |

- 1) Test pattern shifted-in on SI: 0101010101010101 and 1010101010101010.
- 2) Not subject to production test - specified by design.
- 3) If $V_{\text{DD}} < V_{\text{DD(PO)}}$, LHI = "low" and any restart counter > 0, $I_{\text{GND(STBY)}}$ has to be considered.

Power Stages

7 Power Stages

The high-side power stages are built using a N-channel vertical Power MOSFET with charge pump.

7.1 Output ON-State Resistance

The ON-state resistance $R_{DS(ON)}$ depends mainly on junction temperature T_J . **Figure 18** shows the variation of $R_{DS(ON)}$ across the whole T_J range. The value “2” on the y-axis corresponds to the maximum $R_{DS(ON)}$ measured at $T_J = 150\text{ °C}$.

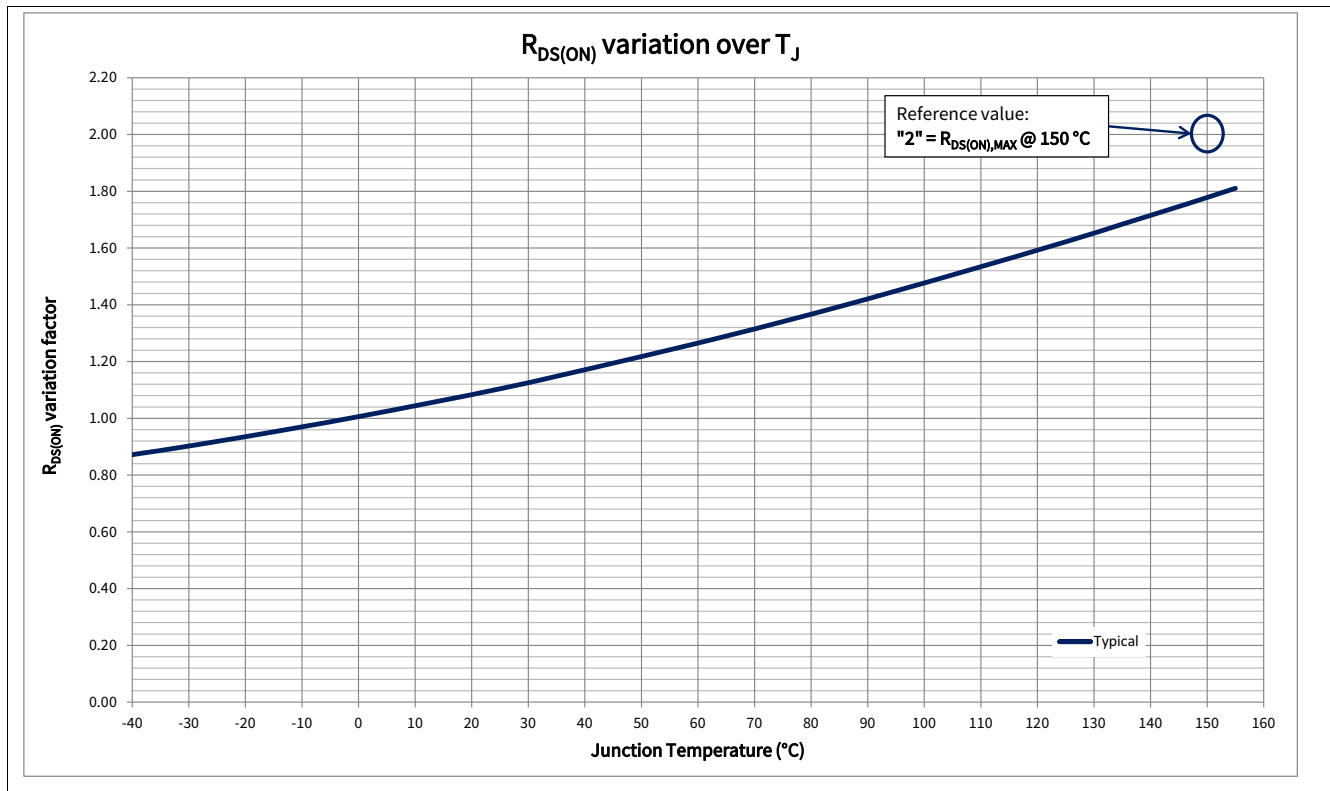


Figure 18 $R_{DS(ON)}$ variation factor

The behavior in Reverse Polarity is described in **Chapter 8.4.1**.

7.2 Switching loads

7.2.1 Switching Resistive Loads

When switching resistive loads, the switching times and slew rates shown in **Figure 19** can be considered. The switch energy values E_{ON} and E_{OFF} are proportional to load resistance and times t_{ON} and t_{OFF} .

Power Stages

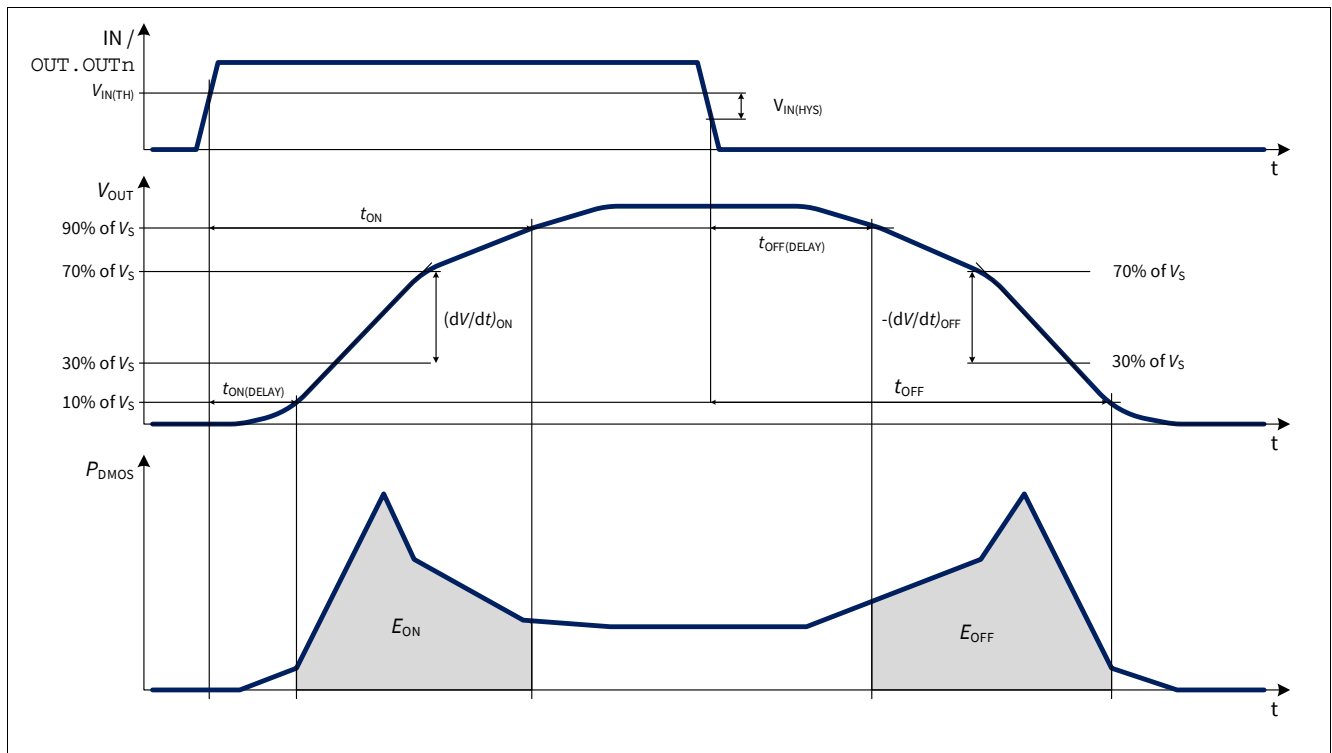


Figure 19 Switching a Resistive Load

7.2.2 Switching Inductive Loads

When switching OFF inductive loads with high-side switches, the voltage V_{OUT} drops below ground potential, because the inductance intends to continue driving the current. To prevent the destruction of the device due to overvoltage, a voltage clamp mechanism is implemented. The clamping structure limits the negative output voltage so that $V_{DS} = V_{DS(CLAMP)}$. Figure 20 shows a concept drawing of the implementation. The clamping structure protects the device in all operation modes listed in Chapter 6.1.

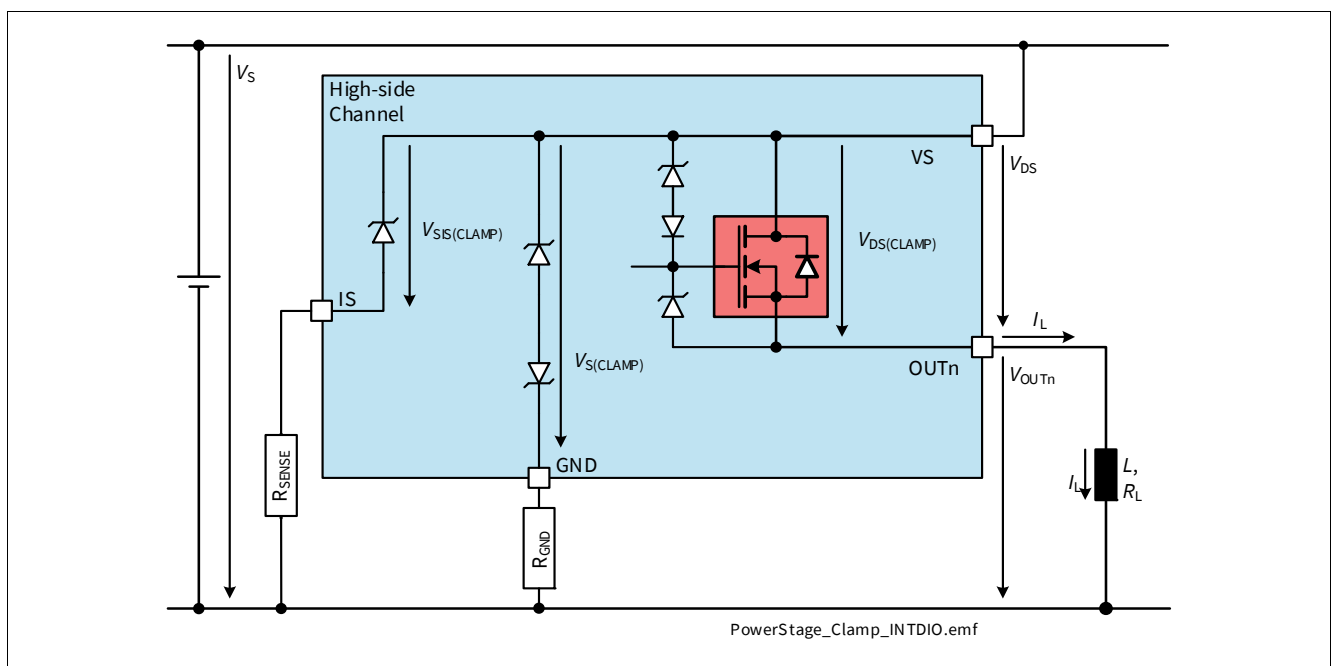


Figure 20 Output Clamp concept

Power Stages

During demagnetization of inductive loads, energy has to be dissipated in BTS72220-4ESA. The energy can be calculated with **Equation (7.1)**:

$$E = V_{DS(CLAMP)} \cdot \left[\frac{V_S - V_{DS(CLAMP)}}{R_L} \cdot \ln\left(1 - \frac{R_L \cdot I_L}{V_S - V_{DS(CLAMP)}}\right) + I_L \right] \cdot \frac{L}{R_L} \quad (7.1)$$

The maximum energy, therefore the maximum inductance for a given current, is limited by the thermal design of the component.

7.2.3 Output Voltage Limitation

To increase the current sense accuracy, V_{DS} voltage is monitored. When the output current I_L decreases while the channel is diagnosed (channel selected via **DCR.MUX** - see **Figure 21**) bringing V_{DS} equal or lower than $V_{DS(SLC)}$, the output DMOS gate is partially discharged. This increases the output resistance so that $V_{DS} = V_{DS(SLC)}$ even for very small output currents. The V_{DS} increase allows the current sensing circuitry to work more efficiently, providing better k_{ILIS} accuracy for output current in the low range.

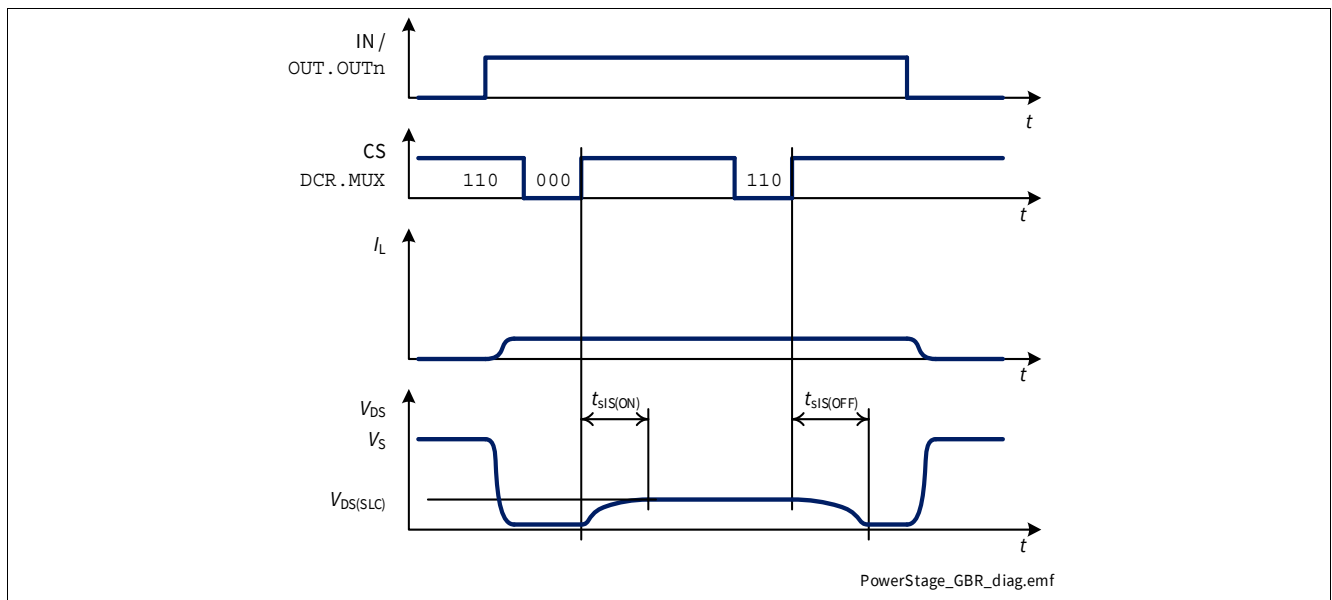


Figure 21 Output Voltage Limitation activation during diagnosis

7.2.4 Switching Capacitive Loads

When switching ON a capacitive load, the capacitance is causing a high inrush current. The current is depending on the value of the capacitance, the ESR, the impedance of the system and the slew rate of the driver. To improve the load driving capability, BTS72220-4ESA offers a slew rate control feature. When the slew rate bit **SRC.SRCn** is set, the slew rate of the respective channel is reduced to the half (see **Chapter 7.4.1**).

7.3 Advanced Switching Characteristics

7.3.1 Inverse Current behavior

When $V_{OUT} > V_S$, a current I_{INV} flows into the power output transistor (see **Figure 22**). This condition is known as “Inverse Current”.

If the channel is in OFF state, the current flows through the intrinsic body diode generating high power losses therefore an increase of overall device temperature. This may lead to a switch OFF of unaffected channels due to Overtemperature. If the channel is in ON state, $R_{DS(INV)}$ can be expected and power dissipation in the output stage is comparable to normal operation in $R_{DS(ON)}$.

During Inverse Current condition, the channel remains in ON or OFF state as long as $I_{INV} < I_{L(INV)}$.

With InverseON, it is possible to switch ON the channel during Inverse Current condition as long as $I_{INV} < I_{L(INV)}$ (see **Figure 23**).

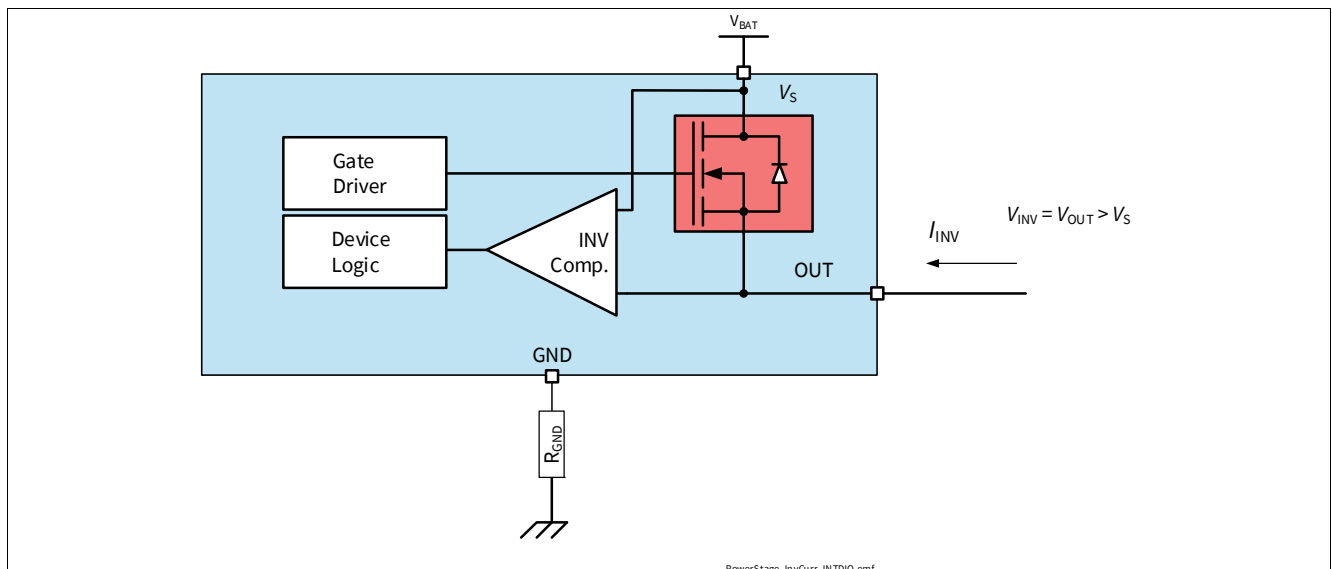


Figure 22 Inverse Current Circuitry

Power Stages

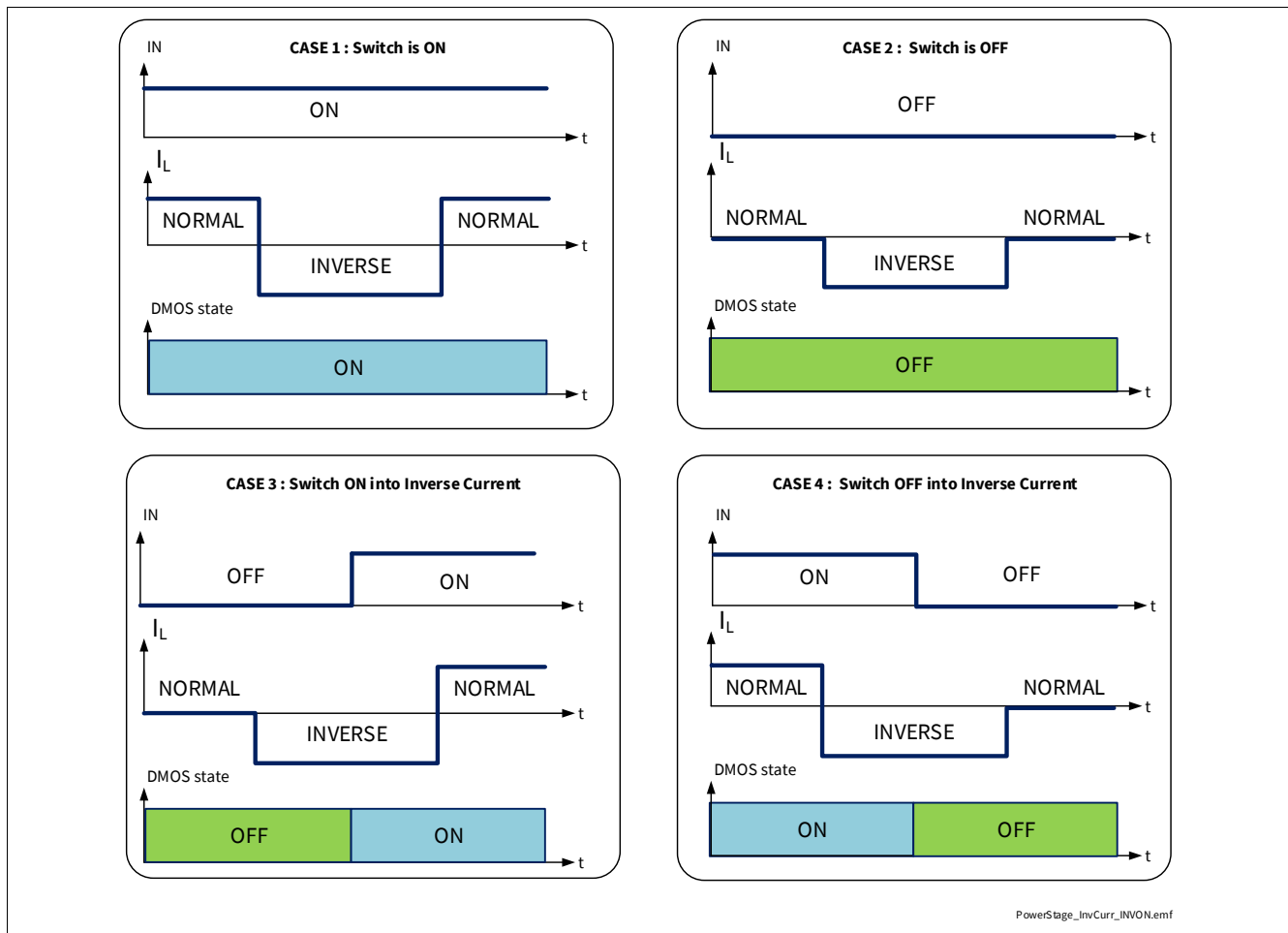


Figure 23 InverseON - Channel behavior in case of applied Inverse Current

Note: No protection mechanism like Overtemperature or Overload protection is active during applied Inverse Currents.

7.3.2 Switching Channels in Parallel

When switching channels in parallel to drive a single load it may happen that the two channels switch OFF asynchronously in case of a fault condition which brings additional stress to the channel that switches OFF last. In order to avoid this condition, it is possible to synchronize the protection of two channels when used in parallel. There are 2 bits in the SPI (**PCS . PCCn**), which allow to synchronize channels 0&3 and 1&2. When the corresponding **PCS . PCCn** bit is set, the switch-OFF and restart of the channels are synchronized and the current trip levels will be reduced to $I_{L(OVL3)}$. In case the current trip level for one channel is set to the low level (**OCR . OCTn** = 1_B), the current for both channels will be reduced to $I_{L(OVL2)}$. Since the restart counters of the channels in parallel are synchronized, both channels will latch-OFF as soon one counter has reached $n_{RESTART(CR)}$. Due to this reason it is recommended to clear counters before switching channels in parallel. In case the slew rate adjustment for one channels is used, (**SRC . SRCn** = 1_B), both channels operating in parallel mode will use the adjusted slew rate. When channels are switched in parallel (**PCS . PCCn** = 1_B), the Output Voltage Drop Limitation at Small Load Currents is disabled. Therefore the current sense ratio specifications at lower currents are not valid. See [Chapter 9.7](#) for further information. To improve current sense accuracy in parallel channel operation, parallel mode has to be deactivated (**PCS . PCCn** = 0_B). Since the current sense of the two channels used in parallel is not synchronized, the total current has to be calculated out of the current sense reading of each single channel. Unless otherwise specified parameter deviations are possible when parallel mode is activated.

Power Stages

When two channels are used in parallel, the total current capability $I_{L(NOM)}$ is doubled. It has to be ensured that the outputs used in parallel mode are connected together with a symmetric and low impedance connection either on the PCB or in the wire harness.

7.3.3 Cross Current robustness with H-Bridge configuration

When BTS72220-4ESA is used as high-side switch e.g. in a bridge configuration (therefore paired with a low-side switch as shown in **Figure 24**), the maximum slew rate applied to the output by the low-side switch must be lower than $|dV_{OUT} / dt|$. Otherwise the output stage may turn ON in linear mode (not in $R_{DS(ON)}$) while the low-side switch is commutating. This creates an unprotected overheating for the DMOS due to the cross-conduction current.

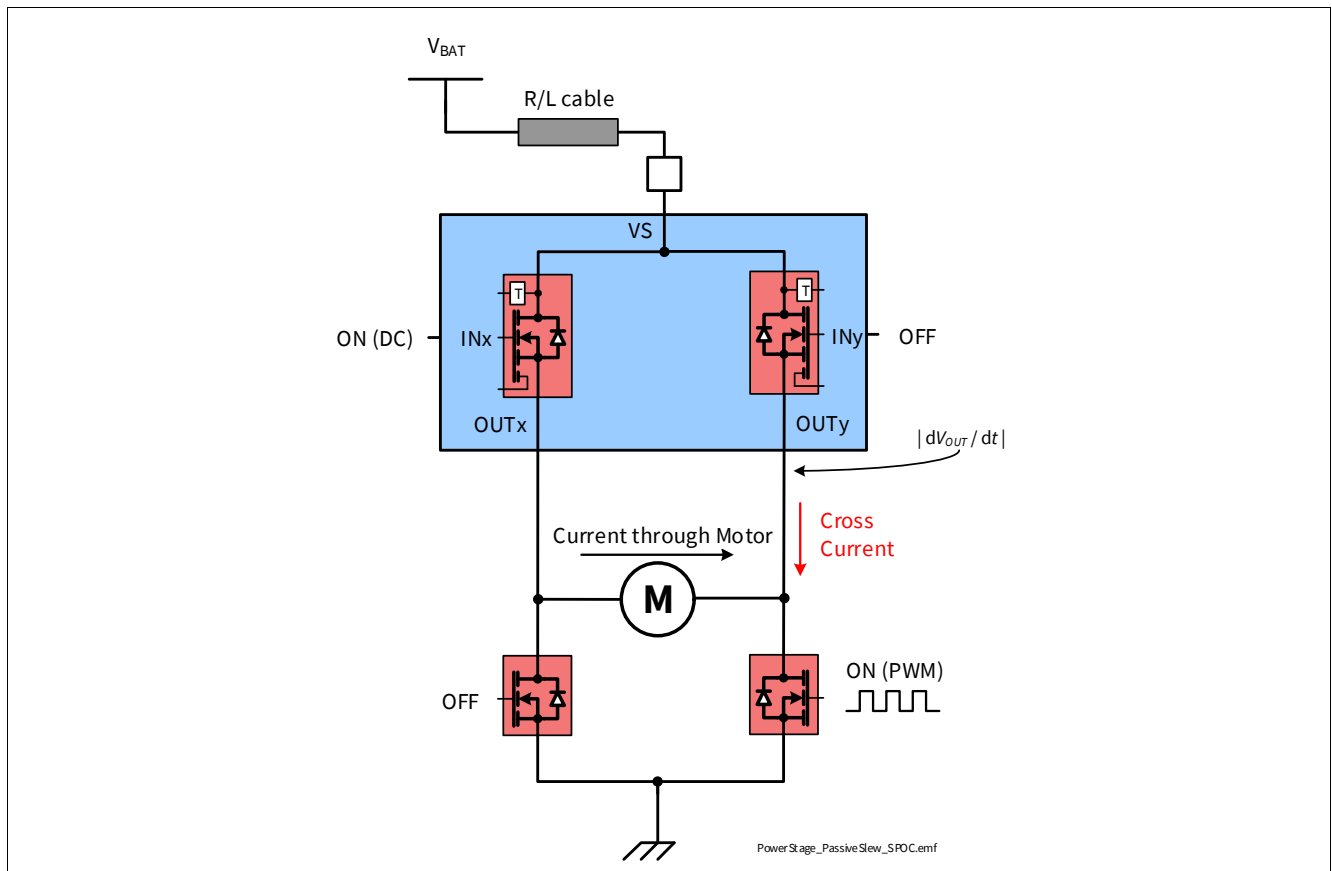


Figure 24 High-Side switch used in Bridge configuration

Power Stages

7.4 Electrical Characteristics Power Stages

$V_{DD} = 3.0\text{ V to }5.5\text{ V}$, $V_S = 6\text{ V to }18\text{ V}$, $T_J = -40\text{ °C to }+150\text{ °C}$

Typical values: $V_{DD} = 5.0\text{ V}$, $V_S = 13.5\text{ V}$, $T_J = 25\text{ °C}$

Typical resistive loads connected to the outputs for testing (unless otherwise specified):

5.5 mΩ: $R_L = 2.4\text{ Ω}$

13.5 mΩ: $R_L = 3.4\text{ Ω}$

Table 15 Electrical Characteristics: Power Stages - General

| Parameter | Symbol | Values | | | Unit | Note or Test Condition | Number |
|---|-----------------------|--------|------|------|------|--|-----------|
| | | Min. | Typ. | Max. | | | |
| Voltages | | | | | | | |
| Drain to Source Clamping Voltage at $T_J = -40\text{ °C}$ | $V_{DS(CLAMP)_{-40}}$ | 33 | 36.5 | 42 | V | $I_L = 5\text{ mA}$ $T_J = -40\text{ °C}$ See Figure 20 | P_7.4.0.1 |
| Drain to Source Clamping Voltage at $T_J \geq 25\text{ °C}$ | $V_{DS(CLAMP)_{25}}$ | 35 | 38 | 44 | V | ¹⁾ $I_L = 5\text{ mA}$ $T_J \geq 25\text{ °C}$ See Figure 20 | P_7.4.0.2 |

1) Tested at $T_J = 150\text{ °C}$.

7.4.1 Electrical Characteristics Power Stages - SPOC™

Table 16 Electrical Characteristics: Power Stages - SPOC™

| Parameter | Symbol | Values | | | Unit | Note or Test Condition | Number |
|---------------------------------|------------------|--------|------|------|------|--|------------|
| | | Min. | Typ. | Max. | | | |
| Timings | | | | | | | |
| Switch-ON Delay | $t_{ON(Delay)}$ | 10 | 30 | 60 | μs | $V_S = 13.5\text{ V}$ $V_{OUT} = 10\% V_S$ PCS . PCCn = 0 _B | P_7.4.2.1 |
| Switch-ON Delay (parallel mode) | $t_{ON(Delay)}$ | 10 | 40 | 80 | μs | ²⁾ $V_S = 13.5\text{ V}$ $V_{OUT} = 10\% V_S$ PCS . PCCn = 1 _B | P_7.4.2.16 |
| Switch-OFF Delay | $t_{OFF(Delay)}$ | 10 | 30 | 60 | μs | $V_S = 13.5\text{ V}$ $V_{OUT} = 90\% V_S$ | P_7.4.2.2 |
| Switch-ON Time | t_{ON} | 20 | 55 | 100 | μs | $V_S = 13.5\text{ V}$ $V_{OUT} = 90\% V_S$ SRC . SRCn = 0 _B PCS . PCCn = 0 _B | P_7.4.2.3 |
| Switch-ON Time (parallel mode) | t_{ON} | 20 | 70 | 125 | μs | ²⁾ $V_S = 13.5\text{ V}$ $V_{OUT} = 90\% V_S$ SRC . SRCn = 0 _B PCS . PCCn = 1 _B | P_7.4.2.20 |

Power Stages

Table 16 Electrical Characteristics: Power Stages - SPOC™ (continued)

| Parameter | Symbol | Values | | | Unit | Note or Test Condition | Number |
|--|-----------------|--------|------|------|---------------|---|-----------|
| | | Min. | Typ. | Max. | | | |
| Switch-ON Time | t_{ON} | 30 | 75 | 150 | μs | $V_S = 13.5\text{ V}$ $V_{OUT} = 90\% V_S$ SRC . SRCn = 1 _B | P_7.4.2.4 |
| Switch-OFF Time | t_{OFF} | 20 | 55 | 100 | μs | $V_S = 13.5\text{ V}$ $V_{OUT} = 10\% V_S$ SRC . SRCn = 0 _B | P_7.4.2.6 |
| Switch-OFF Time | t_{OFF} | 30 | 75 | 150 | μs | $V_S = 13.5\text{ V}$ $V_{OUT} = 10\% V_S$ SRC . SRCn = 1 _B | P_7.4.2.7 |
| Switch-ON/OFF Matching $t_{ON} - t_{OFF}$ | Δt_{SW} | -50 | 0 | 50 | μs | $V_S = 13.5\text{ V}$ PCS . PCCn = 0 _B | P_7.4.2.9 |

Voltage Slope

| | | | | | | | |
|----------------------|----------------------|-------|-----|------|------------------------|--|------------|
| Switch-ON Slew Rate | $(dV/dt)_{ON}$ | 0.3 | 0.6 | 0.9 | $\text{V}/\mu\text{s}$ | $V_S = 13.5\text{ V}$ $V_{OUT} = 30\% \text{ to } 70\%$ of V_S SRC . SRCn = 0 _B | P_7.4.2.11 |
| Switch-ON Slew Rate | $(dV/dt)_{ON}$ | 0.15 | 0.3 | 0.45 | $\text{V}/\mu\text{s}$ | $V_S = 13.5\text{ V}$ $V_{OUT} = 30\% \text{ to } 70\%$ of V_S SRC . SRCn = 1 _B | P_7.4.2.12 |
| Switch-OFF Slew Rate | $-(dV/dt)_{OFF}$ | 0.3 | 0.6 | 0.9 | $\text{V}/\mu\text{s}$ | $V_S = 13.5\text{ V}$ $V_{OUT} = 70\% \text{ to } 30\%$ of V_S SRC . SRCn = 0 _B | P_7.4.2.14 |
| Switch-OFF Slew Rate | $-(dV/dt)_{OFF}$ | 0.125 | 0.3 | 0.45 | $\text{V}/\mu\text{s}$ | $V_S = 13.5\text{ V}$ $V_{OUT} = 70\% \text{ to } 30\%$ of V_S SRC . SRCn = 1 _B | P_7.4.2.15 |
| Slew Rate Matching | $\Delta(dV/dt)_{SW}$ | -30 | 0 | 30 | % | 1) $V_S = 13.5\text{ V}$ | P_7.4.2.17 |

Voltages

| | | | | | | | |
|---|---------------|---|----|----|----|--|------------|
| Output Voltage Drop Limitation at Small Load Currents | $V_{DS(SLC)}$ | 2 | 10 | 18 | mV | 2) $I_L = I_{L(OL)} = 20\text{ mA}$ | P_7.4.2.18 |
|---|---------------|---|----|----|----|--|------------|

1) $\Delta(dV/dt)_{SW} = ((dV/dt)_{ON} - (dV/dt)_{OFF}) / (((dV/dt)_{ON} + (dV/dt)_{OFF}) / 2)$.

2) Not subject to production test - specified by design.

Power Stages

7.5 Electrical Characteristics - Power Output Stages

$V_{DD} = 3.0\text{ V to }5.5\text{ V}$, $V_S = 6\text{ V to }18\text{ V}$, $T_J = -40\text{ °C to }+150\text{ °C}$

Typical values: $V_{DD} = 5.0\text{ V}$, $V_S = 13.5\text{ V}$, $T_J = 25\text{ °C}$

Typical resistive loads connected to the outputs for testing (unless otherwise specified):

5.5 mΩ: $R_L = 2.4\text{ Ω}$

13.5 mΩ: $R_L = 3.4\text{ Ω}$

7.5.1 Power Output Stage - 5.5 mΩ

Table 17 Electrical Characteristics: Power Stages - 5.5 mΩ

| Parameter | Symbol | Values | | | Unit | Note or Test Condition | Number |
|--|--------------------|--------|------|------|------|--|------------|
| | | Min. | Typ. | Max. | | | |
| Output characteristics | | | | | | | |
| ON-State Resistance at $T_J = 25\text{ °C}$ | $R_{DS(ON)_25}$ | – | 5.5 | – | mΩ | ¹⁾ $T_J = 25\text{ °C}$ | P_7.5.13.1 |
| ON-State Resistance at $T_J = 150\text{ °C}$ | $R_{DS(ON)_150}$ | – | – | 9 | mΩ | $T_J = 150\text{ °C}$ | P_7.5.13.2 |
| ON-State Resistance in Cranking | $R_{DS(ON)_CRANK}$ | – | – | 11.5 | mΩ | $T_J = 150\text{ °C}$ $V_S = 3.1\text{ V}$ | P_7.5.13.3 |
| ON-State Resistance in Inverse Current at $T_J = 25\text{ °C}$ | $R_{DS(INV)_25}$ | – | 5.5 | – | mΩ | ¹⁾ $T_J = 25\text{ °C}$ $I_L = -I_{L(NOM)}$ | P_7.5.13.4 |
| ON-State Resistance in Inverse Current at $T_J = 150\text{ °C}$ | $R_{DS(INV)_150}$ | – | – | 11.5 | mΩ | ¹⁾ $T_J = 150\text{ °C}$ $I_L = -I_{L(NOM)}$ | P_7.5.13.5 |
| ON-State Resistance in Reverse Polarity at $T_J = 25\text{ °C}$ | $R_{DS(REV)_25}$ | – | 11 | – | mΩ | ¹⁾ $T_J = 25\text{ °C}$ $V_S = -13.5\text{ V}$ $I_L = -I_{L(NOM)}$ $R_{SENSE} = 1.2\text{ kΩ}$ | P_7.5.13.6 |
| ON-State Resistance in Reverse Polarity at $T_J = 150\text{ °C}$ | $R_{DS(REV)_150}$ | – | – | 18 | mΩ | ¹⁾ $T_J = 150\text{ °C}$ $V_S = -13.5\text{ V}$ $I_L = -I_{L(NOM)}$ $R_{SENSE} = 1.2\text{ kΩ}$ | P_7.5.13.7 |
| Nominal Load Current per Channel (all Channels Active) | $I_{L(NOM)}$ | – | 7 | – | A | ¹⁾ $T_A = 85\text{ °C}$ $T_J \leq 150\text{ °C}$ | P_7.5.13.8 |
| Output Leakage Current at $T_J \leq 85\text{ °C}$ | $I_{L(OFF)_85}$ | – | 0.08 | 0.5 | μA | ¹⁾ $V_{OUT} = 0\text{ V}$ $V_{IN} = \text{“low”}$ and $OUT.n.OUt.n = 0_B$ $T_A \leq 85\text{ °C}$ | P_7.5.13.9 |

Power Stages

Table 17 Electrical Characteristics: Power Stages - 5.5 mΩ

| Parameter | Symbol | Values | | | Unit | Note or Test Condition | Number |
|---|-------------------|--------|------|------|------|--|-------------|
| | | Min. | Typ. | Max. | | | |
| Output Leakage Current at $T_J = 150\text{ °C}$ | $I_{L(OFF)_150}$ | – | – | 24 | μA | $V_{OUT} = 0\text{ V}$ IN = “low” and $OUT_OUTn = 0_B$ $T_A = 150\text{ °C}$ | P_7.5.13.10 |
| Inverse Current Capability | $I_{L(INV)}$ | – | 7 | – | A | ¹⁾ $V_S < V_{OUT}$ IN = “high” or $OUT_OUTn = 1_B$ | P_7.5.13.11 |

Voltage Slope

| | | | | | | | |
|--|-------------------|---|---|----|------|--|-------------|
| Passive Slew Rate (e.g. for Half Bridge Configuration) | $ dV_{OUT} / dt $ | – | – | 10 | V/μs | ¹⁾ $V_S = 13.5\text{ V}$ | P_7.5.13.12 |
|--|-------------------|---|---|----|------|--|-------------|

Voltages

| | | | | | | | |
|----------------------------|-------------------|---|-----|-----|----|--|-------------|
| Drain Source Diode Voltage | $ V_{DS(DIODE)} $ | – | 500 | 600 | mV | ¹⁾ $I_L = -190\text{ mA}$ $T_J = 150\text{ °C}$ | P_7.5.13.13 |
|----------------------------|-------------------|---|-----|-----|----|--|-------------|

Switching Energy

| | | | | | | | |
|-------------------|-----------|---|------|---|----|--|-------------|
| Switch-ON Energy | E_{ON} | – | 0.57 | – | mJ | ¹⁾ $V_S = 18\text{ V}$ $SRC_SRCn = 0_B$ $PCS_PCCn = 0_B$ | P_7.5.13.14 |
| Switch-OFF Energy | E_{OFF} | – | 0.77 | – | mJ | ¹⁾ $V_S = 18\text{ V}$ $SRC_SRCn = 0_B$ $PCS_PCCn = 0_B$ | P_7.5.13.15 |

1) Not subject to production test - specified by design.

7.5.2 Power Output Stage - 13.5 mΩ

Table 18 Electrical Characteristics: Power Stages - 13.5 mΩ

| Parameter | Symbol | Values | | | Unit | Note or Test Condition | Number |
|--|---------------------|--------|------|------|------|--|------------|
| | | Min. | Typ. | Max. | | | |
| Output characteristics | | | | | | | |
| ON-State Resistance at $T_J = 25\text{ °C}$ | $R_{DS(ON)_25}$ | – | 13.5 | – | mΩ | ¹⁾ $T_J = 25\text{ °C}$ | P_7.5.14.1 |
| ON-State Resistance at $T_J = 150\text{ °C}$ | $R_{DS(ON)_150}$ | – | – | 22 | mΩ | $T_J = 150\text{ °C}$ | P_7.5.14.2 |
| ON-State Resistance in Cranking | $R_{DS(ON)_CRANK}$ | – | – | 27 | mΩ | $T_J = 150\text{ °C}$ $V_S = 3.1\text{ V}$ | P_7.5.14.3 |
| ON-State Resistance in Inverse Current at $T_J = 25\text{ °C}$ | $R_{DS(INV)_25}$ | – | 13.5 | – | mΩ | ¹⁾ $T_J = 25\text{ °C}$ $I_L = -I_{L(NOM)}$ | P_7.5.14.4 |

Power Stages

Table 18 Electrical Characteristics: Power Stages - 13.5 mΩ (continued)

| Parameter | Symbol | Values | | | Unit | Note or Test Condition | Number |
|--|--------------------|--------|------|------|------|--|-------------|
| | | Min. | Typ. | Max. | | | |
| ON-State Resistance in Inverse Current at $T_J = 150\text{ °C}$ | $R_{DS(INV)_150}$ | – | – | 27 | mΩ | ¹⁾ $T_J = 150\text{ °C}$ $I_L = -I_{L(NOM)}$ | P_7.5.14.5 |
| ON-State Resistance in Reverse Polarity at $T_J = 25\text{ °C}$ | $R_{DS(REV)_25}$ | – | 27 | – | mΩ | ¹⁾ $T_J = 25\text{ °C}$ $V_S = -13.5\text{ V}$ $I_L = -I_{L(NOM)}$ $R_{SENSE} = 1.2\text{ kΩ}$ | P_7.5.14.6 |
| ON-State Resistance in Reverse Polarity at $T_J = 150\text{ °C}$ | $R_{DS(REV)_150}$ | – | – | 43 | mΩ | ¹⁾ $T_J = 150\text{ °C}$ $V_S = -13.5\text{ V}$ $I_L = -I_{L(NOM)}$ $R_{SENSE} = 1.2\text{ kΩ}$ | P_7.5.14.7 |
| Nominal Load Current per Channel (all Channels Active) | $I_{L(NOM)}$ | – | 4 | – | A | ¹⁾ $T_A = 85\text{ °C}$ $T_J \leq 150\text{ °C}$ | P_7.5.14.8 |
| Output Leakage Current at $T_J \leq 85\text{ °C}$ | $I_{L(OFF)_85}$ | – | 0.04 | 0.2 | μA | ¹⁾ $V_{OUT} = 0\text{ V}$ $V_{IN} = \text{“low”}$ and $OUT_OUTn = 0_B$ $T_A \leq 85\text{ °C}$ | P_7.5.14.9 |
| Output Leakage Current at $T_J = 150\text{ °C}$ | $I_{L(OFF)_150}$ | – | – | 16 | μA | $V_{OUT} = 0\text{ V}$ $V_{IN} = \text{“low”}$ and $OUT_OUTn = 0_B$ $T_A = 150\text{ °C}$ | P_7.5.14.10 |
| Inverse Current Capability | $I_{L(INV)}$ | – | 4 | – | A | ¹⁾ $V_S < V_{OUT}$ IN = “high” or $OUT_OUTn = 1_B$ | P_7.5.14.11 |

Voltage Slope

| | | | | | | | |
|--|-------------------|---|---|----|------|--|-------------|
| Passive Slew Rate (e.g. for Half Bridge Configuration) | $ dV_{OUT} / dt $ | – | – | 10 | V/μs | ¹⁾ $V_S = 13.5\text{ V}$ | P_7.5.14.12 |
|--|-------------------|---|---|----|------|--|-------------|

Voltages

| | | | | | | | |
|----------------------------|-------------------|---|-----|-----|----|--|-------------|
| Drain Source Diode Voltage | $ V_{DS(DIODE)} $ | – | 500 | 600 | mV | ¹⁾ $I_L = -190\text{ mA}$ $T_J = 150\text{ °C}$ | P_7.5.14.13 |
|----------------------------|-------------------|---|-----|-----|----|--|-------------|

Power Stages

Table 18 Electrical Characteristics: Power Stages - 13.5 mΩ (continued)

| Parameter | Symbol | Values | | | Unit | Note or Test Condition | Number |
|-------------------------|-----------|--------|------|------|------|---|-------------|
| | | Min. | Typ. | Max. | | | |
| Switching Energy | | | | | | | |
| Switch-ON Energy | E_{ON} | – | 0.43 | – | mJ | 1) $V_S = 18\text{ V}$ SRC . SRCn = 0 _B PCS . PCCn = 0 _B | P_7.5.14.14 |
| Switch-OFF Energy | E_{OFF} | – | 0.52 | – | mJ | 1) $V_S = 18\text{ V}$ SRC . SRCn = 0 _B PCS . PCCn = 0 _B | P_7.5.14.15 |

1) Not subject to production test - specified by design.

Protection

8 Protection

The BTS72220-4ESA is protected against Overtemperature, Overload, Reverse Battery (with ReverseON) and Overvoltage. Overtemperature and Overload protections are working when the device is not in Sleep mode. Overvoltage protection works in all operation modes. Reverse Battery protection works when the GND and VS pins are reverse supplied.

8.1 Overtemperature Protection

The device incorporates both an absolute ($T_{J(ABS)}$) and a dynamic ($T_{J(DYN)}$) temperature protection circuitry for each channel. An increase of junction temperature T_J above either one of the two thresholds ($T_{J(ABS)}$ or $T_{J(DYN)}$) switches OFF the overheated channel to prevent destruction. The corresponding **WRNDIAG.WRNn** bits are set and cleared on read. The channel remains switched OFF until junction temperature has reached the “Restart” condition described in **Table 19**. The behavior is shown in **Figure 25** (absolute Overtemperature Protection) and **Figure 26** (dynamic Overtemperature Protection). $T_{J(REF)}$ is the reference temperature used for dynamic temperature protection.

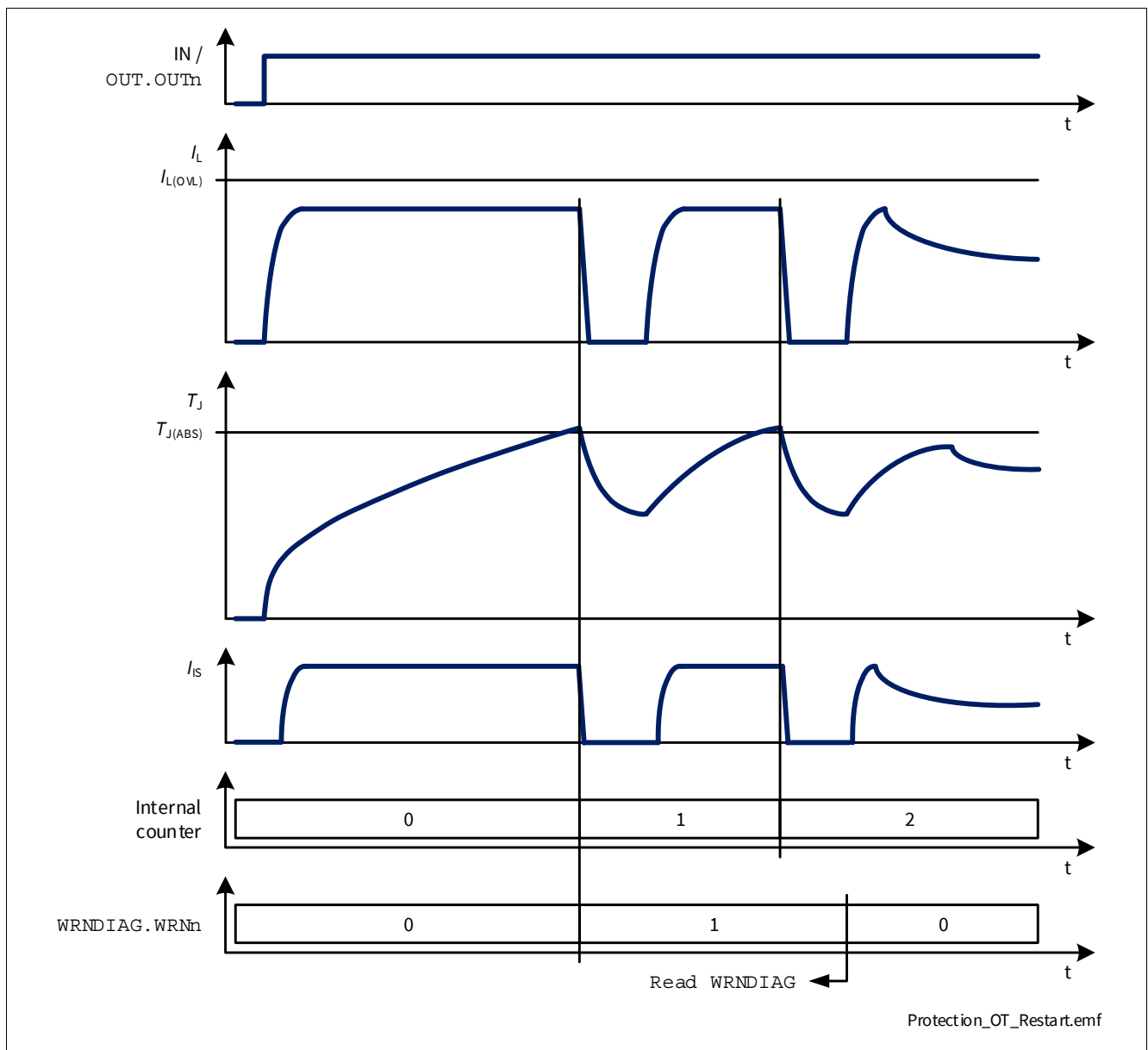


Figure 25 Overtemperature Protection (Absolute)

Protection

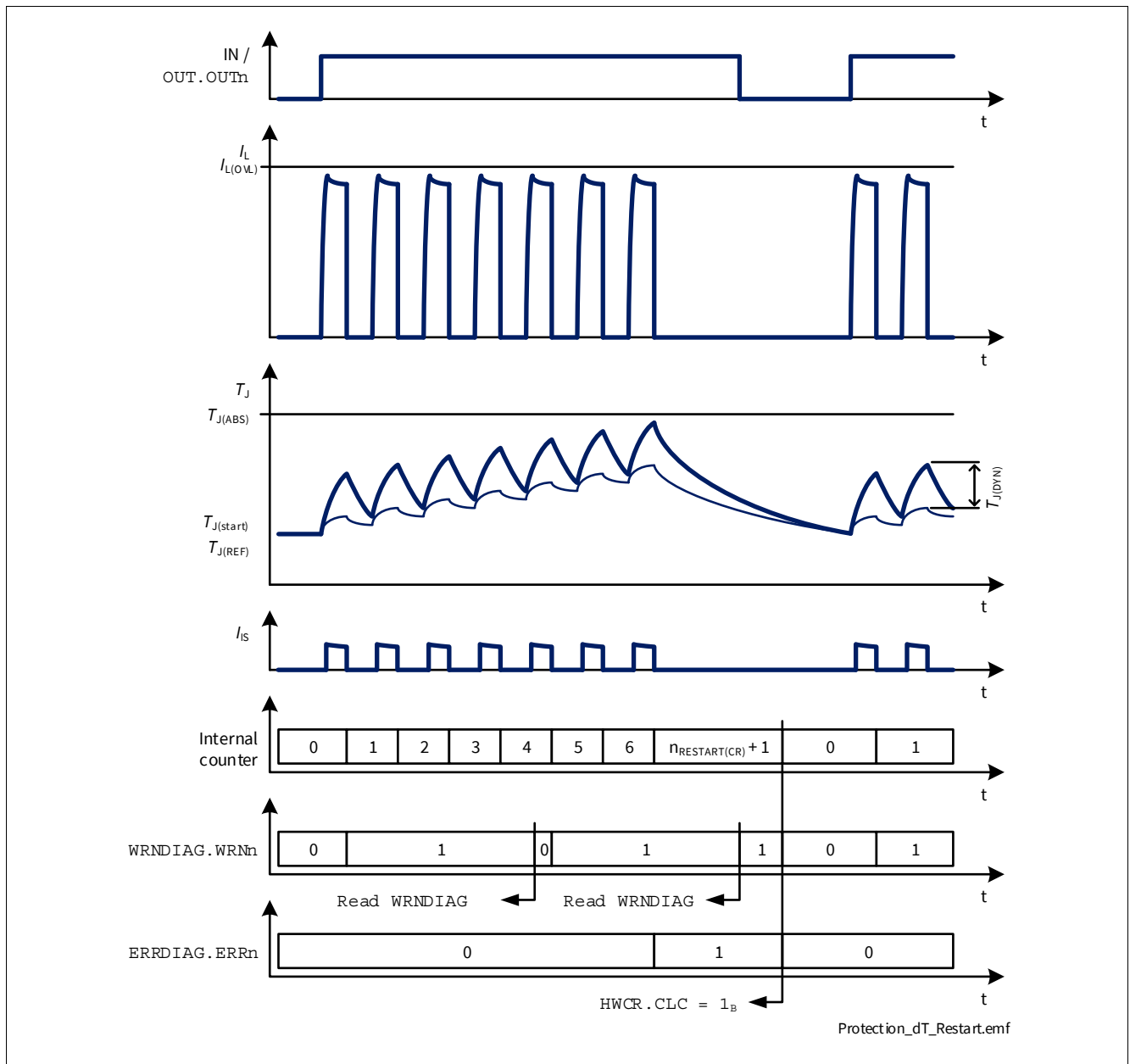


Figure 26 Overtemperature Protection (Dynamic)

When the Overtemperature protection circuitry allows the channel to be switched ON again, the restart strategy described in [Chapter 8.3.1](#) is followed.

Protection

8.2 Overload Protection

The BTS72220-4ESA is protected in case of Overload or short circuit to ground. Two Overload thresholds are defined (see [Figure 27](#)) and selected automatically depending on the voltage V_{DS} across the power DMOS:

- $I_{L(OVL0)}$ when $V_{DS} < 13\text{ V}$
- $I_{L(OVL1)}$ when $V_{DS} > 22\text{ V}$

In addition, the Overload threshold can be reduced by setting [OCR.OCTn](#).

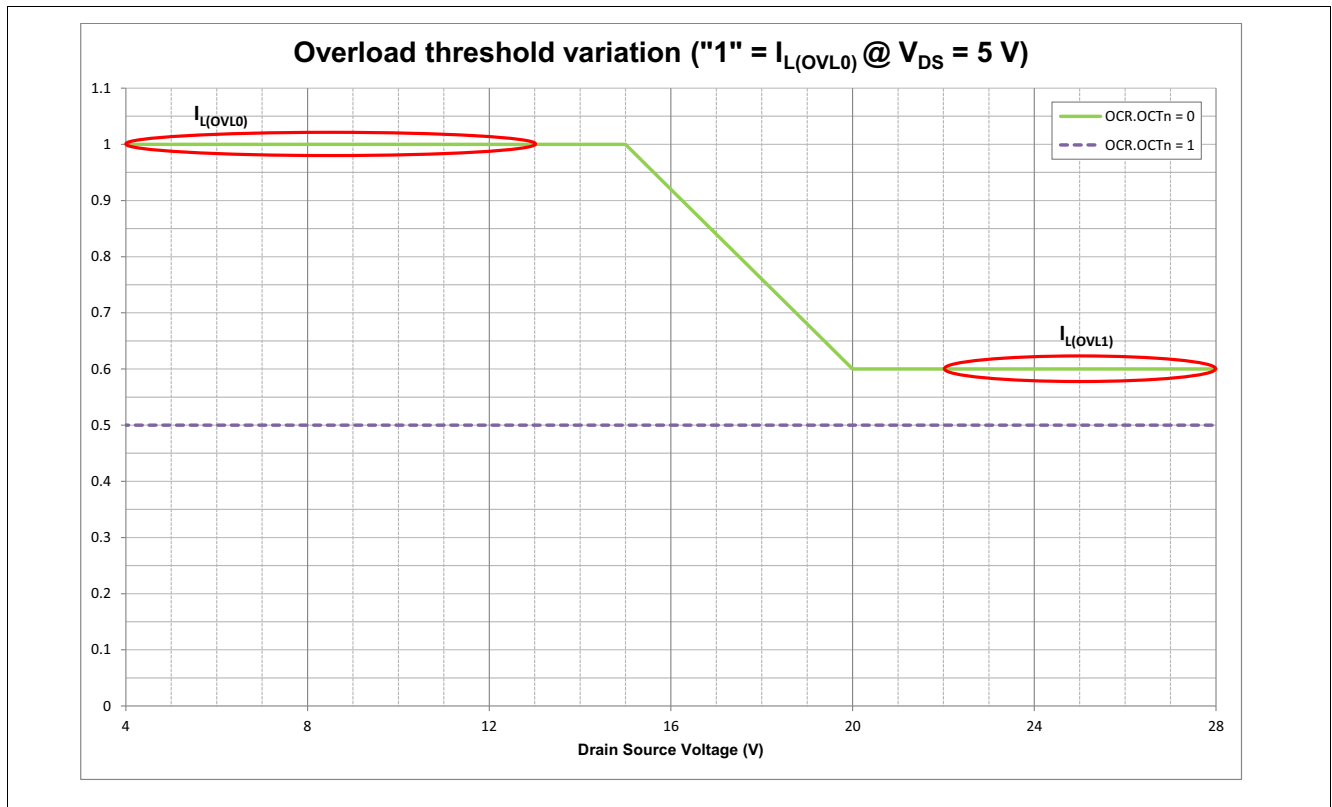


Figure 27 Overload current thresholds

When $I_L \geq I_{L(OVL)}$ (either $I_{L(OVL0)}$ or $I_{L(OVL1)}$), the channel is switched OFF. The channel is allowed to restart according to the restart strategy described in [Chapter 8.3.1](#).

8.3 Protection and Diagnosis in case of Fault

Any event that triggers a protection mechanism (either Overtemperature or Overload) has 3 consequences:

- The affected channel switches OFF and the internal counter is incremented
- The current sense of the affected channel is set to high impedance
- The corresponding [WRNDIAG.WRNn](#) are set to 1_B and latched until readout.

The channel can be switched ON again if all the protection mechanisms fulfill the “restart” conditions described in [Table 19](#) and the internal restart counter is enabled ([RCD.RCDn](#) set to 0_B).

Protection

Table 19 Protection “Restart” Condition

| Fault condition | Switch OFF event | “Restart” Condition |
|-----------------|---|---|
| Overtemperature | $T_J \geq T_{J(ABS)}$ or $(T_J - T_{J(REF)}) \geq T_{J(DYN)}$ | $T_J < T_{J(ABS)}$ and $(T_J - T_{J(REF)}) < T_{J(DYN)}$ (including hysteresis) $n_{RESTART} < n_{RESTART(CR)}$ RCD . RCDn = 0 |
| Overload | $I_L \geq I_{L(OVL)}$ | $I_L < 50$ mA T_J within $T_{J(ABS)}$ and $T_{J(DYN)}$ ranges (including hysteresis) $n_{RESTART} < n_{RESTART(CR)}$ RCD . RCDn = 0 |

8.3.1 Restart Strategy

When INx or **OUT . OUTn** is set to “high”, the corresponding channel is switched ON. In case of fault condition the output stage is switched OFF. The channel is allowed to restart only in case the “restart” conditions for the protection mechanisms are fulfilled (see **Table 19**). The **WRNDIAG . WRNn** is set during Overcurrent shutdown. It is reset when the internal fault signal is cleared and the **WRNDIAG** is transmitted, unless latched state is reached by exceeding $n_{RESTART(CR)}$. The next Overcurrent event set the **WRNDIAG . WRNn** again. In case the automatic restarts are not required, they can be deactivated by setting **RCD . RCDn** to 1_B. When **RCD . RCDn** is set to 1_B, the restart counter will be reset. When a channel reaches latched state, the corresponding **ERRDIAG . ERRn** bit is set. The restart latch and counter are cleared by setting the SPI bit **HWCR . CLC** to 1_B. If the input pin is “high” or **OUT . OUTn** is still set to 1_B, the channel is switched ON immediately after the command that set **HWCR . CLC** bit to 1_B. To ensure an adequate cool down after latch-OFF condition, application software needs to wait for $t > t_{RETRY}$ before restarting the channel.

The restart strategy is shown in **Figure 28**.

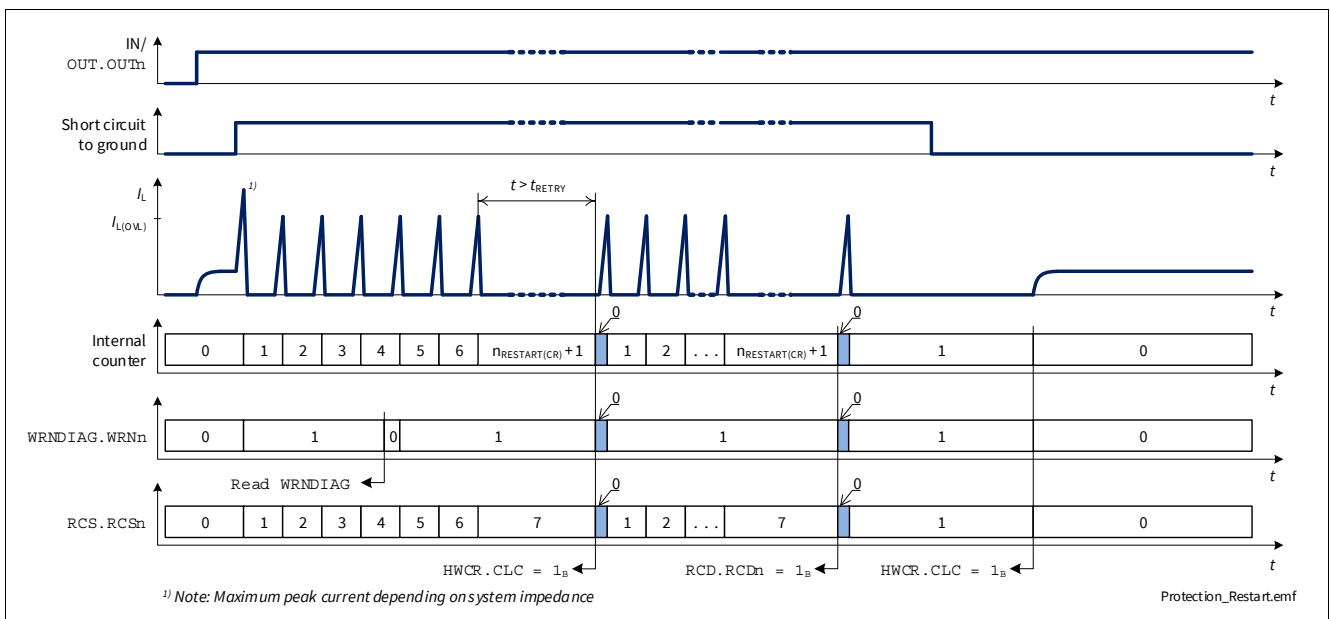


Figure 28 Restart Strategy timing diagram

Protection

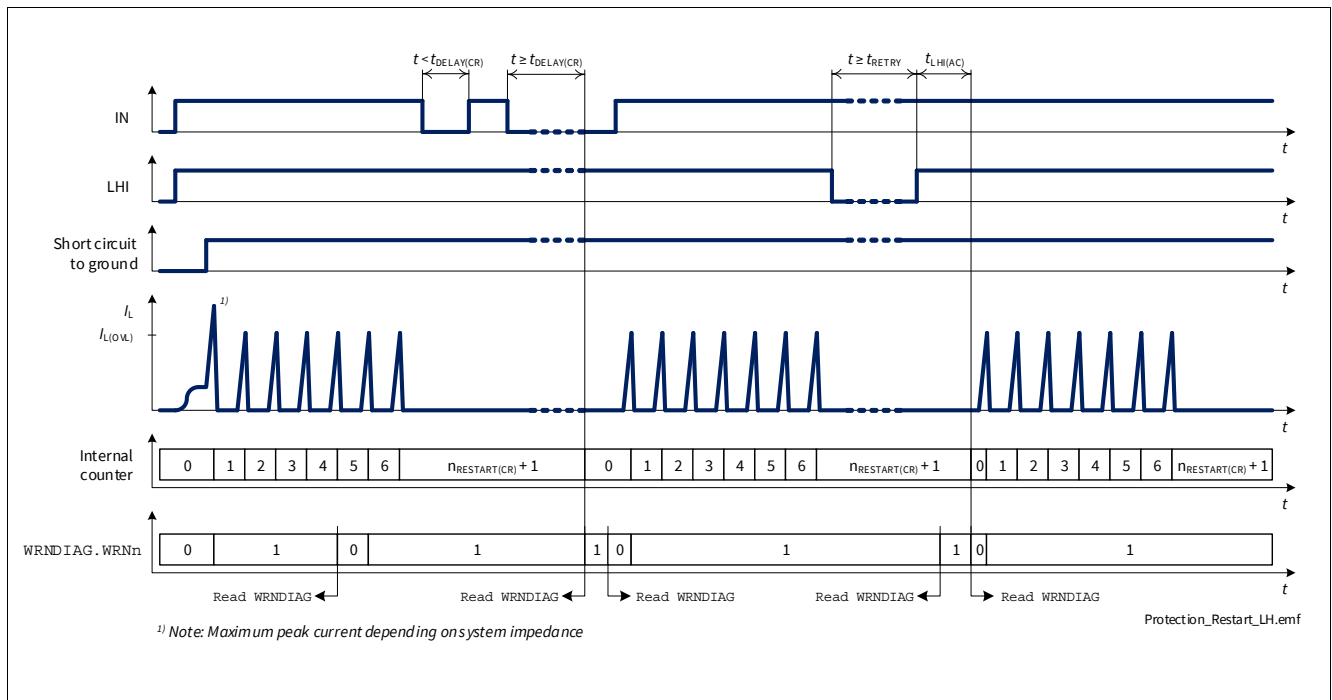


Figure 29 Restart Strategy timing diagram in Limp Home

8.4 Additional protections

8.4.1 Reverse Polarity Protection

In Reverse Polarity condition (also known as Reverse Battery), the output stages are switched ON (see parameter $R_{\text{DS(REV)}}$) because of ReverseON feature which limits the power dissipation in the output stages. Each ESD diode of the logic contributes to total power dissipation. The reverse current through the output stages must be limited by the connected loads. The current through digital power supply V_{DD} and Digital Input pins has to be limited as well by an external resistor (please refer to the Absolute Maximum Ratings listed in [Chapter 4.1](#) and to Application Information in [Chapter 11](#)).

[Figure 30](#) shows a typical application including a device with ReverseON. A current flowing into GND pin ($-I_{\text{GND}}$) during Reverse Polarity condition is necessary to activate ReverseON, therefore a resistive path between module ground and device GND pin must be present.

Protection

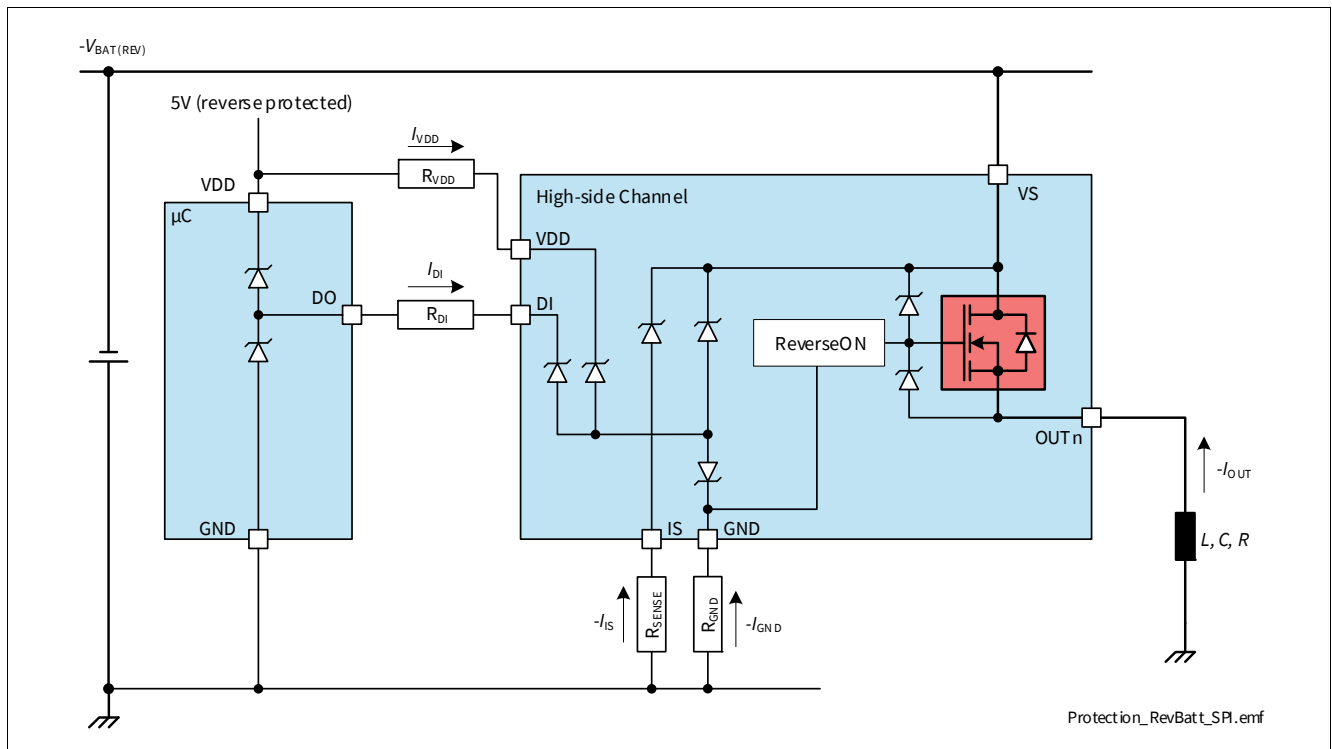


Figure 30 Reverse Battery Protection (application example)

8.4.2 Overvoltage Protection

In the case of supply voltages between $V_{S(EXT,UP)}$ and $V_{BAT(LD)}$, the output transistors are still operational and follow the input pins or the **OUT** register. In addition to the output clamp for inductive loads as described in [Chapter 7.2.2](#), there is a clamp mechanism available for Overvoltage protection for the logic and the output channels, monitoring the voltage between VS and GND pins ($V_{S(CLAMP)}$).

8.5 Protection against loss of connection

8.5.1 Loss of Battery and Loss of Load

The loss of connection to battery or to the load has no influence on device robustness when load and wire harness are purely resistive. In case of driving an inductive load, the energy stored in the inductance must be handled. BTS72220-4ESA can handle the inductivity of the wire harness up to 10 μH with $I_{L(\text{NOM})}$. In case of applications where currents and/or the aforementioned inductivity are exceeded, an external suppressor diode (like diode D_{Z2} shown in [Chapter 11](#)) is recommended to handle the energy and to provide a well-defined path to the load current.

*Note: In case of a lost battery connection the VS monitoring function protects the SPI registers as soon the device is out of Sleep mode. This means that any command sent to the device will be ignored and the device will just send back the **STDDIAG**. Furthermore, the status of the LHI pin is blanked, which means that it is not possible to enter Limp Home mode.*

8.5.2 Loss of Ground

In case of loss of device ground, it is recommended to have a resistor connected between any Digital Input pin and the microcontroller to ensure a channel switch OFF (as described in [Chapter 11](#)).

Note: In case any Digital Input pin is pulled to ground (either by a resistor or active) a parasitic ground path is available, which could keep the device operational during loss of device ground. The same behavior applies for the SPI functionality.

Protection

8.6 Electrical Characteristics Protection

$V_{DD} = 3.0\text{ V to }5.5\text{ V}$, $V_S = 6\text{ V to }18\text{ V}$, $T_J = -40\text{ °C to }+150\text{ °C}$

Typical values: $V_{DD} = 5.0\text{ V}$, $V_S = 13.5\text{ V}$, $T_J = 25\text{ °C}$

Typical resistive loads connected to the outputs for testing (unless otherwise specified):

5.5 mΩ: $R_L = 2.4\text{ Ω}$

13.5 mΩ: $R_L = 3.4\text{ Ω}$

Table 20 Electrical Characteristics: Protection - General

| Parameter | Symbol | Values | | | Unit | Note or Test Condition | Number |
|---|----------------------|--------|------|------|------|---|-----------|
| | | Min. | Typ. | Max. | | | |
| Thermal Shutdown Temperature (Absolute) | $T_{J(ABS)}$ | 150 | 175 | 200 | °C | 1)2) See Figure 25 | P_8.6.0.1 |
| Thermal Shutdown Hysteresis (Absolute) | $T_{HYS(ABS)}$ | – | 30 | – | K | 3) See Figure 25 | P_8.6.0.2 |
| Thermal Shutdown Temperature (Dynamic) | $T_{J(DYN)}$ | – | 80 | – | K | 3) See Figure 26 | P_8.6.0.3 |
| Power Supply Clamping Voltage at $T_J = -40\text{ °C}$ | $V_{S(CLAMP)_{-40}}$ | 33 | 36.5 | 42 | V | $I_{VS} = 5\text{ mA}$ $T_J = -40\text{ °C}$ See Figure 20 | P_8.6.0.6 |
| Power Supply Clamping Voltage at $T_J \geq 25\text{ °C}$ | $V_{S(CLAMP)_{25}}$ | 35 | 38 | 44 | V | 2) $I_{VS} = 5\text{ mA}$ $T_J \geq 25\text{ °C}$ See Figure 20 | P_8.6.0.7 |
| Power Supply Voltage Threshold for Overcurrent Threshold Reduction in case of Short Circuit | $V_{S(JS)}$ | 20.5 | 22.5 | 24.5 | V | 3) Setup acc. to AEC-Q100-012 | P_8.6.0.8 |

1) Functional test only.

2) Tested at $T_J = 150\text{ °C}$ only.

3) Not subject to production test - specified by design.

8.6.1 Electrical Characteristics Protection - SPOC™

Table 21 Electrical Characteristics: Protection - SPOC™

| Parameter | Symbol | Values | | | Unit | Note or Test Condition | Number |
|---|-------------------|--------|------|------|------|-----------------------------------|-----------|
| | | Min. | Typ. | Max. | | | |
| Counter Reset Delay Time after Fault Condition in Limp Home | $t_{DELAY(CR)}$ | 40 | 70 | 100 | ms | 1) LHI = “high” INx = “low” | P_8.6.2.1 |
| Automatic Restarts in Case of Fault after a Counter Reset | $n_{RESTART(CR)}$ | – | 6 | – | – | 1) | P_8.6.2.2 |

1) Not subject to production test - specified by design.

Protection

8.7 Electrical Characteristics Protection - Power Output Stages

$V_{DD} = 3.0\text{ V to }5.5\text{ V}$, $V_S = 6\text{ V to }18\text{ V}$, $T_J = -40\text{ °C to }+150\text{ °C}$

Typical values: $V_{DD} = 5.0\text{ V}$, $V_S = 13.5\text{ V}$, $T_J = 25\text{ °C}$

Typical resistive loads connected to the outputs for testing (unless otherwise specified):

5.5 mΩ: $R_L = 2.4\ \Omega$

13.5 mΩ: $R_L = 3.4\ \Omega$

8.7.1 Protection Power Output Stage - 5.5 mΩ

Table 22 Electrical Characteristics: Protection - 5.5 mΩ

| Parameter | Symbol | Values | | | Unit | Note or Test Condition | Number |
|---|------------------|--------|------|------|------|---|------------|
| | | Min. | Typ. | Max. | | | |
| Overload Detection Current High Level | $I_{L(OVL0)}$ | 104 | 116 | 130 | A | 1) $OCR.OCTn = 0_B$ $T_J = -40\text{ °C to }50\text{ °C}$ $dI/dt = 0.4\text{ A}/\mu\text{s}$ | P_8.7.13.3 |
| Overload Detection Current High Level | $I_{L(OVL0)}$ | 87 | 97 | 108 | A | 2) $OCR.OCTn = 0_B$ $T_J = 150\text{ °C}$ $dI/dt = 0.4\text{ A}/\mu\text{s}$ | P_8.7.13.4 |
| Overload Detection Current Low Level | $I_{L(OVL2)}$ | 47 | 56 | 67 | A | 2) $OCR.OCTn = 1_B$ $dI/dt = 0.4\text{ A}/\mu\text{s}$ | P_8.7.13.2 |
| Overload Detection Current High Level (parallel mode) | $I_{L(OVL3)}$ | 55 | 77 | 88 | A | 2)3) $OCR.OCTn = 0_B$ $PCS.PCCn = 1_B$ $dI/dt = 0.4\text{ A}/\mu\text{s}$ | P_8.7.13.6 |
| Overload Detection Current at High V_{DS} | $I_{L(OVL1)}$ | – | 71 | – | A | 2) $dI/dt = 0.4\text{ A}/\mu\text{s}$ | P_8.7.13.5 |
| Overload Detection Current Jump Start Condition | $I_{L(OVL_JS)}$ | – | 71 | – | A | 2) $OCR.OCTn = 0_B$ $V_S > V_{S(JS)}$ $dI/dt = 0.4\text{ A}/\mu\text{s}$ | P_8.7.13.7 |

1) Tested at $T_J = -40\text{ °C}$.

2) Not subject to production test - specified by design.

3) $I_{L(OVL3)}$ applies for one channel. Total current for two channels in parallel $I_{L(OVL)} \leq 2 \times I_{L(OVL3)}$.

Protection

8.7.2 Protection Power Output Stage - 13.5 mΩ

Table 23 Electrical Characteristics: Protection - 13.5 mΩ

| Parameter | Symbol | Values | | | Unit | Note or Test Condition | Number |
|---|------------------|--------|------|------|------|---|------------|
| | | Min. | Typ. | Max. | | | |
| Overload Detection Current High Level | $I_{L(OVL0)}$ | 55 | 62 | 69 | A | 1) $OCR.OCTn = 0_B$ $T_J = -40\text{ °C to }50\text{ °C}$ $dI/dt = 0.4\text{ A}/\mu\text{s}$ | P_8.7.14.3 |
| Overload Detection Current High Level | $I_{L(OVL0)}$ | 46 | 52 | 58 | A | 2) $OCR.OCTn = 0_B$ $T_J = 150\text{ °C}$ $dI/dt = 0.4\text{ A}/\mu\text{s}$ | P_8.7.14.4 |
| Overload Detection Current Low Level | $I_{L(OVL2)}$ | 27 | 32 | 36 | A | 2) $OCR.OCTn = 1_B$ $dI/dt = 0.4\text{ A}/\mu\text{s}$ | P_8.7.14.2 |
| Overload Detection Current High Level (parallel mode) | $I_{L(OVL3)}$ | 29 | 41 | 47 | A | 2)3) $OCR.OCTn = 0_B$ $PCS.PCCn = 1_B$ $dI/dt = 0.4\text{ A}/\mu\text{s}$ | P_8.7.14.6 |
| Overload Detection Current at High V_{DS} | $I_{L(OVL1)}$ | – | 38 | – | A | 2) $dI/dt = 0.4\text{ A}/\mu\text{s}$ | P_8.7.14.5 |
| Overload Detection Current Jump Start Condition | $I_{L(OVL_JS)}$ | – | 38 | – | A | 2) $OCR.OCTn = 0_B$ $V_S > V_{S(JS)}$ $dI/dt = 0.4\text{ A}/\mu\text{s}$ | P_8.7.14.7 |

1) Tested at $T_J = -40\text{ °C}$.

2) Not subject to production test - specified by design.

3) $I_{L(OVL3)}$ applies for one channel. Total current for two channels in parallel $I_{L(OVL)} \leq 2 \times I_{L(OVL3)}$.

Diagnosis

9 Diagnosis

For diagnosis purpose, the BTS72220-4ESA provides a current sense at pin IS as well as a diagnosis feedback via SPI. In case of disabled diagnostic, IS pin becomes high impedance. The integrated current sense multiplexer is controlled via SPI.

A sense resistor R_{SENSE} must be connected between IS pin and module ground if the current sense diagnosis is used. R_{SENSE} value has to be higher than 820 Ω (or 400 Ω when a central Reverse Battery protection is present on the battery feed) to limit the power losses in the sense circuitry. A typical value is $R_{SENSE} = 1.2 \text{ k}\Omega$.

Due to the internal connection between IS pin and V_S supply voltage, it is not recommended to connect the IS pin to the sense current output of other devices, if they are supplied by a different battery feed or using a different sense concept.

See **Figure 31** for details as an overview. For diagnosis feedback at different operation modes, please see **Chapter 9.2**.

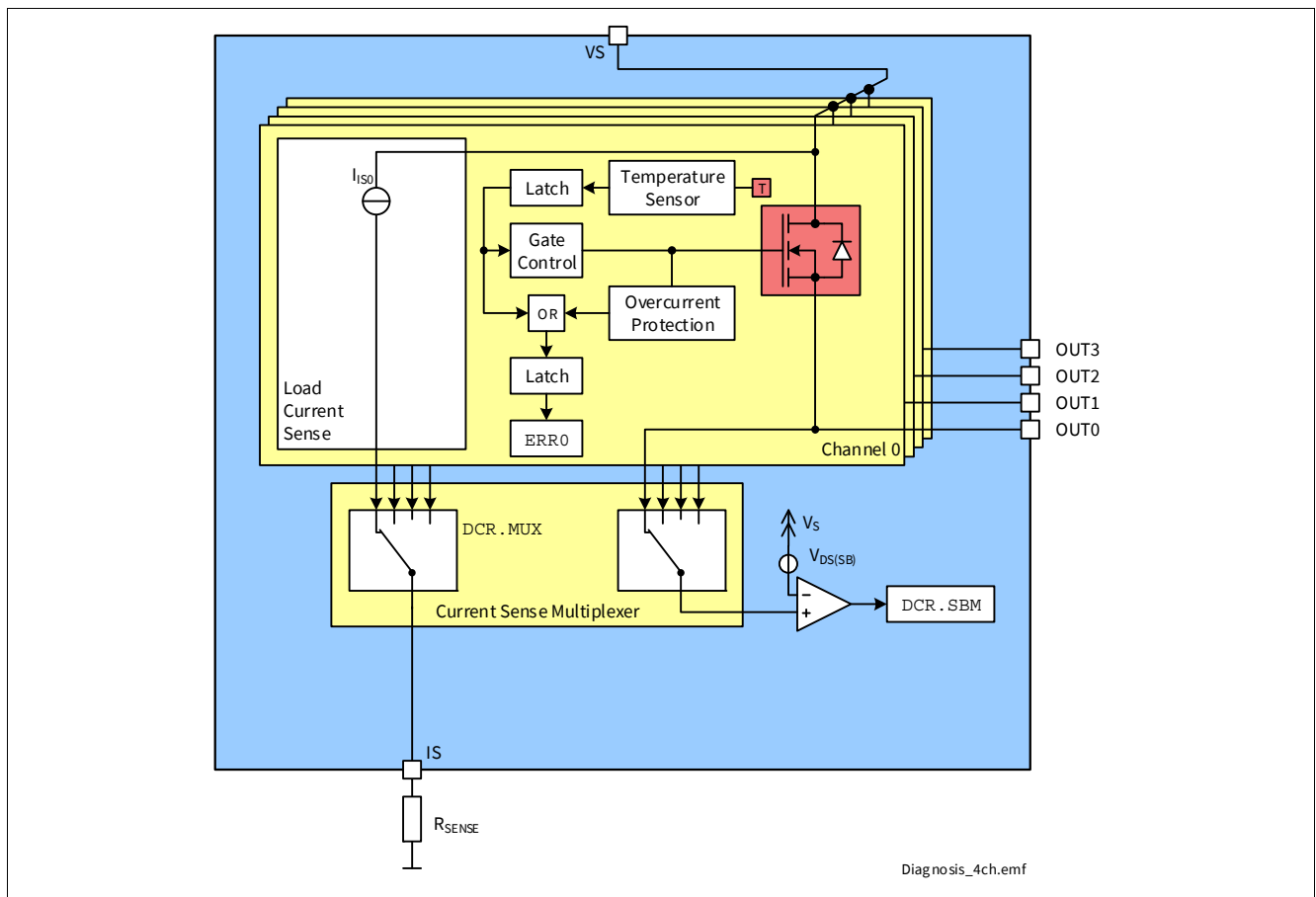


Figure 31 Diagnosis block diagram

Diagnosis

9.1 Overview

Table 24 gives a quick reference to the state of the IS pin during BTS72220-4ESA operation.

Table 24 Diagnosis feedback, Function of Operation Mode

| Operation Mode | Input level OUT . OUTn | V _{OUT} | Current sense I _{IS} | WRNDIAG . WRNn | STDDIAG . SBM |
|--|-----------------------------|--|---|-------------------|------------------|
| Normal operation | Low / 0 _B | ~ GND | Z | 0 | 1 |
| Short circuit to GND | OFF | ~ GND | Z | 0 | 1 |
| Overtemperature | | Z | Z | 1 | x |
| Short circuit to V _S | | V _S | Z | 0 | 0 |
| Open Load | | < V _S - V _{DS(SB)} | Z | 0 | 1 |
| | | > V _S - V _{DS(SB)} ¹⁾ | Z | 0 | 0 |
| Sense verification ²⁾ | | X | I _{IS(VER)} | X | 0 |
| Normal operation | High / 1 _B ON | ~ V _S | I _{IS} = I _{L(NOM)} / k _{ILIS} | 0 | 0 |
| Overload | | < V _S | I _{IS} = I _L / k _{ILIS} | 0 | x |
| Short circuit to GND | | ~ GND | Z | 1 | 1 |
| Overtemperature | | Z | Z | 1 | x |
| Short circuit to V _S | | V _S | I _{IS} < I _L / k _{ILIS} | 0 | 0 |
| Open Load | | ~ V _S ³⁾ | I _{IS} = I _{IS(EN)} | 0 | 0 |
| Sense verification ²⁾ | | X | I _{IS(VER)} | X | 0 |
| Under load (e.g. Output Voltage Limitation condition) | | ~ V _S ⁴⁾ | I _{IS(EN)} < I _{IS} < I _{L(NOM)} / k _{ILIS} | 0 | 0 |

- 1) With additional pull-up resistor.
- 2) DCR . MUX = 101_B.
- 3) The output current has to be smaller than I_{L(OL)}.
- 4) The output current has to be higher than I_{L(OL)}.

Diagnosis

9.2 Diagnosis Word at SPI

Diagnostic information about the status of each channel is provided through SPI. The fault flags, an OR combination of the overtemperature flags and the Overload monitoring signals are provided in the **WRNDIAG** register.

The Overload monitoring signals are latched in the **WRNDIAG.WRNn** bits and cleared each time the **WRNDIAG** is transmitted via SPI unless the maximum number of restarts is reached and the channel protects itself. The protection latches are cleared by SPI command **HWCR.CLC**.

9.3 Diagnosis in ON state

A current proportional to the load current (ratio $k_{ILIS} = I_L / I_{IS}$) is provided at pin IS when the following conditions are fulfilled:

- A power output stage is switched ON with $V_{DS} < V_{DS(SB)}$
- The diagnosis is enabled for that channel
- No fault (as described in **Chapter 8.3**) is present

If a “hard” failure mode is present or occurs for the channel selected using the **DCR.MUX** bits, the IS pin remains in or changes to “high impedance” state.

9.3.1 Current Sense (k_{ILIS})

The accuracy of the sense current depends on temperature and load current. I_{IS} increases linearly with I_L output current until it reaches the saturation current $I_{IS(SAT)}$. In case of Open Load at the output stage (I_L close to 0 A), the maximum sense current $I_{IS(EN)}$ (no load, diagnosis enabled) is specified. This condition is shown in **Figure 33**. The blue line represents the ideal k_{ILIS} line, while the red lines show the behavior of a typical product.

An external RC filter between IS pin and microcontroller ADC input pin is recommended to reduce signal ripple and oscillations (a minimum time constant of 1 μ s for the RC filter is recommended).

The k_{ILIS} factor is specified with limits that take into account effects due to temperature, supply voltage and manufacturing process. Tighter limits are possible (within a defined current window) with calibration:

- A well-defined and precise current ($I_{L(CAL)}$) is applied at the output during End of Line test at customer side
- The corresponding current at IS pin is measured and the k_{ILIS} is calculated ($k_{ILIS} @ I_{L(CAL)}$)
- Within the current range going from $I_{L(CAL)_L}$ to $I_{L(CAL)_H}$ the k_{ILIS} is equal to $k_{ILIS} @ I_{L(CAL)}$ with limits defined by Δk_{ILIS}

The derating of k_{ILIS} after calibration is calculated using the formulas in **Figure 32** and it is specified by Δk_{ILIS}

$$\Delta k_{ILIS,MAX} = 100 \cdot MAX \left(\frac{k_{ILIS}@I_{L(CAL)_L}}{k_{ILIS}@I_{L(CAL)}} - 1, \frac{k_{ILIS}@I_{L(CAL)_H}}{k_{ILIS}@I_{L(CAL)}} - 1 \right)$$

$$\Delta k_{ILIS,MIN} = 100 \cdot MIN \left(\frac{k_{ILIS}@I_{L(CAL)_L}}{k_{ILIS}@I_{L(CAL)}} - 1, \frac{k_{ILIS}@I_{L(CAL)_H}}{k_{ILIS}@I_{L(CAL)}} - 1 \right)$$

Figure 32 Δk_{ILIS} calculation formulas

The calibration is intended to be performed at $T_{A(CAL)} = 25^\circ\text{C}$. The parameter Δk_{ILIS} includes the drift overtemperature as well as the drift over the current range from $I_{L(CAL)_L}$ to $I_{L(CAL)_H}$.

Diagnosis

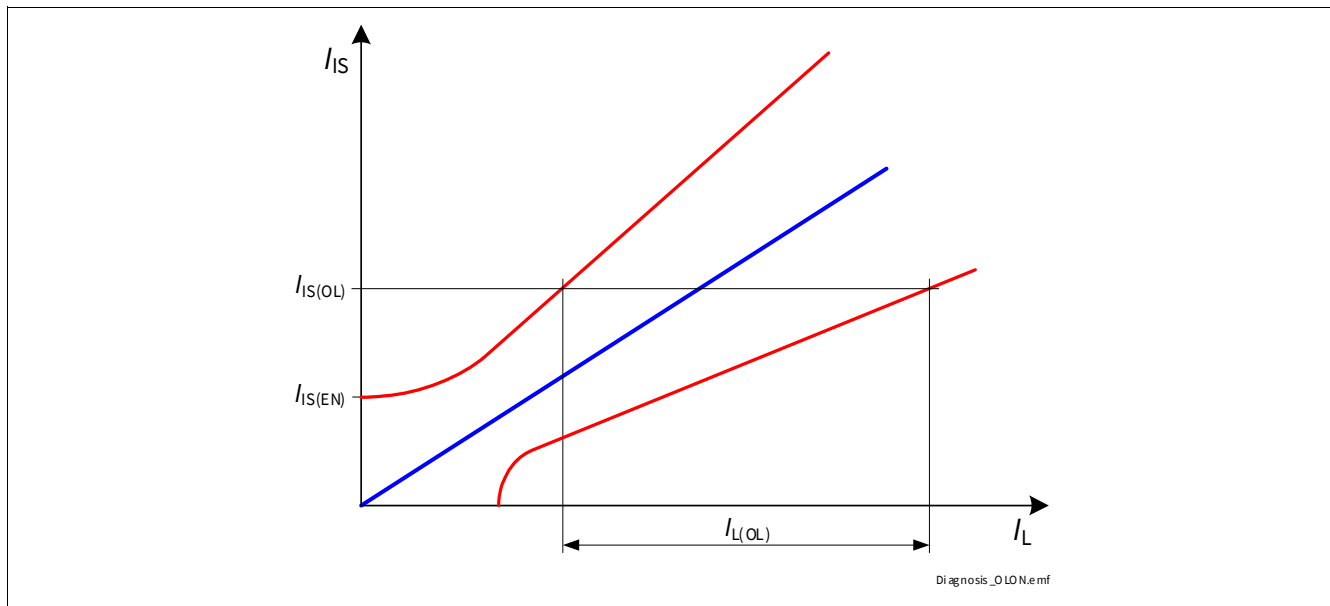


Figure 33 Current Sense Ratio in Open Load at ON condition

9.3.2 Current Sense Multiplexer

There is a current sense multiplexer implemented in the BTS72220-4ESA that routes the sense current of the selected channel to the diagnosis pin IS. The channel is selected via SPI register `DCR.MUX`. The sense current can also be disabled by SPI register `DCR.MUX`. For details on timing of the current sense multiplexer, refer to [Figure 34](#). In addition `DCR.MUX` is used in combination with other SPI bits to address further functions of the device. To verify the function of the current sensing path in ON and OFF state, the device offers a sense verification mode. In this mode a predefined current $I_{IS(VER)}$ is provided on the current sense pin independent on the load condition of any channel. This enables the microcontroller to verify the sense path at any time. The sense verification mode is enabled when `DCR.MUX = 101B`.

All commands and functions involving the `DCR.MUX` bits are listed below:

- The main function of `DCR.MUX` is to switch the current sense multiplexer
- Executing `PCS.CLCS = 1B` clears the counter and latches OFF the channel selected by `DCR.MUX`
- Executing `PCS.SRCS = 1B` the slew rate of the channel selected by `DCR.MUX` will be changed. See [Chapter 7.4.1](#) for further information
- When reading `RCS.RCSn` bits, the status of the internal counter of the channel selected by `DCR.MUX` is responded
- When setting `DCR.MUX = 101B` the sense verification mode is enabled
- When setting `PCS.SRCS = 1b`, the slew rate of the channel selected by `DCR.MUX` will be adjusted

Diagnosis

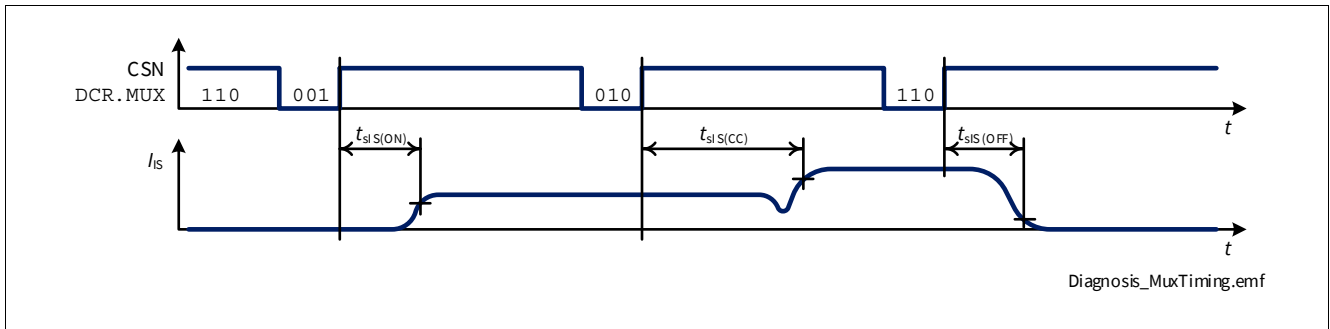


Figure 34 Current Sense Multiplexer Timings

9.4 Diagnosis in OFF state

When a power output stage is in OFF state, the BTS72220-4ESA can measure the output voltage and compare it with a threshold voltage. In this way, using some additional external components (a pull-down resistor and a switchable pull-up current source), it is possible to detect if the load is missing or if there is a short circuit to battery.

9.4.1 Switch Bypass Monitor

To detect short circuit to V_S , there is a switch bypass monitor implemented. In case of short circuit between the output pin OUT and V_S in ON state, the current flows through the power transistor as well as through the short circuit (bypass) with undefined share between the two. As a result, the current sense signal shows lower values than expected by the load current. In OFF state, the output voltage remains close to V_S potential which leads to a small V_{DS} . The switch bypass monitor compares the threshold $V_{DS(SB)}$ with the voltage V_{DS} across the power transistor of that channel which is selected by the current sense multiplexer (DCR.MUX). The result of the comparison can be read in the standard diagnosis **STDDIAG.SBM**. In addition the switch bypass monitor can be used to detect an Open Load in OFF state. In this case a switchable pull-up resistor has to be placed to pull the OUT to V_S potential.

9.5 SENSE Timings

Figure 35 shows the timing during settling $t_{sIS(ON)}$ and disabling $t_{sIS(OFF)}$ of the SENSE (including the case of load change). As a proper signal cannot be established before the load current is stable (therefore before t_{ON}), $t_{sIS(DIAG)} = t_{sIS(ON)} + t_{ON}$.

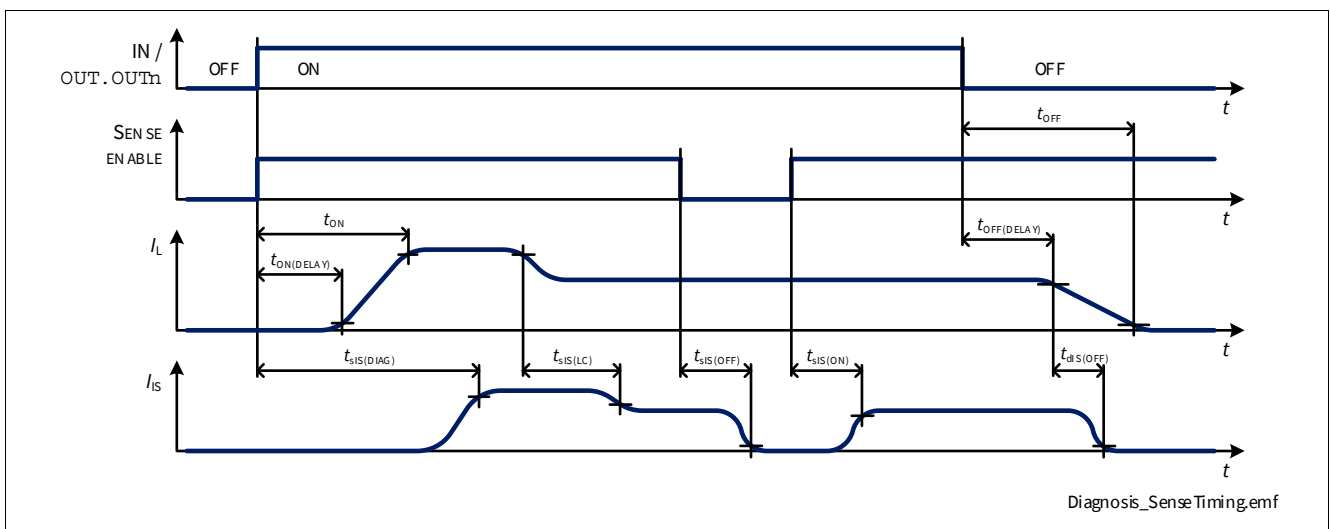


Figure 35 SENSE Settling / Disabling Timing

Diagnosis

9.6 Electrical Characteristics Diagnosis

$V_{DD} = 3.0\text{ V to }5.5\text{ V}$, $V_S = 6\text{ V to }18\text{ V}$, $T_J = -40\text{ °C to }+150\text{ °C}$

Typical values: $V_{DD} = 5.0\text{ V}$, $V_S = 13.5\text{ V}$, $T_J = 25\text{ °C}$

Typical resistive loads connected to the outputs for testing (unless otherwise specified):

5.5 mΩ: $R_L = 2.4\text{ Ω}$

13.5 mΩ: $R_L = 3.4\text{ Ω}$

Table 25 Electrical Characteristics: Diagnosis - General

| Parameter | Symbol | Values | | | Unit | Note or Test Condition | Number |
|--|------------------------|--------|------|------|------|--|------------|
| | | Min. | Typ. | Max. | | | |
| SENSE Saturation Current | $I_{IS(SAT)}$ | 4.2 | – | 15 | mA | 1) $R_{SENSE} = 1.2\text{ kΩ}$ | P_9.6.0.12 |
| SENSE Saturation Current | $I_{IS(SAT)}$ | 5 | – | 15 | mA | 1) $R_{SENSE} = 1.2\text{ kΩ}$ $V_S = 8\text{ V to }18\text{ V}$ | P_9.6.0.17 |
| SENSE Leakage Current when Disabled | $I_{IS(OFF)}$ | – | 0.01 | 0.5 | μA | $I_L \geq I_{L(NOM)}$ $V_{IS} = 0\text{ V}$ DCR . MUX = 110 _B | P_9.6.0.2 |
| SENSE Leakage Current when Enabled at $T_J \leq 85\text{ °C}$ | $I_{IS(EN)_{85}}$ | – | 0.2 | 1 | μA | 1) $T_J \leq 85\text{ °C}$ DCR . MUX ≠ <110 _B , 111 _B > See Figure 33 | P_9.6.0.3 |
| SENSE Leakage Current when Enabled at $T_J = 150\text{ °C}$ | $I_{IS(EN)_{150}}$ | – | 1 | 2 | μA | $T_J = 150\text{ °C}$ DCR . MUX ≠ <110 _B , 111 _B > See Figure 33 | P_9.6.0.11 |
| Saturation Voltage in k_{ILIS} Operation ($V_S - V_{IS}$) | V_{SIS_k} | – | 0.5 | 1 | V | 1) $V_S = 6\text{ V}$ INx = “high” or OUT . OUTn = 1 _B $I_L \leq 2 * I_{L(NOM)}$ | P_9.6.0.6 |
| Power Supply to IS Pin Clamping Voltage at $T_J = -40\text{ °C}$ | $V_{SIS(CLAMP)_{-40}}$ | 33 | 36.5 | 42 | V | $I_{IS} = 1\text{ mA}$ $T_J = -40\text{ °C}$ See Figure 20 | P_9.6.0.9 |
| Power Supply to IS Pin Clamping Voltage at $T_J \geq 25\text{ °C}$ | $V_{SIS(CLAMP)_{25}}$ | 35 | 38 | 44 | V | 2) $I_{IS} = 1\text{ mA}$ $T_J \geq 25\text{ °C}$ See Figure 20 | P_9.6.0.10 |

1) Not subject to production test - specified by design.

2) Tested at $T_J = 150\text{ °C}$.

Diagnosis

9.6.1 Electrical Characteristics Diagnosis - SPOC™

Table 26 Electrical Characteristics: Diagnosis - Thresholds, Timings

| Parameter | Symbol | Values | | | Unit | Note or Test Condition | Number |
|--|-------------------|--------|------|------|------|--|------------|
| | | Min. | Typ. | Max. | | | |
| Switch Bypass Monitor Threshold | $V_{DS(SB)}$ | 1.3 | 1.9 | 2.5 | V | OFF state | P_9.6.2.1 |
| SENSE Settling Time with Nominal Load Current Stable | $t_{SIS(ON)}$ | – | 8 | 20 | μs | $V_S = 13.5\text{ V}$ $I_L = I_{L(NOM)}$ DCR . MUX: 110 _B → 001 _B | P_9.6.2.2 |
| SENSE Settling Time with Small Load Current Stable | $t_{SIS(ON)_SLC}$ | – | – | 60 | μs | ²⁾ $V_S = 13.5\text{ V}$ $I_L = I_{L(CAL)_OL}$ DCR . MUX: 110 _B → 001 _B | P_9.6.2.10 |
| SENSE Settling Time after Channel Change | $t_{SIS(CC)}$ | – | – | 20 | μs | ¹⁾ $V_S = 13.5\text{ V}$ $I_L = I_{L(NOM)}$ DCR . MUX: 001 _B → 010 _B | P_9.6.2.4 |
| SENSE Settling Time after Channel Change with Small Load Current | $t_{SIS(CC)_SLC}$ | – | – | 60 | μs | ²⁾ $V_S = 13.5\text{ V}$ Start channel: $I_L = I_{L(CAL)}$ End channel: $I_L = I_{L(CAL)_OL}$ DCR . MUX: 001 _B → 010 _B | P_9.6.2.11 |
| SENSE Disable Time | $t_{SIS(OFF)}$ | – | – | 20 | μs | ¹⁾ $V_S = 13.5\text{ V}$ $I_L = I_{L(NOM)}$ DCR . MUX: 010 _B → 110 _B | P_9.6.2.5 |
| SENSE Settling Time after Load Change | $t_{SIS(LC)}$ | – | – | 20 | μs | ²⁾ | P_9.6.2.6 |
| SENSE Settling Time after Load Change with Small Load Current | $t_{SIS(LC)_SLC}$ | – | 250 | 400 | μs | ²⁾ $V_S = 13.5\text{ V}$ from $I_L = I_{L(CAL)}$ to $I_L = I_{L(CAL)_OL}$ | P_9.6.2.12 |
| SENSE Disable Time after Channel Deactivation | $t_{DIS(OFF)}$ | – | – | 20 | μs | ²⁾ | P_9.6.2.7 |
| SENSE Current in Sense Verification Mode | $I_{IS(VER)}$ | 400 | 500 | 600 | μA | DCR . MUX = 101 _B | P_9.6.2.8 |

1) Production test for functionality within parameter limits.

2) Not subject to production test - specified by design.

Diagnosis

9.7 Electrical Characteristics Diagnosis - Power Output Stages

$V_{DD} = 3.0\text{ V to }5.5\text{ V}$, $V_S = 6\text{ V to }18\text{ V}$, $T_J = -40\text{ °C to }+150\text{ °C}$

Typical values: $V_{DD} = 5.0\text{ V}$, $V_S = 13.5\text{ V}$, $T_J = 25\text{ °C}$

Typical resistive loads connected to the outputs for testing (unless otherwise specified):

5.5 mΩ: $R_L = 2.4\text{ Ω}$

13.5 mΩ: $R_L = 3.4\text{ Ω}$

9.7.1 Diagnosis Power Output Stage - 5.5 mΩ

Table 27 Electrical Characteristics: Diagnosis - 5.5 mΩ - high range¹⁾

| Parameter | Symbol | Values | | | Unit | Note or Test Condition | Number |
|---|------------------------|--------|------|------|------|--|-------------|
| | | Min. | Typ. | Max. | | | |
| Open Load Output Current at $I_{IS} = 4\text{ μA}$ | $I_{L(OL)_4u}$ | 5 | 20 | 50 | mA | ²⁾ $I_{IS} = I_{IS(OL)} = 4\text{ μA}$ | P_9.7.13.1 |
| Current Sense Ratio at $I_L = I_{L02}$ | k_{ILIS02} | -65% | 5500 | +65% | | ²⁾ $I_{L02} = 20\text{ mA}$ | P_9.7.13.4 |
| Current Sense Ratio at $I_L = I_{L05}$ | k_{ILIS05} | -60% | 5500 | +60% | | ²⁾ $I_{L05} = 100\text{ mA}$ | P_9.7.13.7 |
| Current Sense Ratio at $I_L = I_{L07}$ | k_{ILIS07} | -55% | 5500 | +55% | | ²⁾ $I_{L07} = 250\text{ mA}$ | P_9.7.13.9 |
| Current Sense Ratio at $I_L = I_{L10}$ | k_{ILIS10} | -40% | 5500 | +40% | | ²⁾ $I_{L10} = 1\text{ A}$ | P_9.7.13.12 |
| Current Sense Ratio at $I_L = I_{L13}$ | k_{ILIS13} | -24% | 5500 | +24% | | ²⁾ $I_{L13} = 2.8\text{ A}$ | P_9.7.13.15 |
| Current Sense Ratio at $I_L = I_{L15}$ | k_{ILIS15} | -8% | 5500 | +8% | | $I_{L15} = 5.5\text{ A}$ | P_9.7.13.17 |
| Current Sense Ratio at $I_L = I_{L17}$ | k_{ILIS17} | -8% | 5500 | +8% | | $I_{L17} = 10\text{ A}$ | P_9.7.13.19 |
| SENSE Current Derating with Low Current Calibration | $\Delta k_{ILIS(OL)}$ | -30 | 0 | +30 | % | ²⁾³⁾ $I_{L(CAL)_OL} = I_{L05}$ $I_{L(CAL)_OL_H} = I_{L07}$ $I_{L(CAL)_OL_L} = I_{L02}$ $T_{A(CAL)} = 25\text{ °C}$ | P_9.7.13.40 |
| SENSE Current Derating with Nominal Current Calibration | $\Delta k_{ILIS(NOM)}$ | -9 | 0 | +9 | % | ²⁾³⁾ $I_{L(CAL)} = I_{L15}$ $I_{L(CAL)_H} = I_{L17}$ $I_{L(CAL)_L} = I_{L13}$ $T_{A(CAL)} = 25\text{ °C}$ | P_9.7.13.41 |

1) Parameter valid only if **KRC . KRCn** = 0_B.

2) Parameter valid only if **PCS . PCCn** = 0_B.

3) Not subject to production test - specified by design.

Diagnosis

Table 28 Electrical Characteristics: Diagnosis - 5.5 mΩ - low range¹⁾

| Parameter | Symbol | Values | | | Unit | Note or Test Condition | Number |
|---|------------------------|--------|------|------|------|---|-------------|
| | | Min. | Typ. | Max. | | | |
| Open Load Output Current at $I_{IS} = 4 \mu\text{A}$ | $I_{L(OL)_4u}$ | 2 | 7 | 20 | mA | ²⁾³⁾ $I_{IS} = I_{IS(OL)} = 4 \mu\text{A}$ | P_9.7.13.20 |
| Current Sense Ratio at $I_L = I_{L01}$ | k_{ILIS01} | -70% | 1830 | +70% | | ²⁾³⁾ $I_{L01} = 10 \text{ mA}$ | P_9.7.13.22 |
| Current Sense Ratio at $I_L = I_{L03}$ | k_{ILIS03} | -65% | 1830 | +65% | | ²⁾³⁾ $I_{L03} = 30 \text{ mA}$ | P_9.7.13.24 |
| Current Sense Ratio at $I_L = I_{L05}$ | k_{ILIS05} | -55% | 1830 | +55% | | ²⁾³⁾ $I_{L05} = 100 \text{ mA}$ | P_9.7.13.27 |
| Current Sense Ratio at $I_L = I_{L07}$ | k_{ILIS07} | -45% | 1830 | +45% | | ²⁾³⁾ $I_{L07} = 250 \text{ mA}$ | P_9.7.13.30 |
| Current Sense Ratio at $I_L = I_{L10}$ | k_{ILIS10} | -24% | 1830 | +24% | | ³⁾ $I_{L10} = 1 \text{ A}$ | P_9.7.13.34 |
| Current Sense Ratio at $I_L = I_{L12}$ | k_{ILIS12} | -10% | 1830 | +10% | | ³⁾ $I_{L12} = 2 \text{ A}$ | P_9.7.13.36 |
| Current Sense Ratio at $I_L = I_{L15}$ | k_{ILIS15} | -8% | 1830 | +8% | | ³⁾ $I_{L15} = 5.5 \text{ A}$ | P_9.7.13.39 |
| SENSE Current Derating with Low Current Calibration | $\Delta k_{ILIS(OL)}$ | -30 | 0 | +30 | % | ²⁾⁴⁾ $I_{L(CAL)_OL} = I_{L03}$ $I_{L(CAL)_OL_H} = I_{L05}$ $I_{L(CAL)_OL_L} = I_{L01}$ $T_{A(CAL)} = 25 \text{ }^\circ\text{C}$ | P_9.7.13.42 |
| SENSE Current Derating with Nominal Current Calibration | $\Delta k_{ILIS(NOM)}$ | -9 | 0 | +9 | % | ⁴⁾ $I_{L(CAL)} = I_{L12}$ $I_{L(CAL)_H} = I_{L15}$ $I_{L(CAL)_L} = I_{L10}$ $T_{A(CAL)} = 25 \text{ }^\circ\text{C}$ | P_9.7.13.43 |

- 1) Parameter valid only if **KRC . KRCn** = 1_B.
- 2) Parameter valid only if **PCS . PCCn** = 0_B.
- 3) k_{ILIS} accuracy valid if 1 μs RC filter is placed at ADC input.
- 4) Not subject to production test - specified by design.

Diagnosis

9.7.2 Diagnosis Power Output Stage - 13.5 mΩ

Table 29 Electrical Characteristics: Diagnosis - 13.5 mΩ- high range¹⁾

| Parameter | Symbol | Values | | | Unit | Note or Test Condition | Number |
|---|------------------------|--------|------|------|------|---|-------------|
| | | Min. | Typ. | Max. | | | |
| Open Load Output Current at $I_{IS} = 4 \mu\text{A}$ | $I_{L(OL)_4u}$ | 3 | 9 | 25 | mA | ²⁾ $I_{IS} = I_{IS(OL)} = 4 \mu\text{A}$ | P_9.7.14.1 |
| Current Sense Ratio at $I_L = I_{L01}$ | k_{ILIS01} | -65% | 2500 | +65% | | ²⁾ $I_{L01} = 10 \text{ mA}$ | P_9.7.14.3 |
| Current Sense Ratio at $I_L = I_{L03}$ | k_{ILIS03} | -60% | 2500 | +60% | | ²⁾ $I_{L03} = 30 \text{ mA}$ | P_9.7.14.5 |
| Current Sense Ratio at $I_L = I_{L05}$ | k_{ILIS05} | -55% | 2500 | +55% | | ²⁾ $I_{L05} = 100 \text{ mA}$ | P_9.7.14.7 |
| Current Sense Ratio at $I_L = I_{L07}$ | k_{ILIS07} | -45% | 2500 | +45% | | ²⁾ $I_{L07} = 250 \text{ mA}$ | P_9.7.14.9 |
| Current Sense Ratio at $I_L = I_{L10}$ | k_{ILIS10} | -24% | 2500 | +24% | | ²⁾ $I_{L10} = 1 \text{ A}$ | P_9.7.14.12 |
| Current Sense Ratio at $I_L = I_{L12}$ | k_{ILIS12} | -8% | 2500 | +8% | | $I_{L12} = 2 \text{ A}$ | P_9.7.14.14 |
| Current Sense Ratio at $I_L = I_{L15}$ | k_{ILIS15} | -8% | 2500 | +8% | | $I_{L15} = 5.5 \text{ A}$ | P_9.7.14.17 |
| SENSE Current Derating with Low Current Calibration | $\Delta k_{ILIS(OL)}$ | -30 | 0 | +30 | % | ²⁾³⁾ $I_{L(CAL)_OL} = I_{L03}$ $I_{L(CAL)_OL_H} = I_{L05}$ $I_{L(CAL)_OL_L} = I_{L01}$ $T_{A(CAL)} = 25 \text{ °C}$ | P_9.7.14.37 |
| SENSE Current Derating with Nominal Current Calibration | $\Delta k_{ILIS(NOM)}$ | -9 | 0 | +9 | % | ²⁾³⁾ $I_{L(CAL)} = I_{L12}$ $I_{L(CAL)_H} = I_{L15}$ $I_{L(CAL)_L} = I_{L10}$ $T_{A(CAL)} = 25 \text{ °C}$ | P_9.7.14.38 |

- 1) Parameter valid only if **KRC . KRCn** = 0_B.
- 2) Parameter valid only if **PCS . PCCn** = 0_B.
- 3) Not subject to production test - specified by design.

Diagnosis

Table 30 Electrical Characteristics: Diagnosis - 13.5 mΩ - low range¹⁾

| Parameter | Symbol | Values | | | Unit | Note or Test Condition | Number |
|---|------------------------|--------|------|------|------|---|-------------|
| | | Min. | Typ. | Max. | | | |
| Open Load Output Current at $I_{IS} = 4 \mu\text{A}$ | $I_{L(OL)_4u}$ | 0.8 | 2.6 | 8 | mA | ²⁾³⁾ $I_{IS} = I_{IS(OL)} = 4 \mu\text{A}$ | P_9.7.14.18 |
| Current Sense Ratio at $I_L = I_{L00}$ | k_{ILIS00} | -65% | 830 | +65% | | ²⁾³⁾ $I_{L00} = 5 \text{ mA}$ | P_9.7.14.19 |
| Current Sense Ratio at $I_L = I_{L01}$ | k_{ILIS01} | -60% | 830 | +60% | | ²⁾³⁾ $I_{L01} = 10 \text{ mA}$ | P_9.7.14.20 |
| Current Sense Ratio at $I_L = I_{L03}$ | k_{ILIS03} | -55% | 830 | +55% | | ²⁾³⁾ $I_{L03} = 30 \text{ mA}$ | P_9.7.14.23 |
| Current Sense Ratio at $I_L = I_{L05}$ | k_{ILIS05} | -45% | 830 | +45% | | ²⁾³⁾ $I_{L05} = 100 \text{ mA}$ | P_9.7.14.26 |
| Current Sense Ratio at $I_L = I_{L07}$ | k_{ILIS07} | -30% | 830 | +30% | | ²⁾³⁾ $I_{L07} = 250 \text{ mA}$ | P_9.7.14.29 |
| Current Sense Ratio at $I_L = I_{L08}$ | k_{ILIS08} | -25% | 830 | +25% | | ³⁾ $I_{L08} = 450 \text{ mA}$ | P_9.7.14.31 |
| Current Sense Ratio at $I_L = I_{L10}$ | k_{ILIS10} | -10% | 830 | +10% | | ³⁾ $I_{L10} = 1 \text{ A}$ | P_9.7.14.33 |
| Current Sense Ratio at $I_L = I_{L13}$ | k_{ILIS13} | -8% | 830 | +8% | | ³⁾ $I_{L13} = 2.8 \text{ A}$ | P_9.7.14.36 |
| SENSE Current Derating with Low Current Calibration | $\Delta k_{ILIS(OL)}$ | -30 | 0 | +30 | % | ²⁾⁴⁾ $I_{L(CAL)_OL} = I_{L01}$ $I_{L(CAL)_OL_H} = I_{L03}$ $I_{L(CAL)_OL_L} = I_{L00}$ $T_{A(CAL)} = 25 \text{ }^\circ\text{C}$ | P_9.7.14.39 |
| SENSE Current Derating with Nominal Current Calibration | $\Delta k_{ILIS(NOM)}$ | -9 | 0 | +9 | % | ⁴⁾ $I_{L(CAL)} = I_{L10}$ $I_{L(CAL)_H} = I_{L13}$ $I_{L(CAL)_L} = I_{L08}$ $T_{A(CAL)} = 25 \text{ }^\circ\text{C}$ | P_9.7.14.40 |

- 1) Parameter valid only if **KRC . KRCn** = 1_B.
- 2) Parameter valid only if **PCS . PCCn** = 0_B.
- 3) k_{ILIS} accuracy valid if 1 μs RC filter is placed at ADC input.
- 4) Not subject to production test - specified by design.

Serial Peripheral Interface (SPI)

10 Serial Peripheral Interface (SPI)

The serial peripheral interface (SPI) is a full duplex synchronous serial slave interface, which uses four lines: SO, SI, SCLK and CSN. Data is transferred by the lines SI and SO at the rate given by SCLK. The falling edge of CSN indicates the beginning of an access. Data is sampled-in on line SI at the falling edge of SCLK and shifted out on line SO at the rising edge of SCLK. Each access must be terminated by a rising edge of CSN. A modulo 8 counter ensures that data is taken only when a multiple of 8 bit has been transferred. The interface provides daisy chain capability with modulo 8 bit SPI devices.

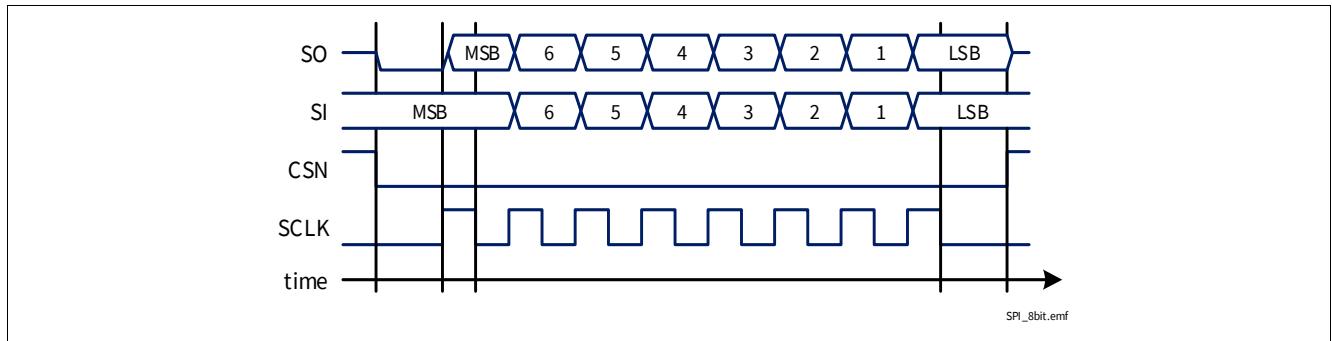


Figure 36 Serial Peripheral Interface

10.1 SPI Signal Description

CSN - Chip Select Negated

The system microcontroller selects the BTS72220-4ESA by means of the CSN pin. Whenever the pin is in “low” state, data transfer can take place. When CSN is in “high” state, any signals at the SCLK and SI pins are ignored and SO is forced into a “high impedance” state.

CSN “high” to “low” Transition

- The requested information is transferred into the shift register.
- SO changes from “high impedance” state to “low” state.

CSN “low” to “high” Transition

- Command decoding is only done, when after the falling edge of CSN exactly a multiple (1, 2, 3, ...) of eight SCLK signals have been detected. In case of an incorrect SCLK count, the transmission error flag (**STDDIAG.TER**) is set and the command is ignored.
- Data from shift register is transferred into the addressed register.

SCLK - Serial Clock

This input pin clocks the internal shift register. The serial input (SI) transfers data into the shift register on the falling edge of SCLK while the serial output (SO) shifts diagnostic information out on the rising edge of the serial clock. It is essential that the SCLK pin is in “low” state whenever chip select CSN makes any transition, otherwise the command may not be accepted.

SI - Serial Input

Serial input data bits are shifted in at this pin, the most significant bit first. SI information is read on the falling edge of SCLK. The input data consists of two parts, control bits followed by data bits. Please refer to **Chapter 10.5** for further information.

Serial Peripheral Interface (SPI)

SO Serial Output

Data is shifted out serially at this pin, the most significant bit first. SO is in “high impedance” state until the CSN pin goes to “low” state. New data will appear at the SO pin following the rising edge of SCLK.

Please refer to [Chapter 10.5](#) for further information.

10.2 Daisy Chain Capability

The SPI of BTS72220-4ESA provides daisy chain capability for modulo 8 bit SPI devices. In this configuration several devices are activated by the same CSN signal MCSN. The SI line of one device is connected with the SO line of another device (see [Figure 37](#)), in order to build a chain. The end of the chain is connected to the output and input of the master device, MO and MI respectively. The master device provides the master clock MCLK which is connected to the SCLK line of each device in the chain.

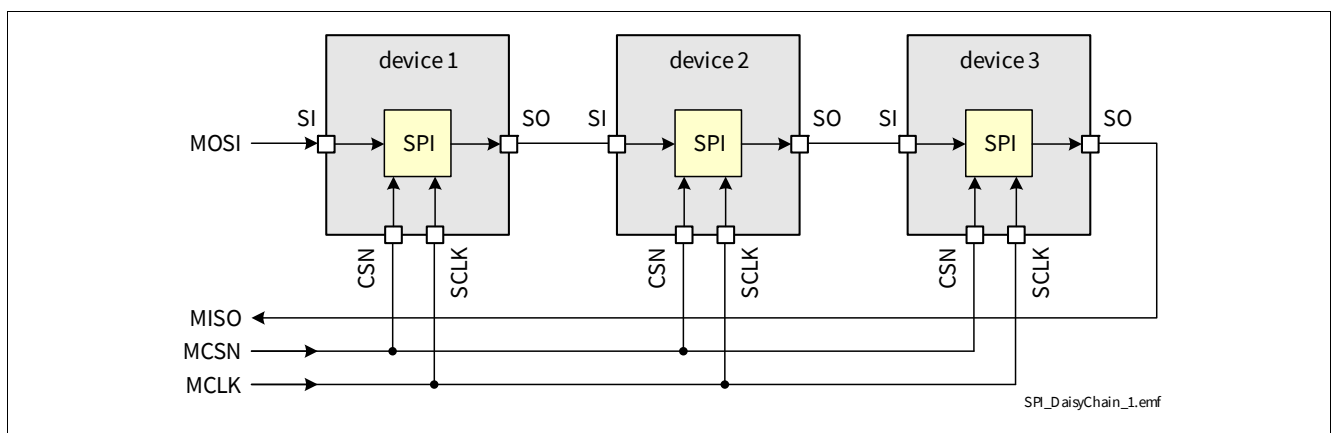


Figure 37 Daisy Chain Configuration

In the SPI block of each device, there is one shift register where each bit from SI line is shifted in each SCLK. The bit is shifted out on SO pin. After eight SCLK cycles, the data transfer for one device is finished. In single chip configuration, the CSN line must turn “high” to make the device acknowledge the transferred data. In daisy chain configuration, the data shifted out at device 1 has been shifted into device 2. When using three devices in daisy chain, three times 8 bits have to be shifted through the devices. After that, the MCSN line must turn “high” (see [Figure 38](#)).

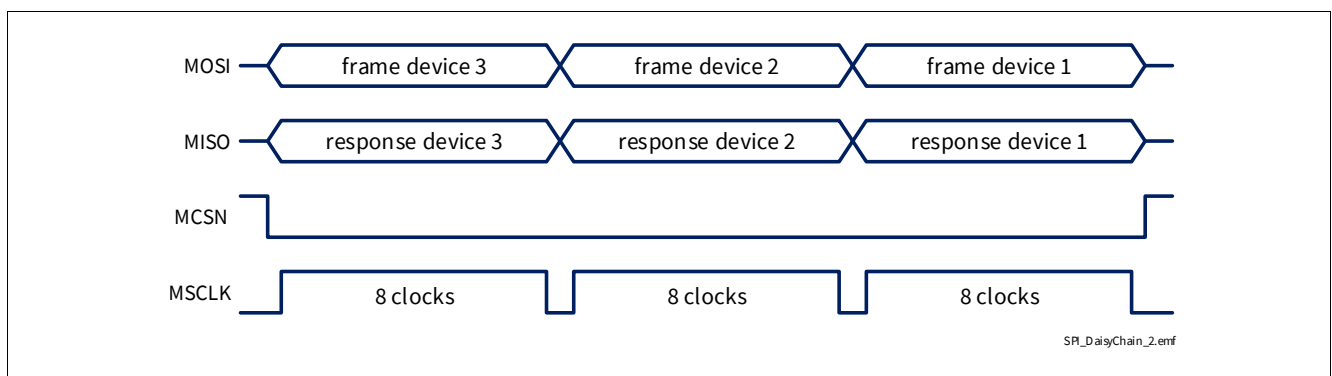


Figure 38 Data Transfer in Daisy Chain Configuration

Serial Peripheral Interface (SPI)

10.3 Timing Diagrams

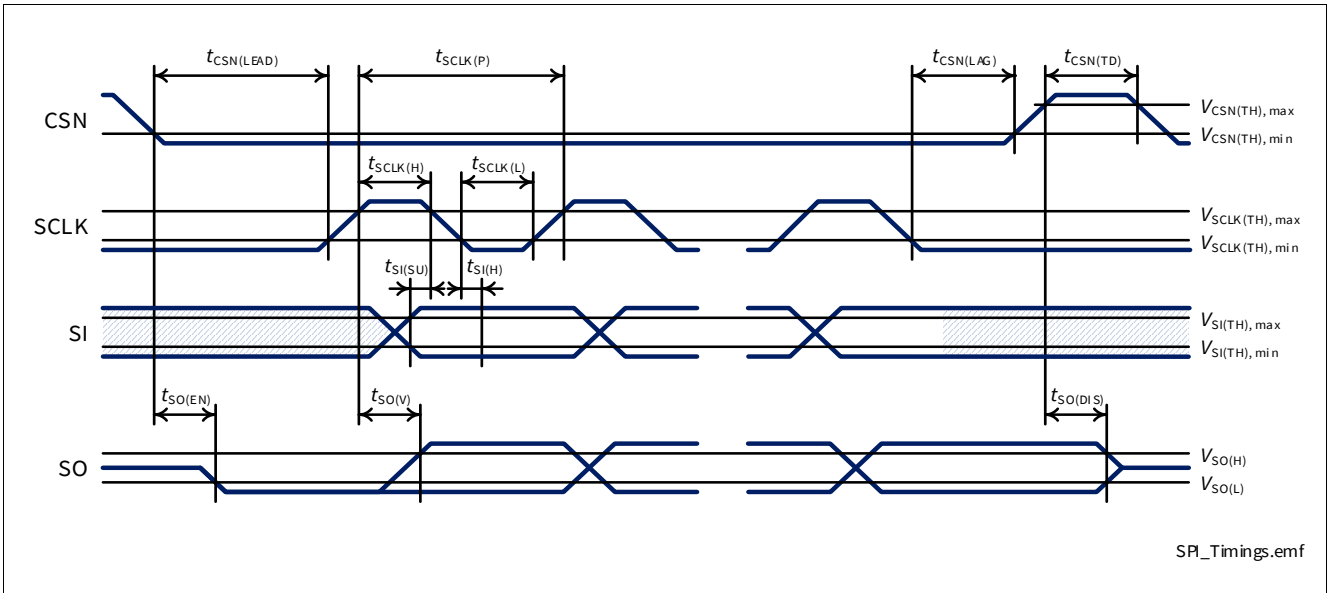


Figure 39 Timing Diagram SPI Access

Serial Peripheral Interface (SPI)

10.4 Electrical Characteristics

$V_{DD} = 3.0\text{ V to }5.5\text{ V}$, $V_S = 6\text{ V to }18\text{ V}$, $T_J = -40\text{ °C to }+150\text{ °C}$

Typical values: $V_{DD} = 5.0\text{ V}$, $V_S = 13.5\text{ V}$, $T_J = 25\text{ °C}$

Table 31 Electrical Characteristics Serial Peripheral Interface (SPI)

| Parameter | Symbol | Values | | | Unit | Note or Test Condition | Number |
|--|-----------------|--------|------|------|------|---|-------------|
| | | Min. | Typ. | Max. | | | |
| Timings | | | | | | | |
| Enable Lead Time (falling CSN to rising SCLK) | $t_{CSN(LEAD)}$ | 200 | – | – | ns | ¹⁾ | P_10.4.0.1 |
| Enable Lag Time (falling SCLK to rising CSN) | $t_{CSN(LAG)}$ | 200 | – | – | ns | ¹⁾ | P_10.4.0.2 |
| Transfer Delay Time (rising CSN to falling CSN) | $t_{CSN(TD)}$ | 500 | – | – | ns | ¹⁾ | P_10.4.0.3 |
| Output Enable Time (falling CSN to SO valid) | $t_{SO(EN)}$ | – | 30 | 100 | ns | ¹⁾ $C_{L(SO)} = 50\text{ pF}$ | P_10.4.0.4 |
| Output Disable Time (rising CSN to SO tristate) | $t_{SO(DIS)}$ | – | 30 | 100 | ns | ¹⁾ $C_{L(SO)} = 50\text{ pF}$ | P_10.4.0.5 |
| Serial Clock Frequency | f_{SCLK} | 0 | – | 5 | MHz | ¹⁾ | P_10.4.0.6 |
| Serial Clock Period | $t_{SCLK(P)}$ | 200 | – | – | ns | ¹⁾ | P_10.4.0.7 |
| Serial Clock “High” Time | $t_{SCLK(H)}$ | 90 | – | – | ns | ¹⁾ | P_10.4.0.8 |
| Serial Clock “Low” Time | $t_{SCLK(L)}$ | 90 | – | – | ns | ¹⁾ | P_10.4.0.9 |
| Data Setup Time (required Time SI to falling SCLK) | $t_{SI(SU)}$ | 20 | – | – | ns | ¹⁾ | P_10.4.0.10 |
| Data Hold Time (falling SCLK to SI) | $t_{SI(H)}$ | 20 | – | – | ns | ¹⁾ | P_10.4.0.11 |
| Output Data Valid Time with Capacitive Load | $t_{SO(V)}$ | – | – | 60 | ns | ¹⁾ $C_{L(SO)} = 50\text{ pF}$ | P_10.4.0.12 |

1) Not subject to production test - specified by design.

Serial Peripheral Interface (SPI)

10.5 SPI Protocol

The relationship between SI and SO content during SPI communication is shown in **Figure 40**. SI line represents the frame sent from the μC and SO line is the answer provided by BTS72220-4ESA. The “previous response” means that the frame sent back depends on the command frame sent from the μC before.

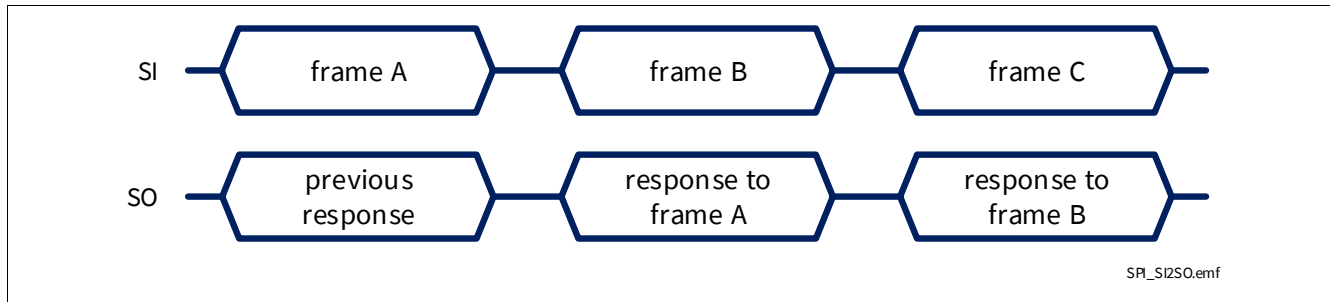


Figure 40 Relationship between SI and SO during SPI communication

The SPI protocol provides the answer to a command frame only with the next transmission triggered by the μC . The responses of write commands are deterministic and can be decoded as STDDIAG or WRNDIAG frame. For responses of read commands previous transmission has to be considered for decoding.

More in detail, the sequence of commands to “read” and “write” the content of a register will look as follows:

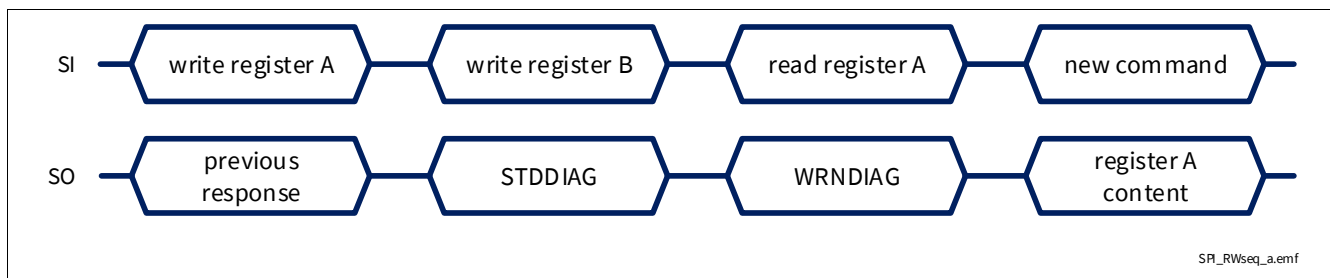


Figure 41 Register content sent back to μC (a)

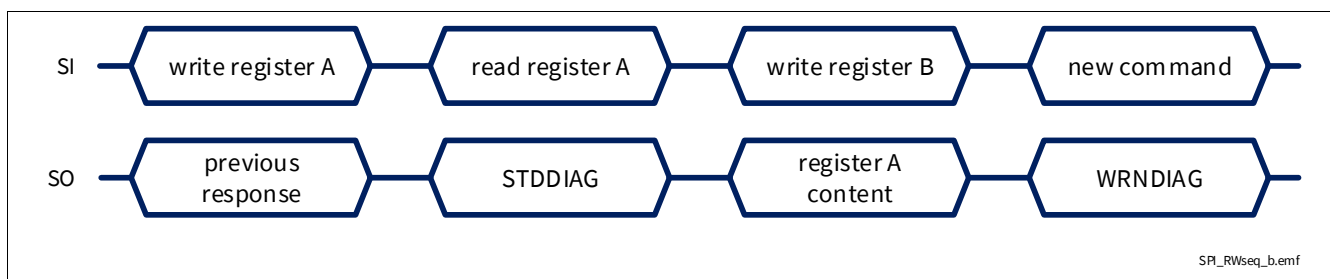


Figure 42 Register content sent back to μC (b)

There are 3 special situations where the frame sent back to the μC doesn't depend on the previous received frame:

- In case an error in transmission happened during the previous frame (for instance, the clock pulses were not multiple of 8), shown in **Figure 43**
- When BTS72220-4ESA digital supply comes out of Power-On reset condition, as shown in **Figure 44**
- When $V_S < V_{S(TP)}$ and $\text{DCR.MUX} \neq 111_B$, as shown in **Figure 45**

Serial Peripheral Interface (SPI)

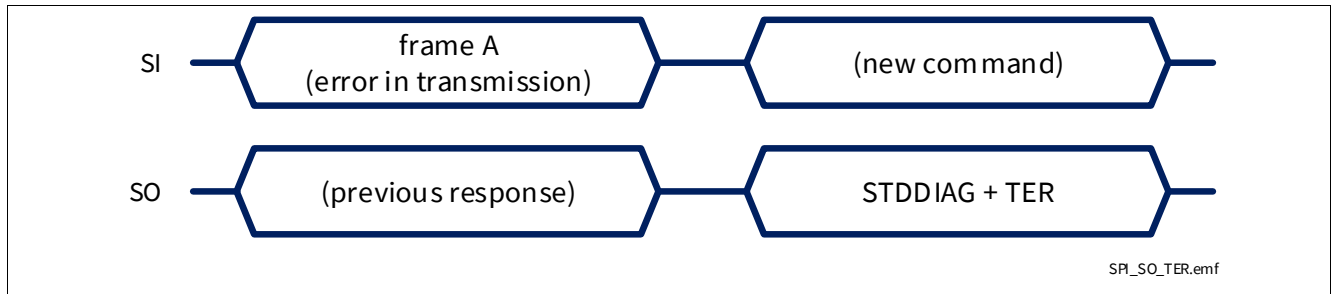


Figure 43 SPI response after an error in transmission

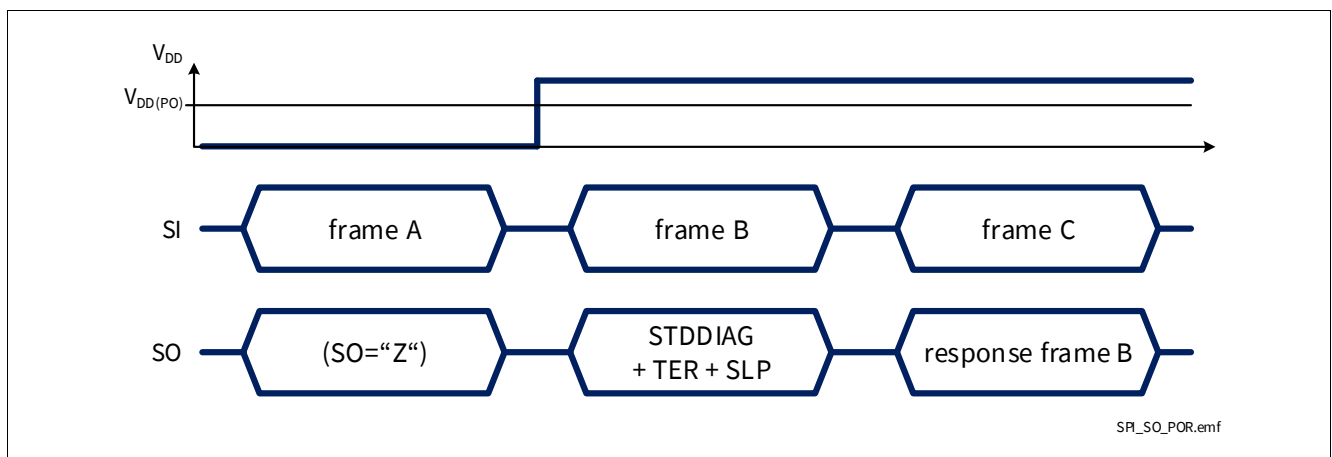


Figure 44 SPI response after coming out of Power-On reset at V_{DD}

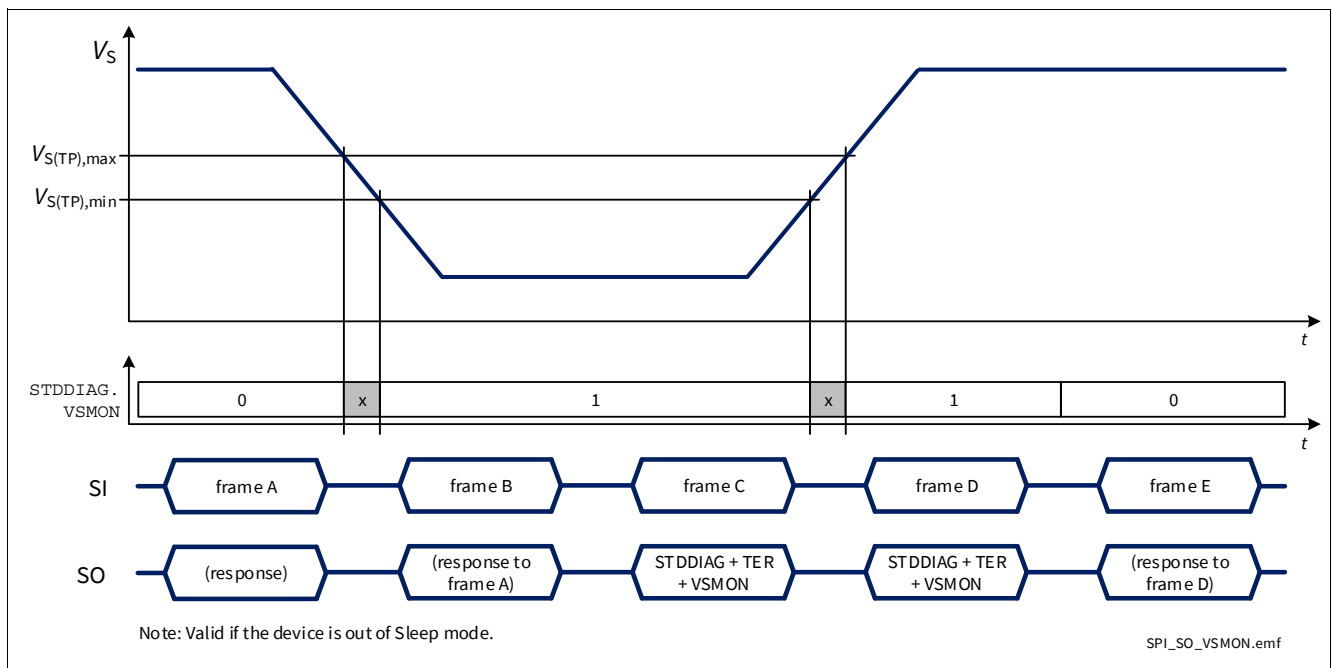


Figure 45 SPI response in case of voltage drop on battery

A summary of all possible SPI commands is presented in [Table 32](#), including the answer that BTS72220-4ESA will send back at the next transmission.

Serial Peripheral Interface (SPI)

Table 32 SPI Command Summary

| Requested Operation | Frame sent to SPOC™ (SI pin) | Frame received from SPOC™ (SO pin) with the next command |
|---|---|--|
| Write OUT register DCR.SWR = x_B | $100xddd_B$ where: “ $xddd_B$ ” = new OUT register content (“ x_B ” = don't care) | $00dddddd_B$ - STDDIAG or $01dddddd_B$ - WRNDIAG (Standard Diagnosis or Warning Diagnosis will be sent alternating) |
| Read OUT register | $0xxxaaaa_B$ where: “ $aaaa_B$ ” = ADDR1 ¹⁾ (“ x_B ” = don't care) | $1000ddd_B$ (“ ddd_B ” = OUT register content) |
| Read RCS register | $0xxxaaaa_B$ where: “ $aaaa_B$ ” = ADDR1 ¹⁾ (“ x_B ” = don't care) | $10000ddd_B$ (“ ddd_B ” = RCS register content) |
| Write Configuration registers | $11aaddddd_B$ where: “ aa_B ” = ADDR0 ¹⁾ “ ddd_B ” = new register content | $00dddddd_B$ - STDDIAG $01dddddd_B$ - WRNDIAG (Standard Diagnosis or Warning Diagnosis will be sent alternating) |
| Read Configuration registers | $0xxxaaaa_B$ where: “ $aaaa_B$ ” = ADDR1 ¹⁾ (“ x_B ” = don't care) | $11aaddddd_B$ where: “ aa_B ” = ADDR0 ¹⁾ “ ddd_B ” = register content |
| Read Warning Diagnosis | $0xxxx001_B$ (“ x_B ” = don't care) | $0100ddd_B$ - WRNDIAG (Warning Diagnosis) |
| Read Standard Diagnosis | $0xxxx010_B$ (“ x_B ” = don't care) | $00dddddd_B$ - STDDIAG (Standard Diagnosis) |
| Read Error Diagnosis | $0xxxx011_B$ (“ x_B ” = don't care) | $0100ddd_B$ - ERRDIAG (Error Diagnosis) |

1) **ADDR0** and **ADDR1** are defined according to **Table 33**.

Serial Peripheral Interface (SPI)

10.6 SPI Diagnosis Registers

10.6.1 Diagnosis Registers - Read Commands

| Name | 7 | 6 | 5 | 4 | 3 | 2 | 1 | 0 |
|---------|---|---|---|---|---|---|---|---|
| WRNDIAG | 0 | x | x | x | 0 | 0 | 0 | 1 |
| STDDIAG | 0 | x | x | x | 0 | 0 | 1 | 0 |
| ERRDIAG | 0 | x | x | x | 0 | 0 | 1 | 1 |

10.6.2 Diagnosis Registers - Responses

| Name | 7 | 6 | 5 | 4 | 3 | 2 | 1 | 0 | Default |
|---------|---|---|-------------|-------------|--------------|-------------|-------------|---------------|-----------------|
| WRNDIAG | 0 | 1 | 0 | 0 | WRNDIAG.WRNn | | | | 40 _H |
| STDDIAG | 0 | 0 | STDDIAG.TER | STDDIAG.CSV | STDDIAG.LHI | STDDIAG.SLP | STDDIAG.SBM | STDDIAG.VSMON | 24 _H |
| ERRDIAG | 0 | 1 | 0 | 0 | ERRDIAG.ERRn | | | | 40 _H |

| Field | Bits | Type | Description |
|---------------|------|------|--|
| STDDIAG.TER | 5 | r | Transmission Error 0 _B Previous transmission was successful (modulo 8 clocks received) 1 _B (default) Previous transmission failed or first transmission after Power-On reset or $V_S < V_{S(TP)}$ if STDDIAG.VSMON = 1 _B |
| STDDIAG.CSV | 4 | r | Checksum Verification¹⁾ 0 _B (default) Checksum verification was pass or no checksum calculated 1 _B Previous checksum verification was fail |
| STDDIAG.LHI | 3 | r | Limp Home monitor 0 _B (default) “Low” level at pin LHI 1 _B “High” level at pin LHI |
| STDDIAG.SLP | 2 | r | Sleep mode monitor 0 _B Device out of Sleep mode 1 _B (default) Device is in Sleep mode |
| STDDIAG.SBM | 1 | r | Switch Bypass Monitor²⁾ 0 _B $V_{DS} < V_{DS(SB)}$ 1 _B $V_{DS} > V_{DS(SB)}$ |
| STDDIAG.VSMON | 0 | r | V_S monitor 0 _B (default) V_S always $> V_{S(UV)}$ since last Standard Diagnosis readout 1 _B $V_S < V_{S(UV)}$ at least once or $V_S < V_{S(TP)}$ if STDDIAG.TER = 1 _B |

Serial Peripheral Interface (SPI)

| Field | Bits | Type | Description |
|----------------------------|------|------|---|
| WRNDIAG.WRNn n = 3 to 0 | 3:0 | r | Warning Diagnosis of Channel n 0 _B (default) No failure 1 _B Overcurrent, Overtemperature or delta T detected |
| ERRDIAG.ERRn n = 3 to 0 | 3:0 | r | Error Diagnosis of Channel n 0 _B (default) No failure 1 _B Channel latched OFF |

- 1) See [Chapter 10.8](#) for details on checksum calculation.
- 2) The switch bypass monitor compares the threshold $V_{DS(SB)}$ with the voltage V_{DS} across the power transistor of that channel which is selected by the current sense multiplexer ([DCR.MUX](#)).

10.7 SPI Configuration Registers

The following table provides an overview on the registers available and the available address space.

Table 33 Register Overview

| Name | SWR ¹⁾ | RB | ADDR0 | ADDR1 | Content |
|------|-------------------|----|-------|-------|--|
| OUT | x/0 ²⁾ | 0 | (na) | 0000 | Output configuration |
| RCS | 1 | 0 | (na) | 1000 | Restart counter status (read-only) |
| SRC | 1 | 0 | (na) | 1001 | Slew Rate Control register (read-only) |
| OCR | 0 | 1 | 00 | 0100 | Overcurrent threshold configuration |
| RCD | 1 | 1 | 00 | 1100 | Restart counter disable |
| KRC | 0 | 1 | 01 | 0101 | KILIS range control |
| PCS | 1 | 1 | 01 | 1101 | Parallel channel and Slew Rate control |
| HWCR | 0 | 1 | 10 | 0110 | Hardware configuration |
| ICS | 1 | 1 | 10 | 1110 | Input status & checksum input |
| DCR | x | 1 | 11 | x111 | Diagnostic configuration and Swap bit |

- 1) [DCR.SWR](#) bit is only changed for write commands. For read commands it is used as part of the read address.
- 2) For writing to [OUT](#) register [DCR.SWR](#) = x, for read address [DCR.SWR](#) = 0_B.

Table 34 Configuration Registers - Write Commands RB-0

| Bit | | 7 | 6 | 5 | 4 | 3 | 2 | 1 | 0 |
|---------------------|-----|---|----|---|---|--------------------------|---|---|---|
| Name | SWR | 7 | RB | 5 | 4 | 3 | 2 | 1 | 0 |
| OUT | x | 1 | 0 | 0 | x | OUT.OUTn | | | |

Table 35 Configuration Registers - Write Commands RB-1

| Bit | | 7 | 6 | 5 | 4 | 3 | 2 | 1 | 0 |
|---------------------|-----|---|----|-------|---|--------------------------|--------------------------|--------------------------|---|
| Name | SWR | 7 | RB | ADDR0 | | 3 | 2 | 1 | 0 |
| OCR | 0 | 1 | 1 | 0 | 0 | OCR.OCTn | | | |
| RCD | 1 | 1 | 1 | 0 | 0 | RCD.RCDn | | | |
| KRC | 0 | 1 | 1 | 0 | 1 | KRC.KRCn | | | |
| PCS | 1 | 1 | 1 | 0 | 1 | PCS.PCCn | PCS.CLCS | PCS.SRCS | |

Serial Peripheral Interface (SPI)

Table 35 Configuration Registers - Write Commands RB-1

| Bit | | 7 | 6 | 5 | 4 | 3 | 2 | 1 | 0 |
|------|-----|---|----|-------|---|------------------------|----------|----------|----------|
| Name | SWR | 7 | RB | ADDR0 | | 3 | 2 | 1 | 0 |
| HWCR | 0 | 1 | 1 | 1 | 0 | 0 | HWCR.COL | HWCR.RST | HWCR.CLC |
| ICS | 1 | 1 | 1 | 1 | 0 | ICS.CSRn ¹⁾ | | | |
| DCR | x | 1 | 1 | 1 | 1 | DCR.SWR | DCR.MUX | | |

1) See [Chapter 10.8](#) for details on checksum calculation.

Table 36 Configuration Registers - Read Commands

| Bit | | 7 | 6 | 5 | 4 | 3 | 2 | 1 | 0 |
|------|---|---|---|---|---|-------|---|---|---|
| Name | | 7 | 6 | 5 | 4 | ADDR1 | | | |
| OUT | 0 | | x | x | x | 0 | 0 | 0 | 0 |
| RCS | 0 | | x | x | x | 1 | 0 | 0 | 0 |
| SRC | 0 | | x | x | x | 1 | 0 | 0 | 1 |
| OCR | 0 | | x | x | x | 0 | 1 | 0 | 0 |
| RCD | 0 | | x | x | x | 1 | 1 | 0 | 0 |
| KRC | 0 | | x | x | x | 0 | 1 | 0 | 1 |
| PCS | 0 | | x | x | x | 1 | 1 | 0 | 1 |
| HWCR | 0 | | x | x | x | 0 | 1 | 1 | 0 |
| ICS | 0 | | x | x | x | 1 | 1 | 1 | 0 |
| DCR | 0 | | x | x | x | x | 1 | 1 | 1 |

Serial Peripheral Interface (SPI)

Table 37 Configuration Registers - Responses

| Bit | 7 | 6 | 5 | 4 | 3 | 2 | 1 | 0 | |
|------|---|---|---|---|-------------|------------|------------|---|-----------------|
| Name | 7 | 6 | 5 | 4 | 3 | 2 | 1 | 0 | Default |
| OUT | 1 | 0 | 0 | x | OUT . OUTn | | | | 80 _H |
| RCS | 1 | 0 | 0 | 0 | 0 | RCS . RCSn | | | 80 _H |
| SRC | 1 | 0 | 0 | 1 | SRC . SRCn | | | | 90 _H |
| OCR | 1 | 1 | 0 | 0 | OCR . OCTn | | | | C0 _H |
| RCD | 1 | 1 | 0 | 0 | RCD . RCDn | | | | C0 _H |
| KRC | 1 | 1 | 0 | 1 | KRC . KRCn | | | | D0 _H |
| PCS | 1 | 1 | 0 | 1 | PCS . PCCn | | 0 | 0 | D0 _H |
| HWCR | 1 | 1 | 1 | 0 | 0 | HWCR . COL | HWCR . SLP | 0 | E2 _H |
| ICS | 1 | 1 | 1 | 0 | ICS . INSTn | | | | E0 _H |
| DCR | 1 | 1 | 1 | 1 | DCR . SWR | DCR . MUX | | | F7 _H |

| Field | Bits | Type | Description |
|--------------------------|------|------|---|
| RB | 6 | rw | Register Bank 0 _B (default) Read/write to OUT/RCS register 1 _B Read/write to other registers |
| OUT . OUTn n = 3 to 0 | 3:0 | rw | Output Control Register of Channel n 0 _B (default) channel is OFF 1 _B Channel is ON |
| RCS . RCSn n = 2 to 0 | 2:0 | r | Restart Counter Status of Channel selected via MUX 000 _B (default) Restart counter value = 0 001 _B Restart counter value = 1 010 _B Restart counter value = 2 011 _B Restart counter value = 3 100 _B Restart counter value = 4 101 _B Restart counter value = 5 110 _B Restart counter value = 6 111 _B Restart counter value = 7 |
| SRC . SRCn n = 3 to 0 | 3:0 | r | Set Slew Rate control for Channel n (read only) 0 _B (default) Normal Slew Rate 1 _B Adjusted Slew Rate |
| OCR . OCTn n = 3 to 0 | 3:0 | rw | Set Overcurrent Level for Channel n 0 _B (default) High level of overcurrent threshold $I_{L(OVL0)}$ 1 _B Low level of overcurrent threshold $I_{L(OVL2)}$ |
| RCD . RCDn n = 3 to 0 | 3:0 | rw | Set Restart Strategy for Channel n 0 _B (default) Automatic restart mode 1 _B Latch mode |
| KRC . KRCn n = 3 to 0 | 3:0 | rw | Set Current Sense Ratio Range for Channel n 0 _B (default) High range of current sense ratio 1 _B Low range of current sense ratio |

Serial Peripheral Interface (SPI)

| Field | Bits | Type | Description |
|---------------------------|------|------|--|
| PCS . SRCS | 0 | w | Set Slew Rate control for Channel selected by DCR . MUX 0 _B (default) Normal Slew Rate 1 _B Adjusted Slew Rate |
| PCS . CLCS | 1 | w | Clear Restart Counters and Latches for Channel selected by DCR . MUX 0 _B (default) Restart counters and latches are untouched 1 _B Restart counters and latches are reset |
| PCS . PCCn n = 1 to 0 | 3:2 | rw | Parallel Channel Configuration 00 _B (default) Channels are operating independent 01 _B OUT0 + OUT3 are in parallel configuration 10 _B OUT1 + OUT2 are in parallel configuration 11 _B OUT0 + OUT3 and OUT1 + OUT2 are in parallel configuration |
| HWCR . CLC | 0 | w | Clear Restart Counters and Latches 0 _B (default) Restart counters and latches are untouched 1 _B Restart counters and latches are reset for all channels |
| HWCR . RST | 1 | w | Reset Command 0 _B (default) Normal operation 1 _B Execute reset command |
| HWCR . SLP | 1 | r | Sleep Mode 0 _B Device is awake 1 _B (default) DCR . MUX = 111 _B |
| HWCR . COL | 2 | rw | Input Combinatorial Logic Configuration 0 _B (default) Input signal OR-combined with according OUT register bit ¹⁾ 1 _B Input signal AND-combined with according OUT register bit |
| ICS . CSRn n = 3 to 0 | 3:0 | w | Checksum Input Register 4 bit Checksum is written to this register |
| ICS . INSTn n = 3 to 0 | 3:0 | r | Input Status Monitor Channel n 0 _B (default) Input signal is “low” 1 _B Input signal is “high” |

Serial Peripheral Interface (SPI)

| Field | Bits | Type | Description |
|-----------|------|------|--|
| DCR . MUX | 2:0 | rw | <p>Set Current Sense Multiplexer Configuration in OFF state</p> <p>000_B IS pin is “high impedance” 001_B IS pin is “high impedance” 010_B IS pin is “high impedance” 011_B IS pin is “high impedance” 100_B IS pin is “high impedance” 101_B Current sense verification mode 110_B IS pin is “high impedance” 111_B Sleep mode (IS pin is “high impedance”)</p> <p>Set Multiplexer Configuration in ON state</p> <p>000_B Current sense of channel 0 is routed to IS pin 001_B Current sense of channel 1 is routed to IS pin 010_B Current sense of channel 2 is routed to IS pin 011_B Current sense of channel 3 is routed to IS pin 100_B IS pin is “high impedance” 101_B Current sense verification mode 110_B IS pin is “high impedance” 111_B Sleep mode (IS pin is “high impedance”)</p> |
| DCR . SWR | 3 | rw | <p>Switch Register</p> <p>0_B (default) Registers OUT, OCR, KRC, HWCR and DCR can be written 1_B Registers OUT, RCD, PCS, ICS and DCR can be written</p> |

1) In Limp Home mode (LHI pin set to “high”) the combinatorial logic is switched to OR-mode.

Serial Peripheral Interface (SPI)

10.8 SPI Checksum Verification

BTS72220-4ESA offers a simple parity check to identify unexpected content or unintended changes of configuration registers. For the checksum calculation a subset of the configuration bits is used, which is expected not to be changed periodically. The checksum calculation is an easy column parity calculation. The configuration bits which are used for the calculation are shown in **Table 39**. The SPI master writes the result to **ICS.CSRn**. After the 4bit checksum is written to **ICS** register, the device is doing once the comparison and the result can be read within the next **STDDIAG** frame in the bit **STDDIAG.CSV**. The **STDDIAG.CSV** bit is cleared with the next **STDDIAG** readout. In case the **ICS** register is not written, the checksum comparison is disabled and the bit **STDDIAG.CSV** = 0_B. If Limp Home mode is entered after **ICS.CSRn** is written but before **STDDIAG.CSV** is read, the checksum verification is not valid. Same applies in case **STDDIAG.TER** and **STDDIAG.VSMON** are set to 1_B. In these cases checksum verification result shall be discarded.

Table 38 Conventions for parity calculation

| Number of '1' in a column | Result with EVEN-parity | Result with ODD-parity |
|---------------------------|-------------------------|------------------------|
| EVEN | 0 | 1 |
| ODD | 1 | 0 |

Table 39 Checksum calculation bit matrix

| Name | 3 | 2 | 1 | 0 |
|-----------------|------|------|------|------|
| OCR | OCT3 | OCT2 | OCT1 | OCT0 |
| RCD | RCD3 | RCD2 | RCD1 | RCD0 |
| KRC | KRC3 | KRC2 | KRC1 | KRC0 |
| SRC | SRC3 | SRC2 | SRC1 | SRC0 |
| HWCR/PCS | 0 | COL | PCC | PCC0 |
| Parity | even | odd | even | odd |
| ICS | CSR3 | CSR2 | CSR1 | CSR0 |

Table 40 Checksum calculation bit matrix example

| Name | 3 | 2 | 1 | 0 |
|-----------------|------|-----|------|-----|
| OCR | 0 | 1 | 0 | 0 |
| RCD | 1 | 0 | 0 | 0 |
| KRC | 0 | 1 | 1 | 0 |
| SRC | 0 | 0 | 1 | 0 |
| HWCR/PCS | 0 | 0 | 0 | 0 |
| Parity | even | odd | even | odd |
| ICS | 1 | 1 | 0 | 1 |

Serial Peripheral Interface (SPI)

10.9 SPI command quick list

A summary of the most used SPI commands (read and write operations) is shown in Table 154.

Table 41 SPI command quick list

| Name | “read” command ¹⁾ | “write” command ²⁾ | SWR ³⁾ |
|----------------|------------------------------|-------------------------------|-------------------|
| OUT | 0xxx0000 _B | 10dddddd _B | x |
| RCS | 0xxx1000 _B | | |
| SRC | 0xxx1001 _B | | |
| OCR | 0xxx0100 _B | 1100dddd _B | 0 |
| RCD | 0xxx1100 _B | 1100dddd _B | 1 |
| KRC | 0xxx0101 _B | 1101dddd _B | 0 |
| PCS | 0xxx1101 _B | 1101dddd _B | 1 |
| HWCR | 0xxx0110 _B | 1110dddd _B | 0 |
| ICS | 0xxx1110 _B | 1110dddd _B | 1 |
| DCR | 0xxxx111 _B | 1111dddd _B | x |
| WRNDIAG | 0xxx0001 _B | | |
| STDDIAG | 0xxx0010 _B | | |
| ERRDIAG | 0xxx0011 _B | | |

1) x = don't care bits.

2) d = data bits.

3) **DCR . SWR** bit needs to be set for writing a register. For reading a register the **DCR . SWR** bit is part of the read address.

Application Information

11 Application Information

Note: The following information is given as a hint for the implementation of the device only and shall not be regarded as a description or warranty of a certain functionality, condition or quality of the device.

11.1 Application setup - SPOC™

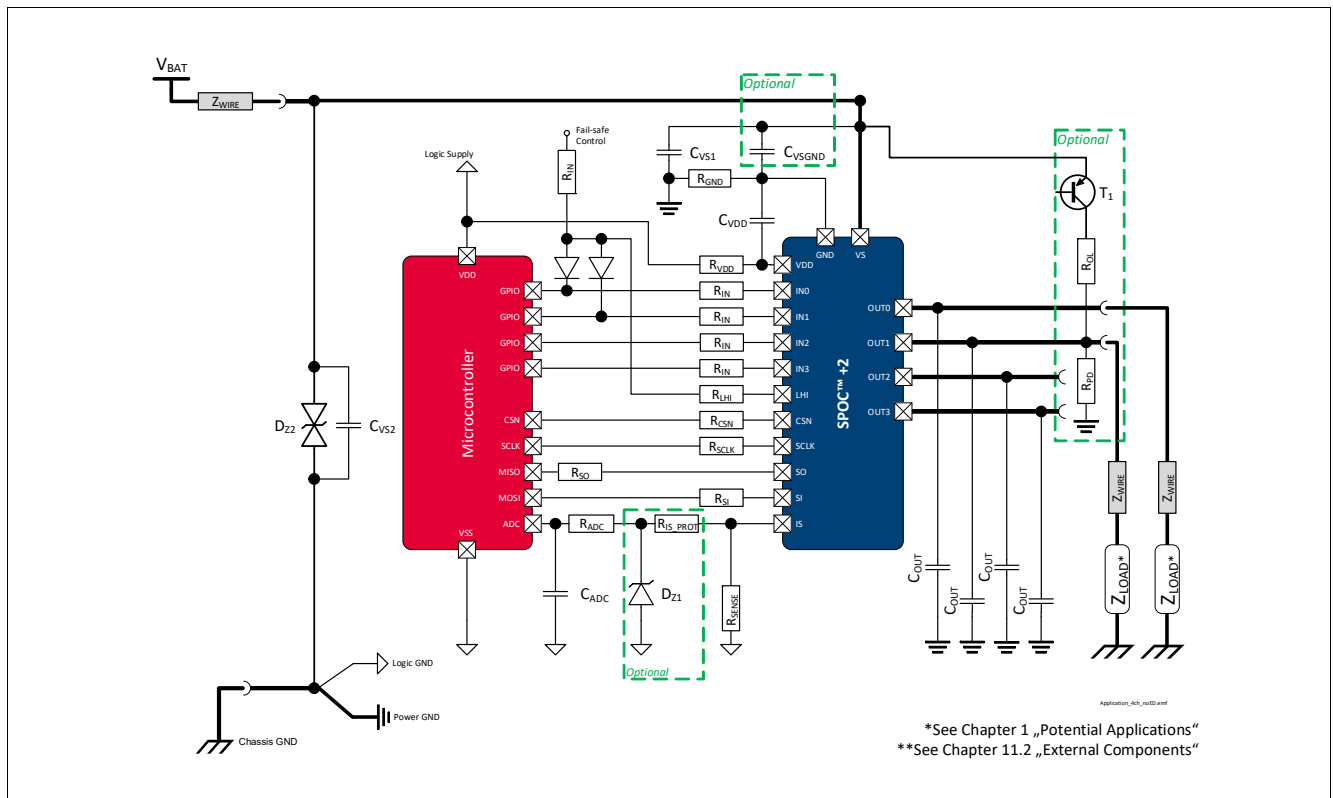


Figure 46 Application Diagram

Note: This is a very simplified example of an application circuit. The function must be verified in the real application.

Application Information

11.2 External Components

Table 42 Suggested Component values

| Reference | Value | Purpose |
|----------------|----------------|---|
| R_{VDD} | 470 Ω | Device logic protection |
| R_{IN} | 4.7 k Ω | Protection of the microcontroller during overvoltage, reverse polarity Guarantee BTS72220-4ESA output OFF during Loss of Ground |
| R_{IS_PROT} | 4.7 k Ω | Protection resistor for overvoltage, reverse polarity and Loss of Ground Value to be tuned with μ C specification |
| R_{SENSE} | 1.2 k Ω | Sense resistor |
| R_{ADC} | 4.7 k Ω | μ C-ADC voltage spikes filtering |
| R_{CSN} | 1.2 k Ω | Protection of the μ C during overvoltage and reverse polarity |
| R_{SCLK} | 1.2 k Ω | Protection of the μ C during overvoltage and reverse polarity |
| R_{SO} | 1.2 k Ω | Protection of the μ C during overvoltage and reverse polarity |
| R_{SI} | 1.2 k Ω | Protection of the μ C during overvoltage and reverse polarity |
| R_{LHI} | 4.7 k Ω | Protection of the μ C during overvoltage and reverse polarity |
| C_{ADC} | 220 pF | μ C-ADC voltage spikes filtering A time constant ($R_{ADC} * C_{ADC}$) longer than 1 μ s is recommended |
| C_{VDD} | 470 nF | Digital supply voltage spikes filtering and for improved robustness against battery voltage transients |
| C_{VS1} | 100 nF | Battery voltage spikes filtering |
| C_{VS2} | - | Filtering / buffer capacitor located at VBAT connector |
| C_{VSGND} | 22 nF | Battery voltage spikes filtering |
| C_{OUT} | 10 nF | For improved electromagnetic compatibility (EMC) |
| R_{GND} | 47 Ω | Ground voltage spikes filtering for improved robustness against battery voltage transients |
| T_1 | BC 807 | Switch the battery voltage for Open Load in OFF diagnosis |
| R_{PD} | 47 k Ω | Output polarization (pull-down) Ensure polarization of BTS72220-4ESA output to distinguish between Open Load and Short to V_S in OFF diagnosis |
| R_{OL} | 1.5 k Ω | Output polarization (pull-up) Ensure polarization of BTS72220-4ESA output during Open Load in OFF diagnosis |

Note: The suggested component values above are determined for typical applications with 5 V microcontrollers. Based on the application circuit and the used components connected to BTS72220-4ESA, it could be necessary to adjust the recommended values to stay below the maximum ratings for all components under all operating conditions (e.g. reverse battery, transients on battery, etc.).

Application Information

11.3 Further Application Information

- Please contact us for information regarding the Pin FMEA
- For further information you may contact <http://www.infineon.com/>

Package Outlines

12 Package Outlines

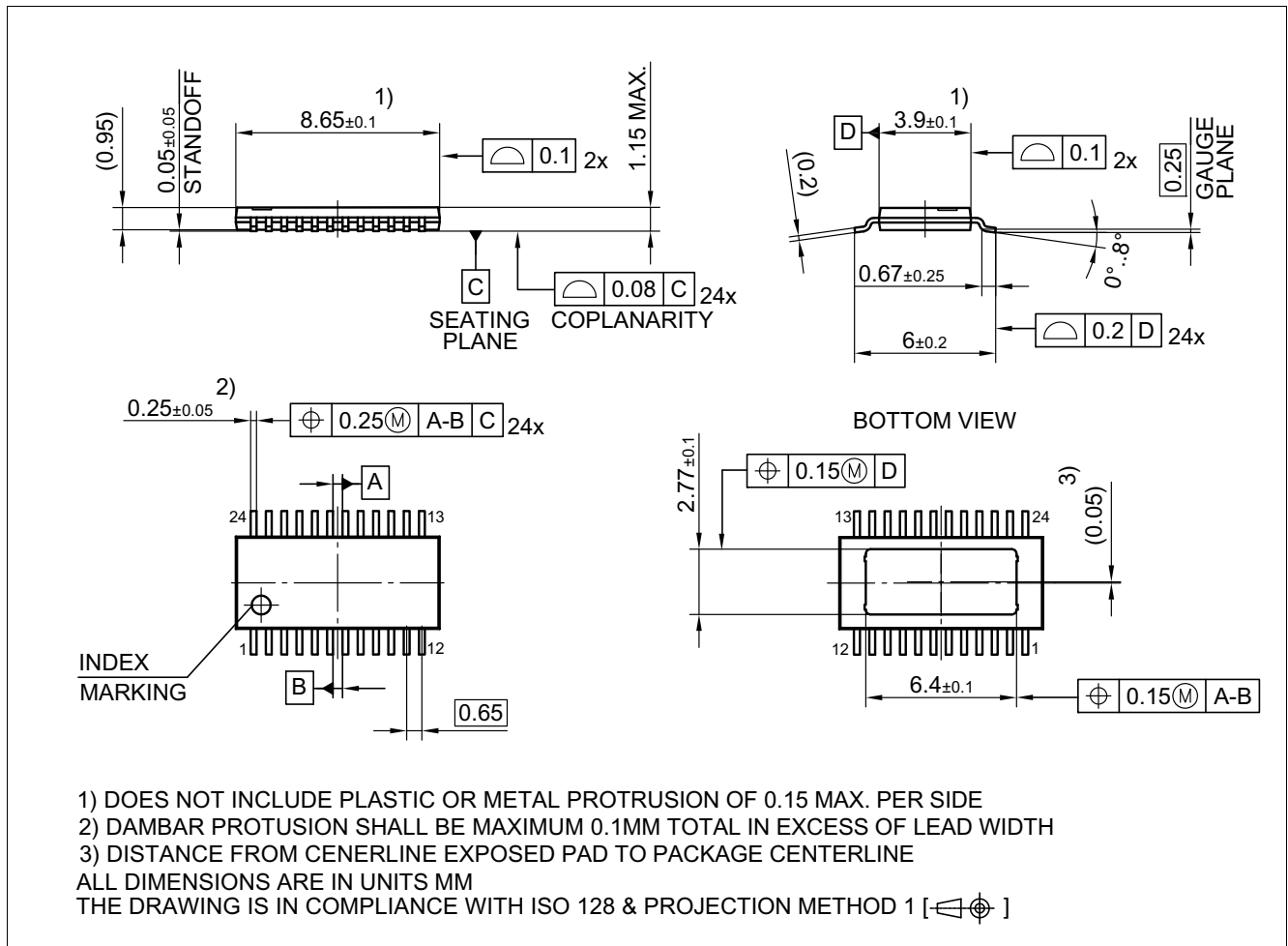


Figure 47 PG-TSDSO-24 (Thin (Slim) Dual Small Outline 24 pins) Package drawing

Package Outlines

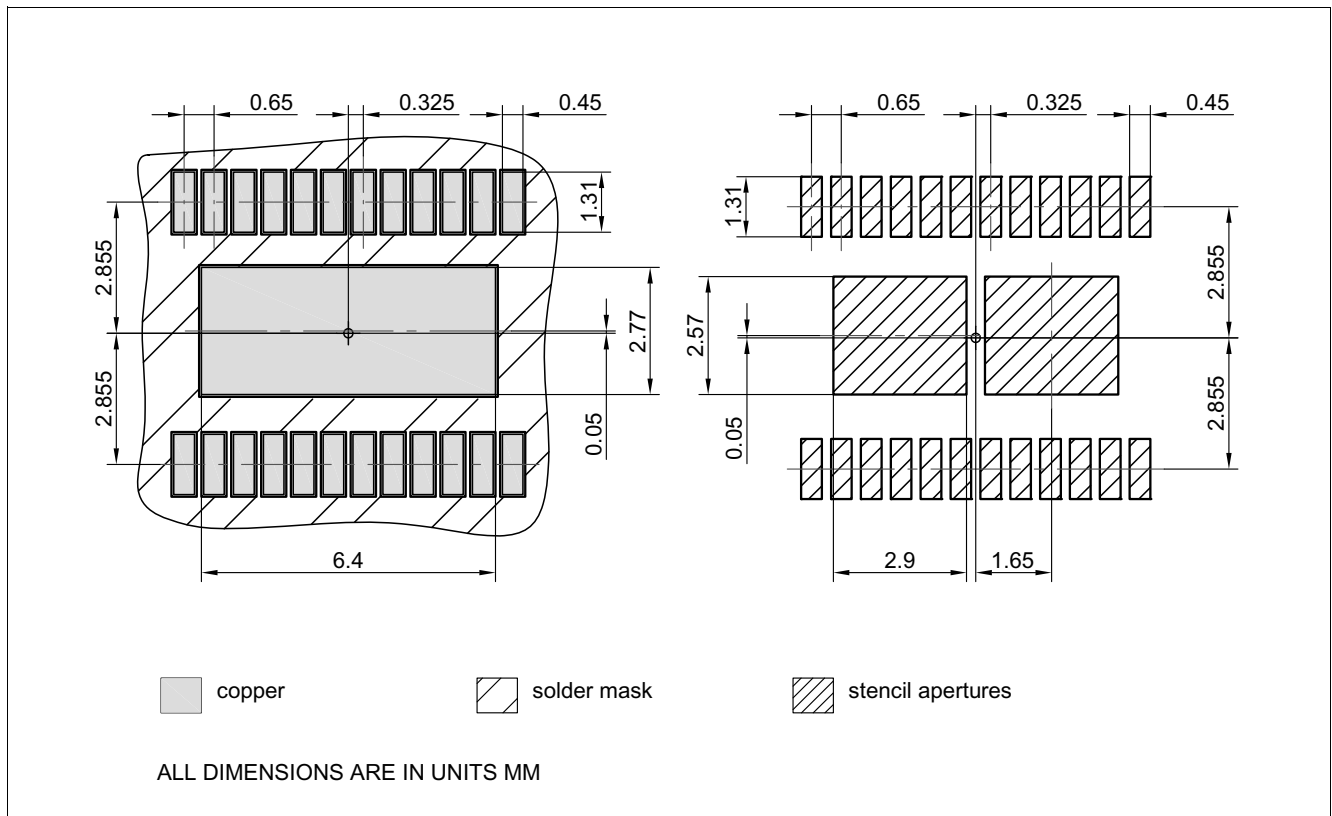


Figure 48 PG-TSDSO-24 (Thin (Slim) Dual Small Outline 24 pins) Package pads and stencil

Green Product (RoHS compliant)

To meet the world-wide customer requirements for environmentally friendly products and to be compliant with government regulations the device is available as a green product. Green products are RoHS-Compliant (i.e Pb-free finish on leads and suitable for Pb-free soldering according to IPC/JEDEC J-STD-020).

Further information on packages

<https://www.infineon.com/packages>

Revision History

13 Revision History

Table 43 BTS72220-4ESA - List of changes

| Revision | Changes |
|--------------------------------|--|
| <p>1.10, 2021-03-23</p> | <p>General: Datasheet quality improved General: updated (ReverSave™ → ReverseON) General: updated (channel description) Icon “PRO-SIL™ ISO 26262-ready” added to front page Chapter 1 updated (Package description) Chapter 1 updated (Potential Applications updated and Product Validation added) Harmonization of Application Diagram (Figure 1, Figure 46) P_4.4.0.4, P_4.4.0.5 updated (Typ. value and Max. value) P_6.4.0.10 updated (Note or Test Condition) P_6.4.1.5 updated (Max. value updated and footnote added) P_6.5.30.2 added P_9.6.0.6 updated parameter name P_9.6.0.17 added P_9.6.2.11 footnote removed Figure 14 and Figure 16 updated Figure 28 and Figure 29 updated Figure 33 updated Figure 37 and Figure 38 updated Chapter 10.4 typical value for VDD harmonized Chapter 11 updated (figures and descriptions)</p> |
| <p>1.00, 2018-06-11</p> | <p>Data Sheet available</p> |

Table of Contents

Table of Contents

| | | |
|----------|--|-----------|
| 1 | Overview | 1 |
| 2 | Block Diagram and Terms | 4 |
| 2.1 | Block Diagram | 4 |
| 2.2 | Terms | 5 |
| 3 | Pin Configuration | 6 |
| 3.1 | Pin Assignment | 6 |
| 3.2 | Pin Definitions and Functions | 7 |
| 4 | General Product Characteristics | 8 |
| 4.1 | Absolute Maximum Ratings - General | 8 |
| 4.2 | Absolute Maximum Ratings - Power Stages | 10 |
| 4.2.1 | Power Stages - 5.5 mΩ channels | 10 |
| 4.2.2 | Power Stages - 13.5 mΩ channels | 10 |
| 4.3 | Functional Range | 11 |
| 4.4 | Thermal Resistance | 11 |
| 4.4.1 | PCB Setup | 12 |
| 4.4.2 | Thermal Impedance | 13 |
| 5 | Logic Pins | 14 |
| 5.1 | Input Pins (INn) | 14 |
| 5.2 | Advanced Features Pins | 16 |
| 5.2.1 | SPI Pins | 16 |
| 5.2.2 | Limp Home Input (LHI) Pin | 16 |
| 5.3 | Electrical Characteristics Logic Pins | 17 |
| 5.4 | Electrical Characteristics Logic Pins - Advanced Features | 17 |
| 6 | Power Supply | 20 |
| 6.1 | Operation Modes | 21 |
| 6.1.1 | Unsupplied | 23 |
| 6.1.2 | Power-up | 23 |
| 6.1.3 | Sleep mode | 23 |
| 6.1.4 | Stand-by mode | 23 |
| 6.1.5 | Ready mode | 23 |
| 6.1.6 | Active mode | 23 |
| 6.1.7 | Limp Home mode | 23 |
| 6.1.8 | Limp Home Active mode | 24 |
| 6.1.9 | Definition of Operation modes transition times | 25 |
| 6.2 | Undervoltage on V_S | 25 |
| 6.3 | Reset Condition | 26 |
| 6.4 | Electrical Characteristics Power Supply | 27 |
| 6.4.1 | Electrical Characteristics Power Supply - SPOC™ | 28 |
| 6.5 | Electrical Characteristics Power Supply - Product Specific | 29 |
| 6.5.1 | BTS72220-4ESA | 29 |
| 7 | Power Stages | 31 |
| 7.1 | Output ON-State Resistance | 31 |
| 7.2 | Switching loads | 31 |
| 7.2.1 | Switching Resistive Loads | 31 |

Table of Contents

| | | |
|-----------|---|-----------|
| 7.2.2 | Switching Inductive Loads | 32 |
| 7.2.3 | Output Voltage Limitation | 33 |
| 7.2.4 | Switching Capacitive Loads | 33 |
| 7.3 | Advanced Switching Characteristics | 34 |
| 7.3.1 | Inverse Current behavior | 34 |
| 7.3.2 | Switching Channels in Parallel | 35 |
| 7.3.3 | Cross Current robustness with H-Bridge configuration | 36 |
| 7.4 | Electrical Characteristics Power Stages | 37 |
| 7.4.1 | Electrical Characteristics Power Stages - SPOC™ | 37 |
| 7.5 | Electrical Characteristics - Power Output Stages | 39 |
| 7.5.1 | Power Output Stage - 5.5 mΩ | 39 |
| 7.5.2 | Power Output Stage - 13.5 mΩ | 40 |
| 8 | Protection | 43 |
| 8.1 | Overtemperature Protection | 43 |
| 8.2 | Overload Protection | 45 |
| 8.3 | Protection and Diagnosis in case of Fault | 45 |
| 8.3.1 | Restart Strategy | 46 |
| 8.4 | Additional protections | 47 |
| 8.4.1 | Reverse Polarity Protection | 47 |
| 8.4.2 | Overvoltage Protection | 48 |
| 8.5 | Protection against loss of connection | 49 |
| 8.5.1 | Loss of Battery and Loss of Load | 49 |
| 8.5.2 | Loss of Ground | 49 |
| 8.6 | Electrical Characteristics Protection | 50 |
| 8.6.1 | Electrical Characteristics Protection - SPOC™ | 50 |
| 8.7 | Electrical Characteristics Protection - Power Output Stages | 51 |
| 8.7.1 | Protection Power Output Stage - 5.5 mΩ | 51 |
| 8.7.2 | Protection Power Output Stage - 13.5 mΩ | 52 |
| 9 | Diagnosis | 53 |
| 9.1 | Overview | 54 |
| 9.2 | Diagnosis Word at SPI | 55 |
| 9.3 | Diagnosis in ON state | 55 |
| 9.3.1 | Current Sense (k_{ILIS}) | 55 |
| 9.3.2 | Current Sense Multiplexer | 56 |
| 9.4 | Diagnosis in OFF state | 57 |
| 9.4.1 | Switch Bypass Monitor | 57 |
| 9.5 | SENSE Timings | 57 |
| 9.6 | Electrical Characteristics Diagnosis | 58 |
| 9.6.1 | Electrical Characteristics Diagnosis - SPOC™ | 59 |
| 9.7 | Electrical Characteristics Diagnosis - Power Output Stages | 60 |
| 9.7.1 | Diagnosis Power Output Stage - 5.5 mΩ | 60 |
| 9.7.2 | Diagnosis Power Output Stage - 13.5 mΩ | 62 |
| 10 | Serial Peripheral Interface (SPI) | 64 |
| 10.1 | SPI Signal Description | 64 |
| 10.2 | Daisy Chain Capability | 65 |
| 10.3 | Timing Diagrams | 66 |

Table of Contents

| | | |
|-----------|---|-----------|
| 10.4 | Electrical Characteristics | 67 |
| 10.5 | SPI Protocol | 68 |
| 10.6 | SPI Diagnosis Registers | 71 |
| 10.6.1 | Diagnosis Registers - Read Commands | 71 |
| 10.6.2 | Diagnosis Registers - Responses | 71 |
| 10.7 | SPI Configuration Registers | 72 |
| 10.8 | SPI Checksum Verification | 77 |
| 10.9 | SPI command quick list | 78 |
| 11 | Application Information | 79 |
| 11.1 | Application setup - SPOC™ | 79 |
| 11.2 | External Components | 80 |
| 11.3 | Further Application Information | 81 |
| 12 | Package Outlines | 82 |
| 13 | Revision History | 84 |
| | Table of Contents | 85 |

Trademarks

All referenced product or service names and trademarks are the property of their respective owners.

Edition 2021-03-23

Published by

Infineon Technologies AG

81726 Munich, Germany

© 2021 Infineon Technologies AG.

All Rights Reserved.

Do you have a question about any aspect of this document?

Email: erratum@infineon.com

**Document reference
Z8F65320941**

IMPORTANT NOTICE

The information given in this document shall in no event be regarded as a guarantee of conditions or characteristics ("Beschaffheitsgarantie").

With respect to any examples, hints or any typical values stated herein and/or any information regarding the application of the product, Infineon Technologies hereby disclaims any and all warranties and liabilities of any kind, including without limitation warranties of non-infringement of intellectual property rights of any third party.

In addition, any information given in this document is subject to customer's compliance with its obligations stated in this document and any applicable legal requirements, norms and standards concerning customer's products and any use of the product of Infineon Technologies in customer's applications.

The data contained in this document is exclusively intended for technically trained staff. It is the responsibility of customer's technical departments to evaluate the suitability of the product for the intended application and the completeness of the product information given in this document with respect to such application.

For further information on technology, delivery terms and conditions and prices, please contact the nearest Infineon Technologies Office (www.infineon.com).

WARNINGS

Due to technical requirements products may contain dangerous substances. For information on the types in question please contact your nearest Infineon Technologies office.

Except as otherwise explicitly approved by Infineon Technologies in a written document signed by authorized representatives of Infineon Technologies, Infineon Technologies' products may not be used in any applications where a failure of the product or any consequences of the use thereof can reasonably be expected to result in personal injury.