

# OV2718 full HD (1080p) product brief



## Best-In-Class Low-Light Sensitivity and 1080p High Definition Video for Mainstream Security Applications



available in  
a lead-free  
package

OmniVision's OV2718 is a native 16:9 high definition (HD) CameraChip™ sensor that delivers best-in-class low-light sensitivity, high dynamic range (HDR), and 1080p HD video. These capabilities make the OV2718 an ideal camera solution for mainstream security and surveillance systems.

Built on advanced 2.8-micron OmniBSI-2™ pixel architecture, the sensor can record 1080p HD video at 30 frames per second (fps) in HDR mode. The 1/2.9-inch

OV2718 leverages OmniVision's in-pixel HDR technology to capture exceptional images and video when recording in high- and low-light environments, a critical benefit for security and surveillance cameras.

The OV2718 is available in a 6.5 x 5.7 mm chip scale package (CSP).

Find out more at [www.ovt.com](http://www.ovt.com).



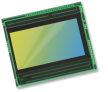
## Applications

- Security and Surveillance Cameras

## Product Features

- support for image size: 1920x1080, VGA, QVGA and any cropped size
- high dynamic range
- high sensitivity
- low power consumption
- image sensor processor functions: lens correction, defective pixel cancelation, and automatic black level correction
- supported output formats: RAW
- horizontal and vertical sub-sampling
- SCCB for register programming
- high speed serial data transfer with MIPI CSI-2/LVDS
- parallel 12-bit DVP output
- external frame synchronization capability
- embedded temperature sensor
- one time programmable (OTP) memory

# OV2718



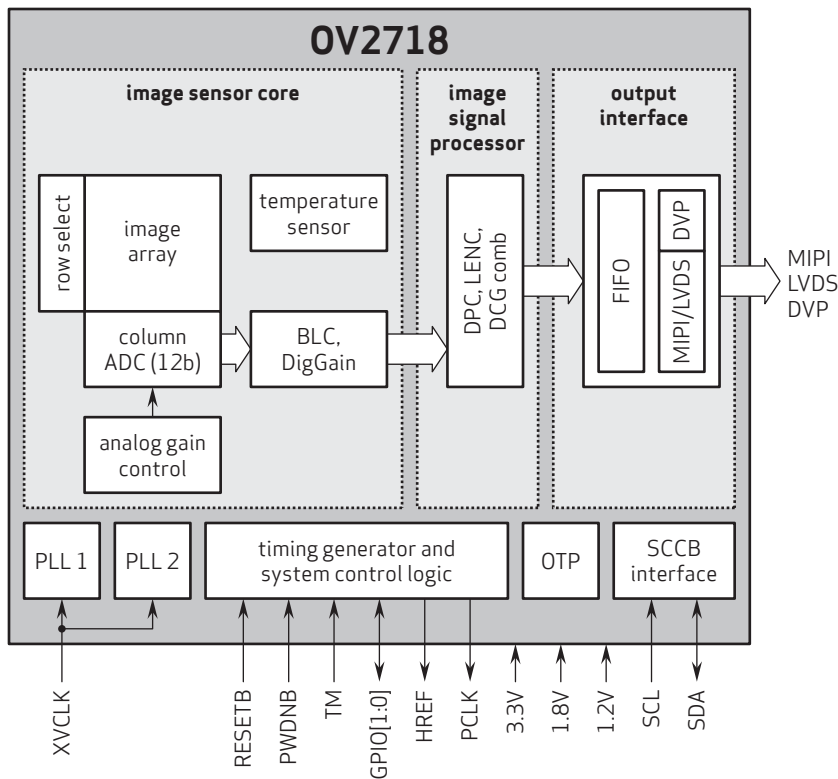
## Ordering Information

- OV02718-H77A-1C**  
(color, lead-free, 77-pin CSP5)

## Product Specifications

- active array size:** 1920 x 1080
- power supply:**
  - analog: 3.14 - 3.47V
  - digital: 1.14 - 1.26V
  - DVDD: 1.7 - 1.9V
  - AVDD: 1.7 - 1.9V
- temperature range:**
  - operating: -30°C to +85°C junction temperature
  - stable: 0°C to +60°C junction temperature
- output interfaces:** up to 4-lane MIPI CSI-2/LVDS, 12-bit DVP
- lens size:** 1/2.9"
- lens chief ray angle:** 9°
- output formats:** linear - 12-bit RAW; HDR - 2x12-bit DCG RAW, 16-bit combined DCG, 12-bit compressed combined DCG
- input clock frequency:** 6 - 36 MHz
- scan mode:** progressive
- maximum image transfer rate:** 30 fps
- shutter:** rolling shutter
- pixel size:** 2.8 μm x 2.8 μm
- image area:** 5482.35 μm x 3202 μm
- package dimensions:** 6534 μm x 5724 μm

## Functional Block Diagram



4275 Burton Drive  
Santa Clara, CA 95054  
USA

Tel: + 1 408 567 3000  
Fax: + 1 408 567 3001  
www.ovt.com

OmniVision reserves the right to make changes to their products or to discontinue any product or service without further notice. OmniVision, the OmniVision logo and OmniPixel are registered trademarks of OmniVision Technologies, Inc. OmniBSI-2 is a trademark of OmniVision Technologies, Inc. All other trademarks are the property of their respective owners.



**OmniVision**