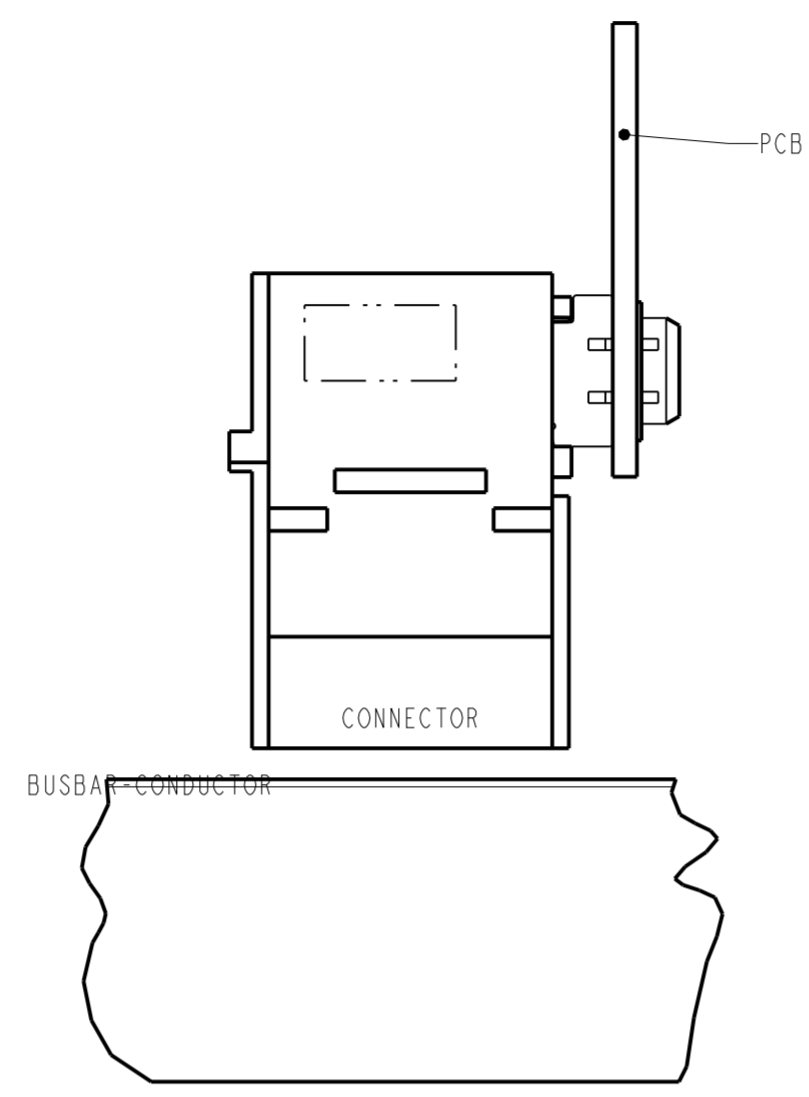
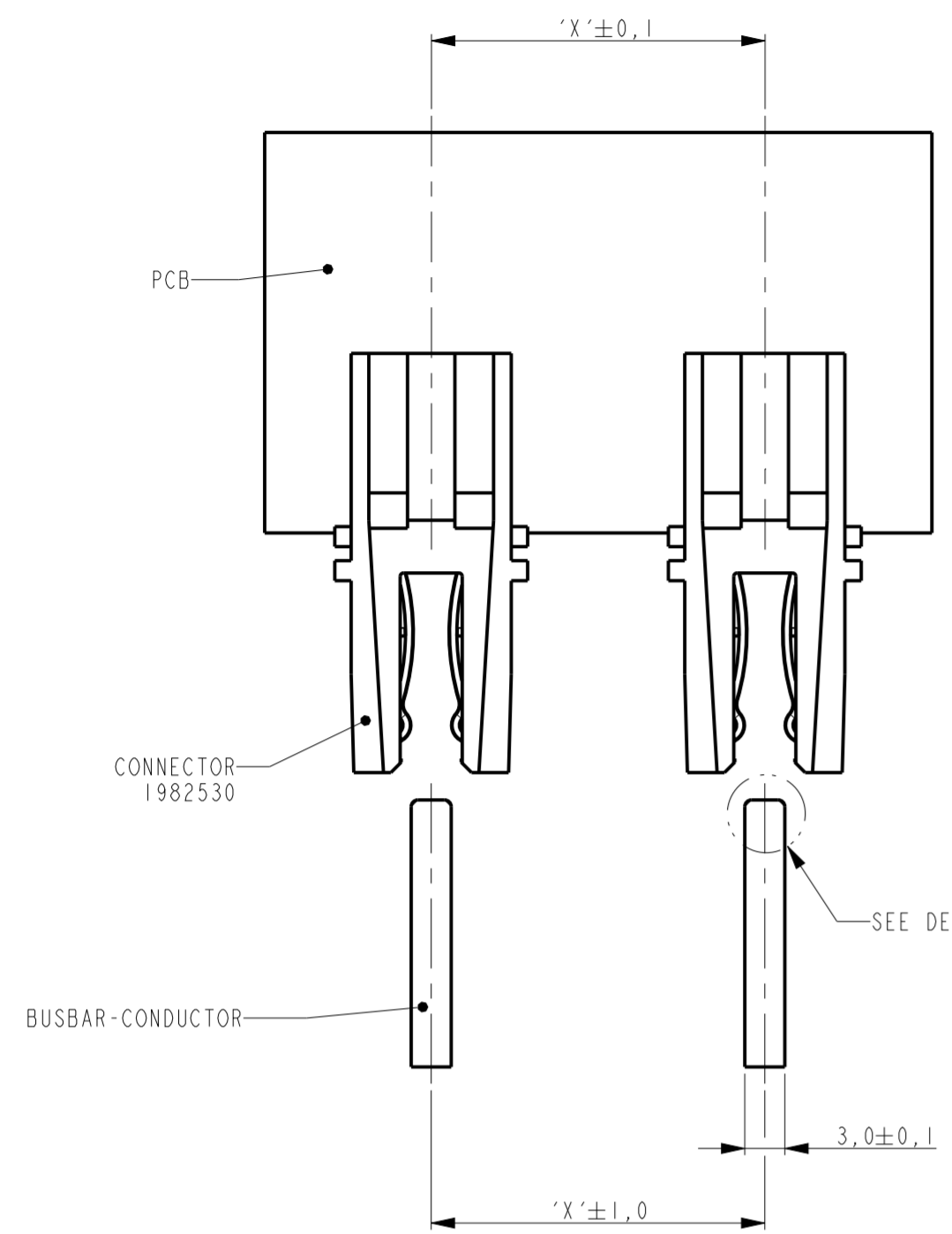
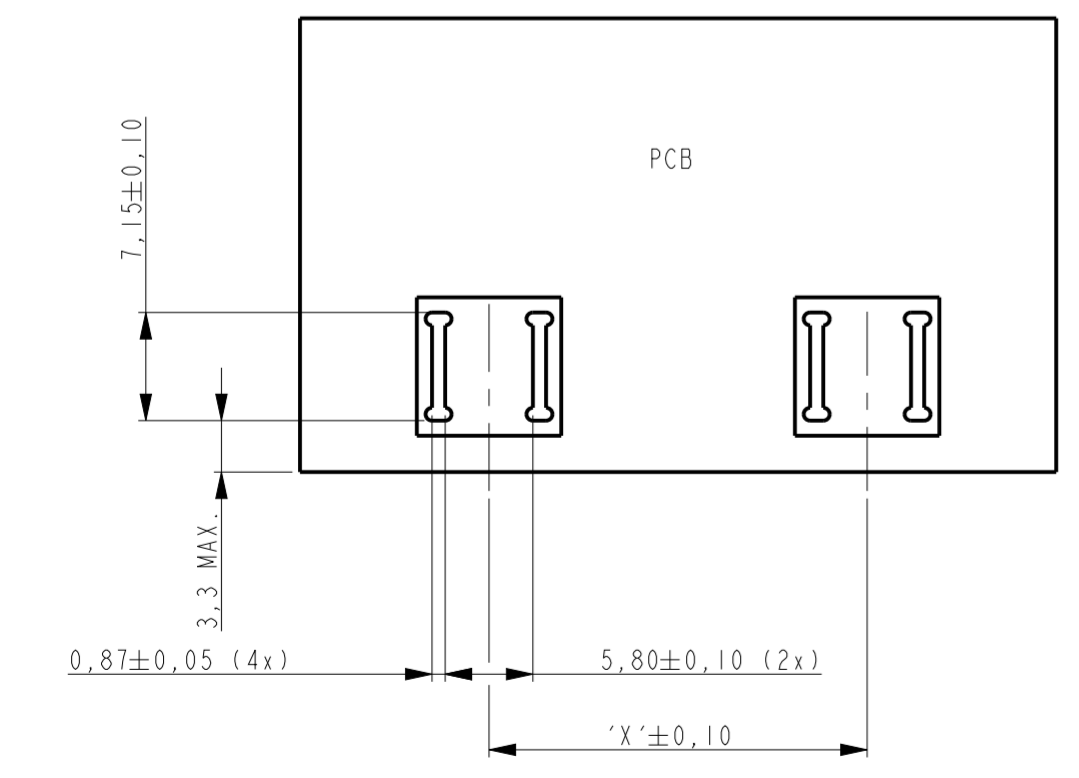


THIS DRAWING IS UNPUBLISHED. RELEASED FOR PUBLICATION
 © COPYRIGHT - BY - TE CONNECTIVITY ALL RIGHTS RESERVED.

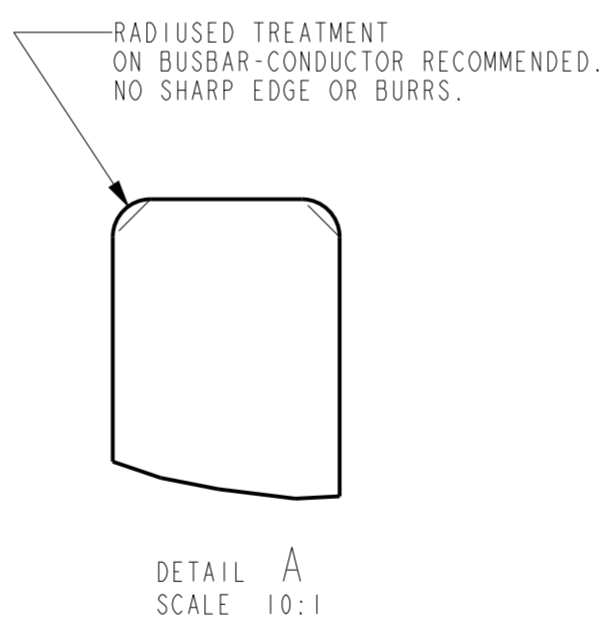
LOC	DIST	REVISIONS					
ES	00	P	LTR	DESCRIPTION	DATE	DWN	APVD
		A3		REV PER ECR-15-005882	20APR2015	ML	SZ
		A5		REV PER ECR-20-017888 RELEASE P/N -2	09MAR2021	ML	SH



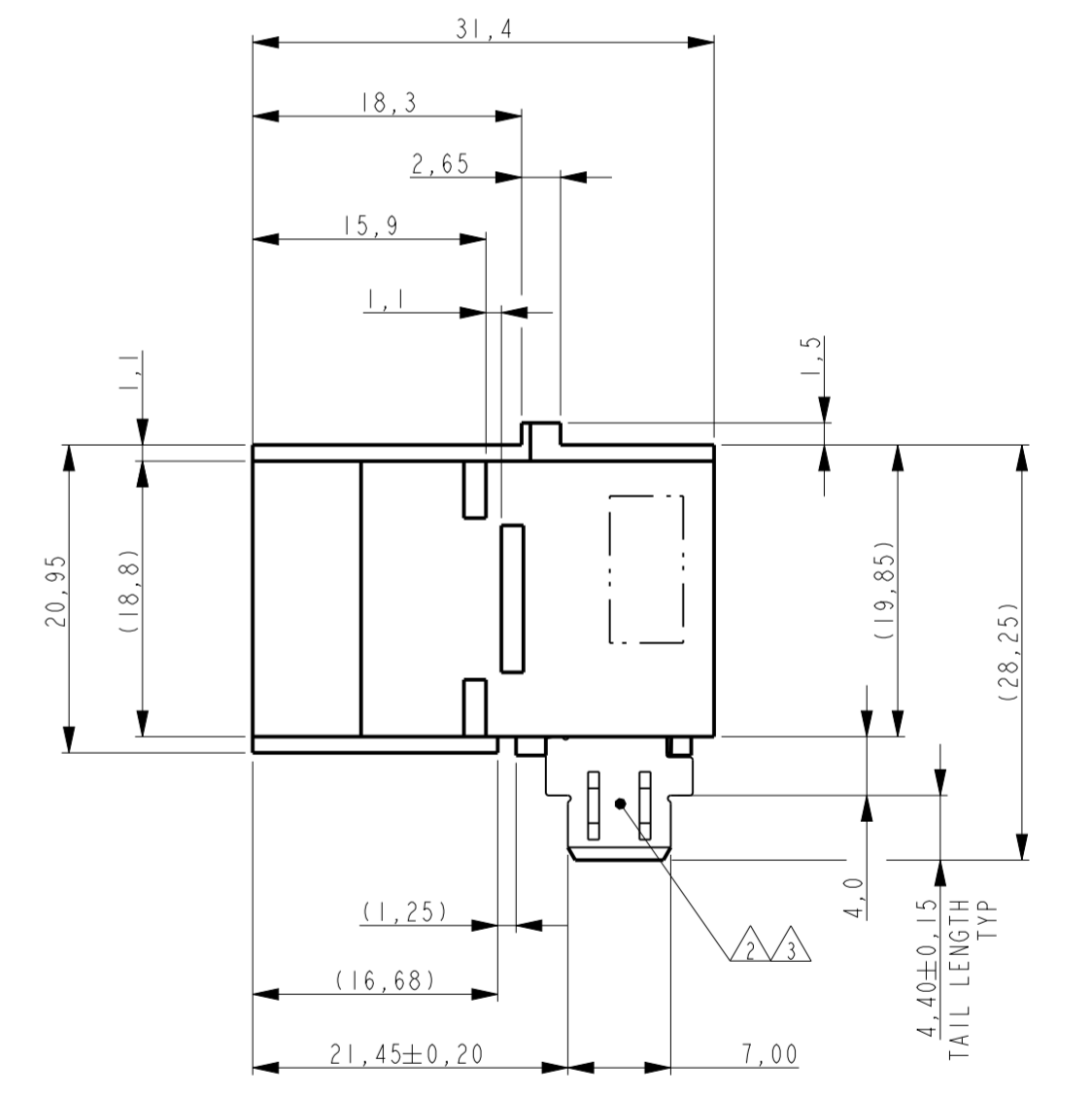
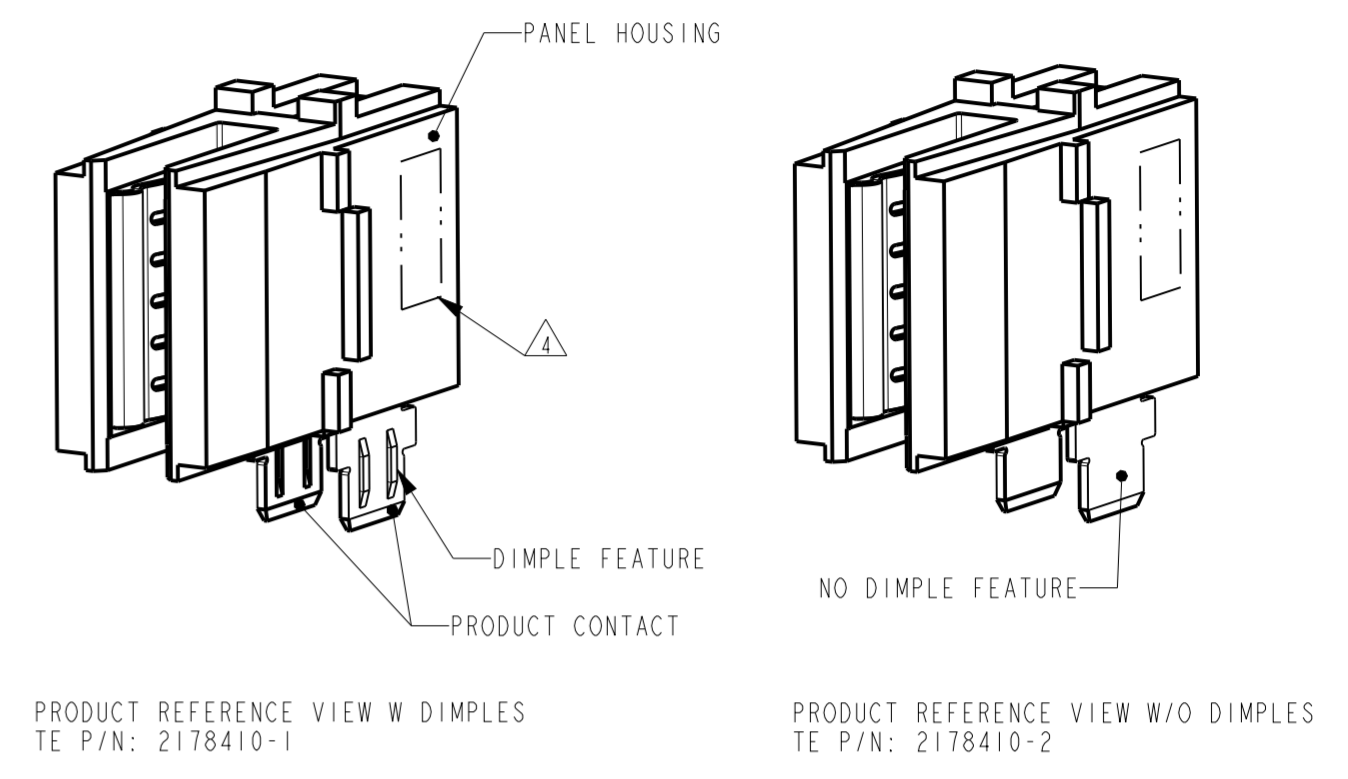
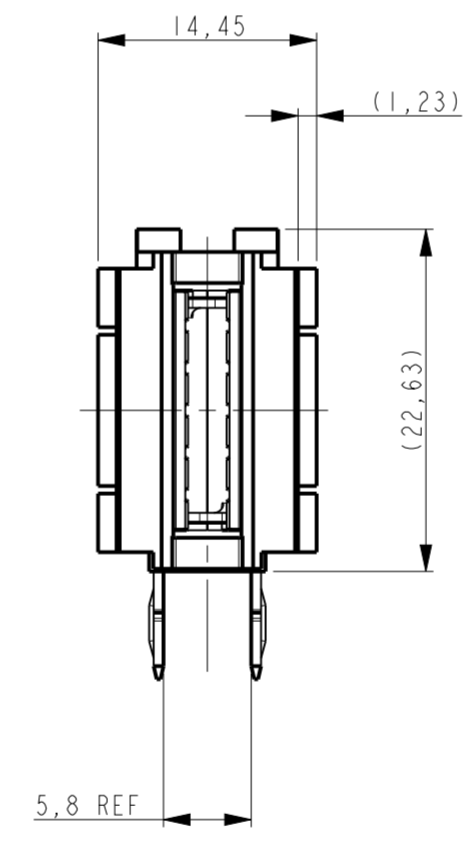
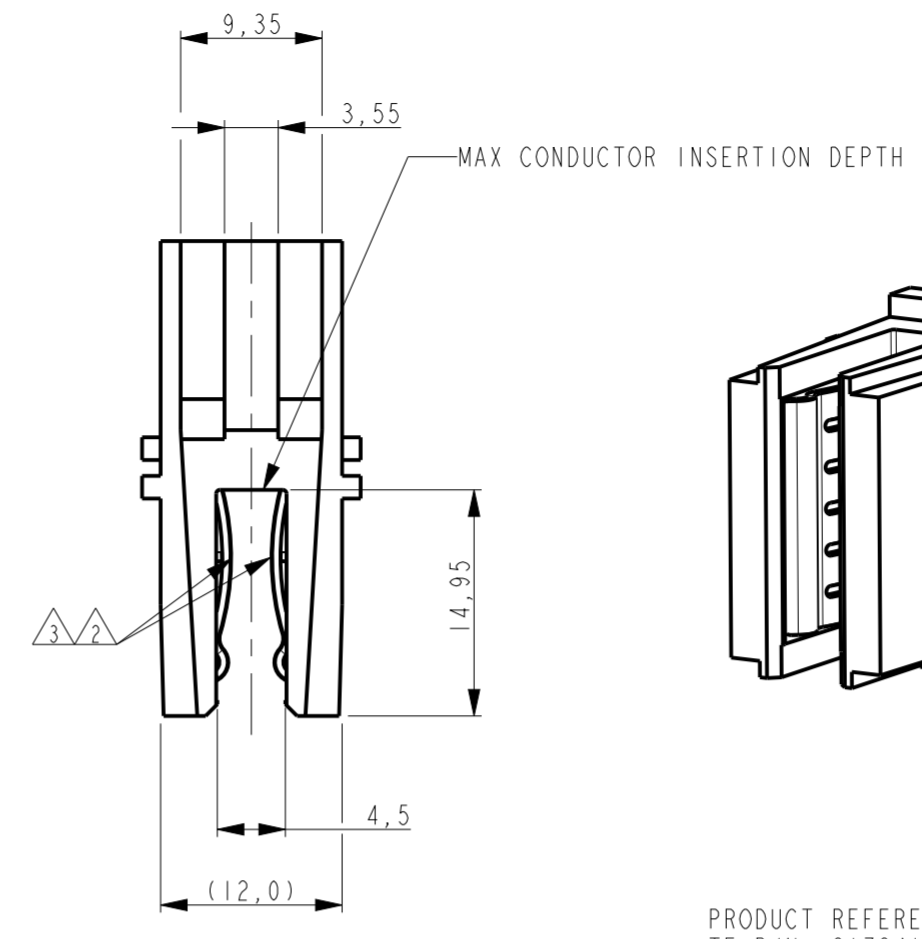
PCB AND BUSBAR-CONDUCTORS REFERENCE VIEW



RECOMMENDED PCB LAY-OUT
 THICKNESS: 1,5 - 2,0mm



- NOTES:
- 1 PCB MUST BE SUPPORTED WHILE INSERTING THE CONNECTOR IN THE SLOTS TO AVOID BENDING OF THE BOARD.
 - 2 PLATING: 1,2µm MIN. NICKEL UNDERLAYER ALLOYER.
 - 3 3,0µm MIN. TIN IN INDICATED AREA.
 - 4 TE P/N AND DATE CODE.
 - 5 MATERIAL:
 POWER CONTACT: HIGH CONDUCTIVITY COPPER ALLOY.
 HOUSING: THERMOPLASTIC, BLACK, UL94 V-0.



WITHOUT PLATING	WITH DIMPLE FEATURE	HALOGEN FREE	NO-HALOGEN FREE	TE CROWN CLIP JUNIOR POWER CONNECTOR	2178410-2	2
				TE CROWN CLIP JUNIOR POWER CONNECTOR	2178410-1	1
				DESCRIPTION	TE P/N	NO

THIS DRAWING IS A CONTROLLED DOCUMENT.

DIMENSIONS: mm	TOLERANCES UNLESS OTHERWISE SPECIFIED:	DWN SUDHAKAR 12 sep 12	TE Connectivity PLUGGABLE BUSBAR CONNECTOR SOLDER VERSION CROWN CLIP JUNIOR
		CHK SUDHAKAR 12 sep 12	
		APVD RAJENDRA 12 sep 12	
		PRODUCT SPEC 108-19360	
MATERIAL		APPLICATION SPEC 114-19128	SIZE A2
		WEIGHT	CAGE CODE 00779
		CUSTOMER DRAWING	DRAWING NO. C-2178410
			RESTRICTED TO
			SCALE 2:1
			SHEET 1 OF 1
			REV A5