



Ultra-Fast Precision TTL Comparator

MXL1016

General Description

The Maxim MXL1016 (10ns, typ) high-speed, complementary-output comparator is designed specifically to interface directly to TTL logic while operating from either a dual $\pm 5V$ supply or a single +5V supply.

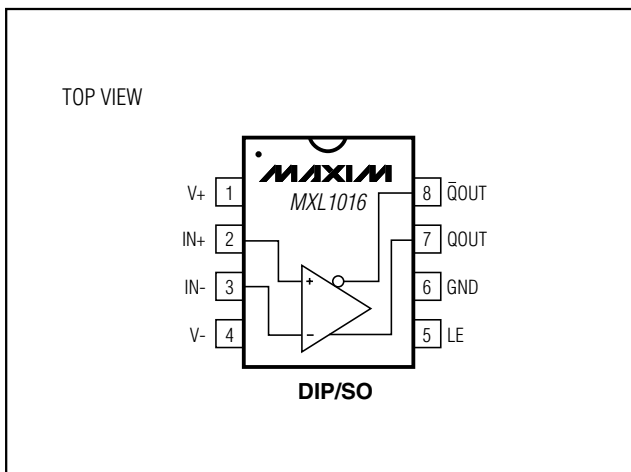
The MXL1016 remains stable with the outputs in the active region, which greatly reduces output instability common with slow-moving input signals. In addition, an output latch (LE) is provided.

For lower-power, higher-performance comparators, see the MAX912/MAX913 dual/single comparators data sheet. The MAX913 is an improved plug-in replacement for the MXL1016 and the MAX912 is the dual equivalent to the MAX913.

Applications

High-Speed A/D Converters
 Zero-Crossing Detectors
 Current Sense for Switching Regulators
 High-Speed Sampling Circuits
 High-Speed Triggers
 Line Receivers
 Extended Range V/F Converters
 Fast Pulse Height/Width Discriminators

Pin Configuration



Features

- ◆ Ultra Fast (10ns, typ)
- ◆ Single +5V or Dual $\pm 5V$ Supply Operation
- ◆ Complementary TTL Outputs
- ◆ Low Offset Voltage: 1mV
- ◆ No Minimum Input Slew-Rate Requirement
- ◆ No Power-Supply Current Spiking
- ◆ Output Latch

Ordering Information

PART	TEMP RANGE	PIN-PACKAGE
MXL1016CN8	0°C to +70°C	8 Plastic DIP
MXL1016CS8	0°C to +70°C	8 SO

Pin Description

PIN	NAME	FUNCTION
1	V+	Positive Power Supply +5V
2	IN+	Noninverting Input
3	IN-	Inverting Input
4	V-	Negative Power Supply, -5V for dual supply or GND for single supply
5	LE	Latch Enable. QOUT and \bar{Q} OUT are latched when LE is high
6	GND	Ground
7	QOUT	TTL Output
8	\bar{Q} OUT	Complementary TTL Output

Ultra-Fast Precision TTL Comparator

ABSOLUTE MAXIMUM RATINGS

Positive Supply Voltage.....	7V	Output Current (continuous).....	±20mA
Negative Supply Voltage	-7V	Continuous Power Dissipation (T _A = +70°C)	
V+ to V-	13V	8-Pin Plastic DIP (derate 9.09mW/°C above +70°C) ...	727mW
Differential Input Voltage		8-Pin SO (derate 5.88mW/°C above +70°C).....	471mW
MXL1016.....	±5V	Operating Temperature Ranges:	
Input Voltage (either input)		MXL1016.....	0°C to +70°C
MXL1016	Equal to Supplies	Storage Temperature Range	-65°C to +150°C
Latch Pin Voltage	Equal to Supplies	Lead Temperature (soldering, 10s)	+300°C

Stresses beyond those listed under "Absolute Maximum Ratings" may cause permanent damage to the device. These are stress ratings only, and functional operation of the device at these or any other conditions beyond those indicated in the operational sections of the specifications is not implied. Exposure to absolute maximum rating conditions for extended periods may affect device reliability.

ELECTRICAL CHARACTERISTICS

(V+ = 5V, V- = -5V, V_{OUT(Q)} = 1.4V, V_{LE} = 0V, T_A = T_{MIN} to T_{MAX}, unless otherwise noted. Typical values are at T_A = +25°C.) (Note 1)

PARAMETER	SYMBOL	CONDITIONS	MIN	TYP	MAX	UNITS	
Input Offset Voltage (Note 2)	V _{OS}	R _S ≤ 100Ω	T _A = +25°C		1.0	±3	mV
			T _A = T _{MIN} to T _{MAX}			3.5	
Input Offset-Voltage Drift	ΔV _{OS} /ΔT	T _A = T _{MIN} to T _{MAX}			4		μV/°C
Input Offset Current (Note 2)	I _{OS}	T _A = +25°C		0.3	1	μA	
		T _A = T _{MIN} to T _{MAX}			1.3		
Input Bias Current (Note 3)	I _B	T _A = +25°C		5	10	μA	
		T _A = T _{MIN} to T _{MAX}			13		
Input Voltage Range	V _{CM}	Dual +5V and -5V supply		-3.75	+3.50	V	
		Single 5V supply		+1.25	+3.50		
Common-Mode Rejection Ratio	CMRR	-3.75V ≤ V _{CM} ≤ 3.5V		80	96	dB	
Power-Supply Rejection Ratio	PSRR	Positive supply: 4.6V ≤ V+ ≤ 5.4V		60	75	dB	
		Negative supply: -2V ≥ V- ≥ -7V		80	100		
Small-Signal Voltage Gain	A _V	1V ≤ V _{OUT} ≤ 2V, T _A = +25°C		1400	3000	V/V	
Output High Voltage	V _{OH}	V+ ≥ 4.6V	I _{OUT} = 1mA	2.7	3.4	V	
			I _{OUT} = 10mA	2.4	3.0		
Output Low Voltage	V _{OL}	I _{SINK} = 4mA		0.3	0.5	V	
		I _{SINK} = 10mA, T _A = +25°C		0.4			
Positive Supply Current	I+	(Note 4)		25	35	mA	
Negative Supply Current	I-	(Note 4)		3	5	mA	

Ultra-Fast Precision TTL Comparator

MXL1016

ELECTRICAL CHARACTERISTICS (continued)

(V+ = 5V, V- = -5V, V_{OUT(Q)} = 1.4V, V_{LE} = 0V, T_A = T_{MIN} to T_{MAX}, unless otherwise noted. Typical values are at T_A = +25°C.) (Note 1)

PARAMETER	SYMBOL	CONDITIONS	MIN	TYP	MAX	UNITS	
Latch Pin High Input Voltage	V _{IH}		2.0			V	
Latch Pin Low Input Voltage	V _{IL}				0.8	V	
Latch Pin Current	I _{IL}	V _{LE} = 0V			-500	μA	
Propagation Delay (Note 5)	t _{PD}	ΔV _{IN} = 100mV, OD = 5mV	T _A = +25°C		10	14	ns
						16	
		ΔV _{IN} = 100mV, OD = 20mV	T _A = +25°C		9	12	
						15	
Differential Propagation Delay (Note 5)	Δt _{PD}	ΔV _{IN} = 100mV, OD = 5mV, T _A = +25°C			4	ns	
Latch Setup Time	t _{SU}	(Note 6)		2		ns	
Latch Hold Time	t _H	(Note 6)		2		ns	

Note 1: All specifications are 100% tested at T_A = +25°C, unless otherwise noted. Specification limits over temperature (T_A = T_{MIN} to T_{MAX}) are guaranteed by design.

Note 2: Input offset voltage is defined as the average of the two input offset voltages, measured by forcing first one output, then the other to 1.4V. Input offset current is defined in the same way.

Note 3: Input bias current (I_B) is defined as the average of the two input currents.

Note 4: Supply currents are measured with V_{OUT} (Q) driven to both V_{OH} and V_{OL} (not 1.4V).

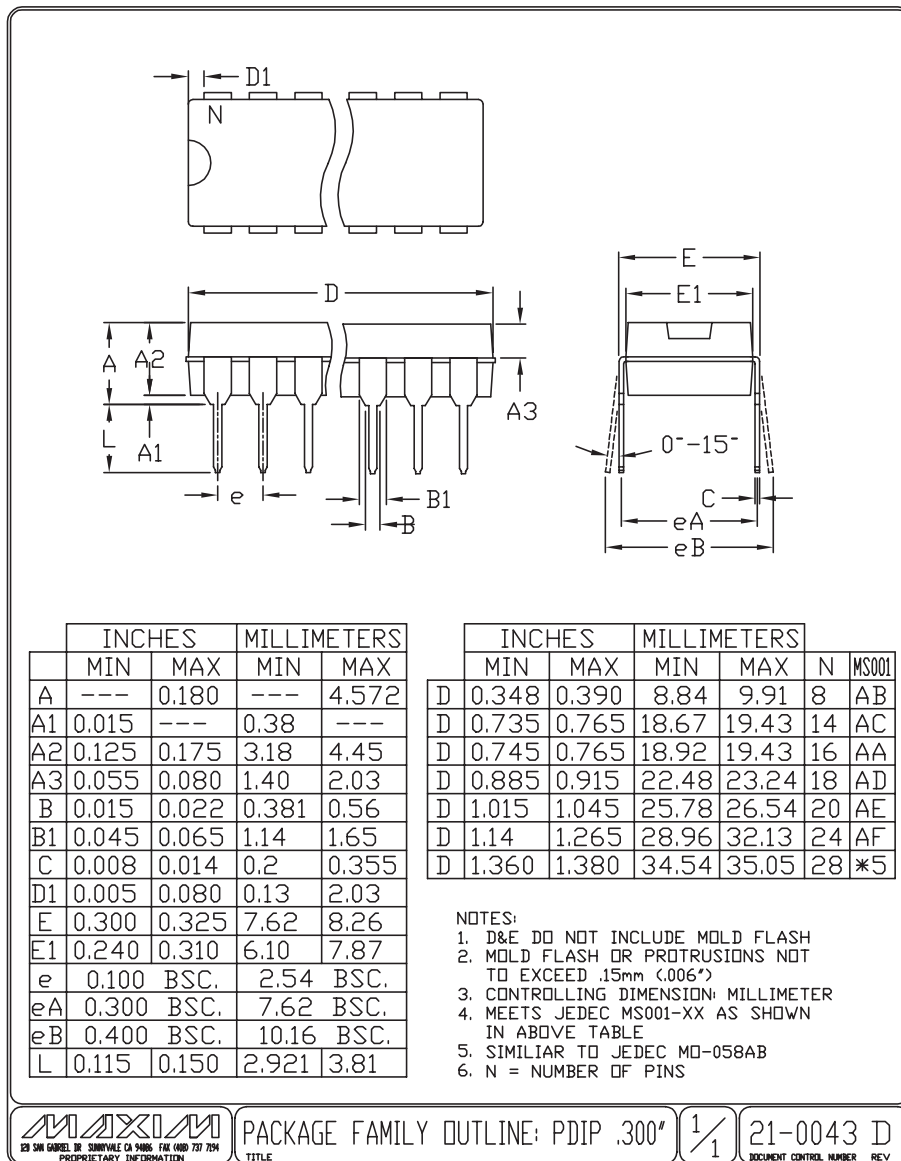
Note 5: t_{PD} and Δt_{PD} cannot be measured in automatic handling equipment with low values of overdrive. Characterization and correlation tests have shown that t_{PD} and Δt_{PD} limits can be guaranteed by design. Electrical Characteristic DC tests are performed to guarantee that all internal bias conditions are correct. For low overdrive conditions, V_{OS} is added to overdrive.

Note 6: Input latch setup time, t_{SU}, is the interval in which the input signal must be stable prior to asserting the latch signal. The hold time, t_H, is the interval after the latch is asserted in which the input signal must be stable.

Ultra-Fast Precision TTL Comparator

Package Information

(The package drawing(s) in this data sheet may not reflect the most current specifications. For the latest package outline information, go to www.maxim-ic.com/packages.)

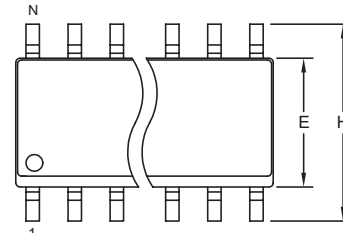


Ultra-Fast Precision TTL Comparator

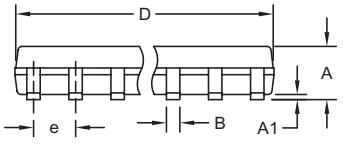
Package Information (continued)

(The package drawing(s) in this data sheet may not reflect the most current specifications. For the latest package outline information, go to www.maxim-ic.com/packages.)

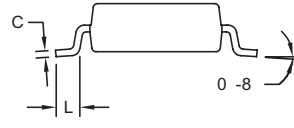
MXL1016



TOP VIEW



FRONT VIEW



SIDE VIEW

NOTES:

1. D&E DO NOT INCLUDE MOLD FLASH.
2. MOLD FLASH OR PROTRUSIONS NOT TO EXCEED 0.15mm (.006").
3. LEADS TO BE COPLANAR WITHIN 0.10mm (.004").
4. CONTROLLING DIMENSION: MILLIMETERS.
5. MEETS JEDEC MS012.
6. N = NUMBER OF PINS.

DIM	INCHES		MILLIMETERS	
	MIN	MAX	MIN	MAX
A	0.053	0.069	1.35	1.75
A1	0.004	0.010	0.10	0.25
B	0.014	0.019	0.35	0.49
C	0.007	0.010	0.19	0.25
e	0.050 BSC		1.27 BSC	
E	0.150	0.157	3.80	4.00
H	0.228	0.244	5.80	6.20
L	0.016	0.050	0.40	1.27

VARIATIONS:

DIM	INCHES		MILLIMETERS		N	MS012
	MIN	MAX	MIN	MAX		
D	0.189	0.197	4.80	5.00	8	AA
D	0.337	0.344	8.55	8.75	14	AB
D	0.386	0.394	9.80	10.00	16	AC

SOIC .150" EPS

DALLAS SEMICONDUCTOR		MAXIM	
PROPRIETARY INFORMATION			
TITLE: PACKAGE OUTLINE, .150" SOIC			
APPROVAL	DOCUMENT CONTROL NO. 21-0041	REV. B	1/1

Maxim cannot assume responsibility for use of any circuitry other than circuitry entirely embodied in a Maxim product. No circuit patent licenses are implied. Maxim reserves the right to change the circuitry and specifications without notice at any time.

Maxim Integrated Products, 120 San Gabriel Drive, Sunnyvale, CA 94086 408-737-7600 _____ **5**