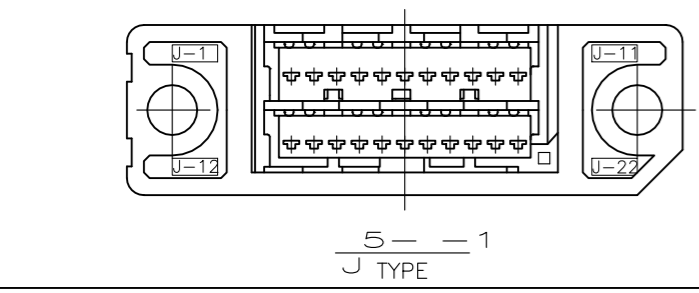
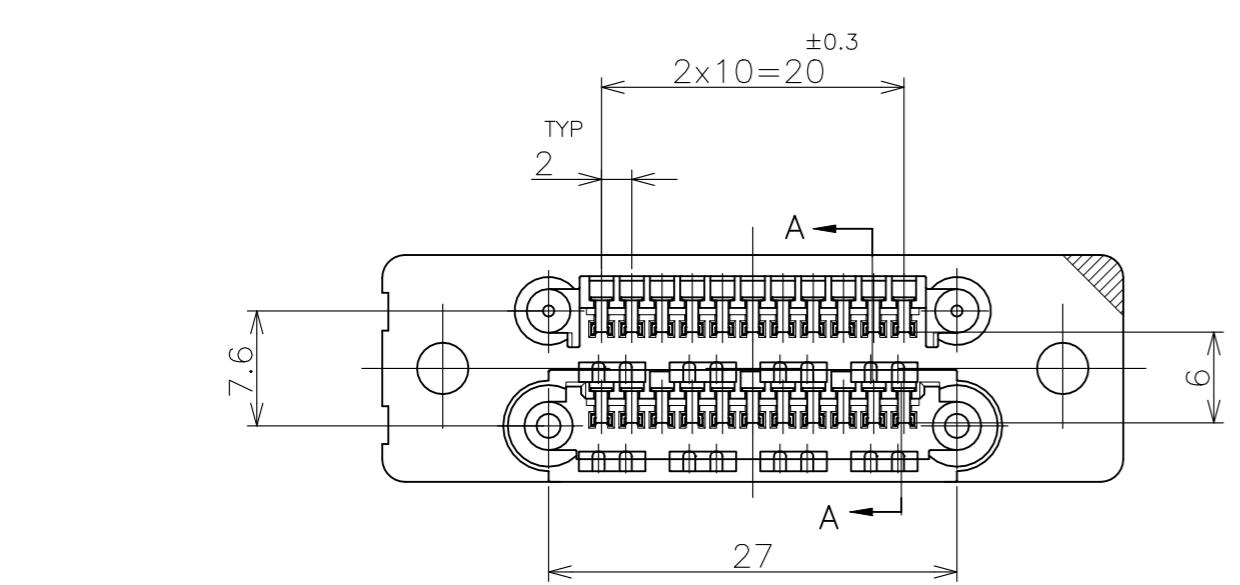
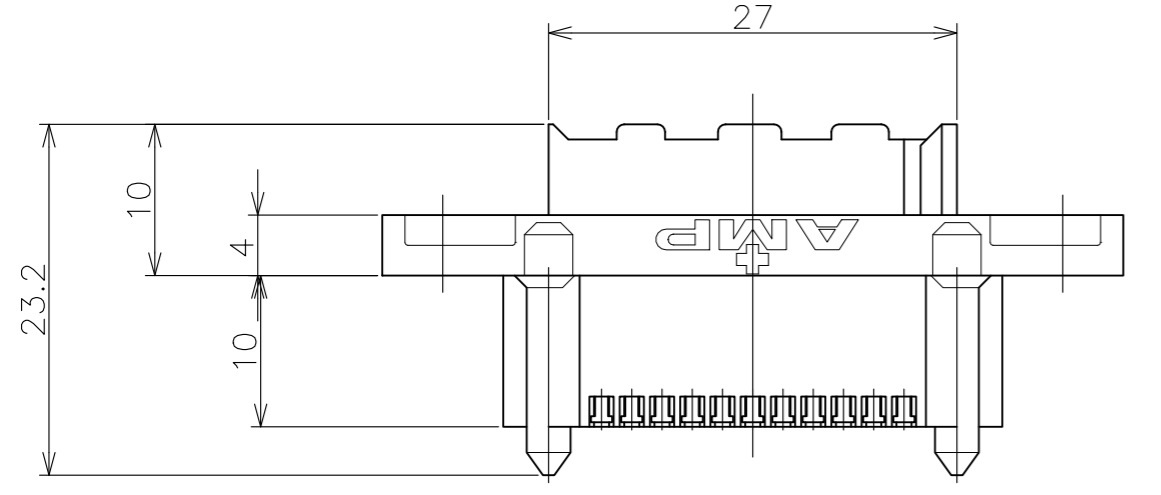
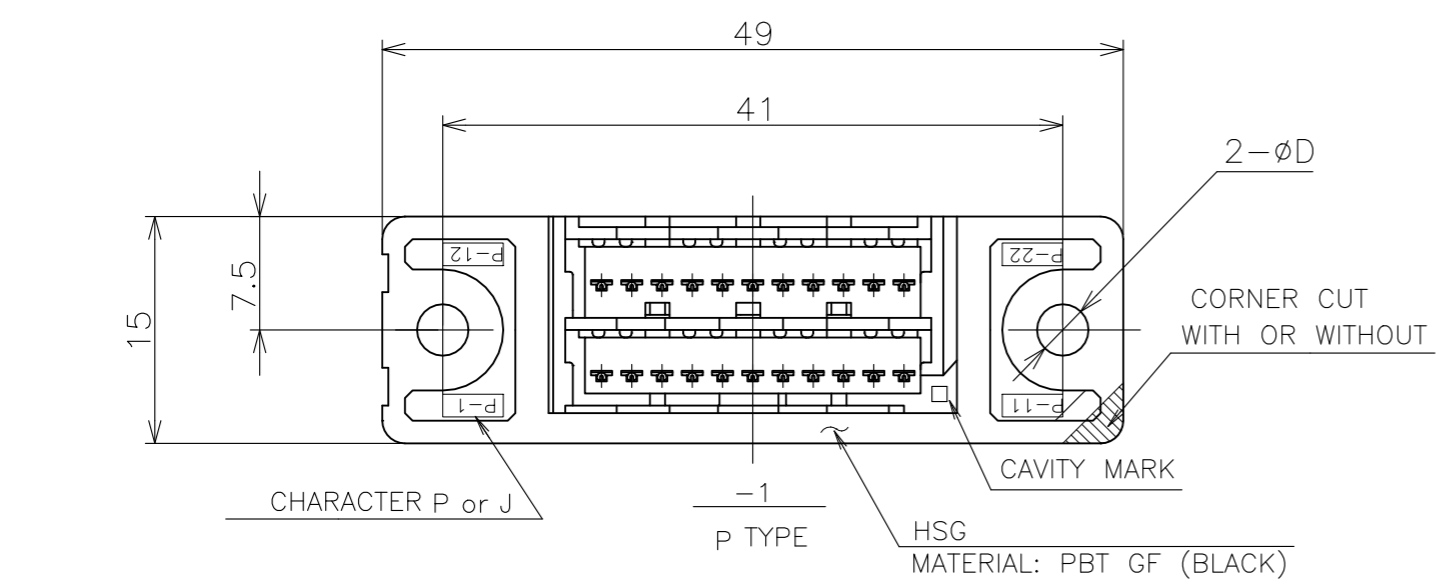
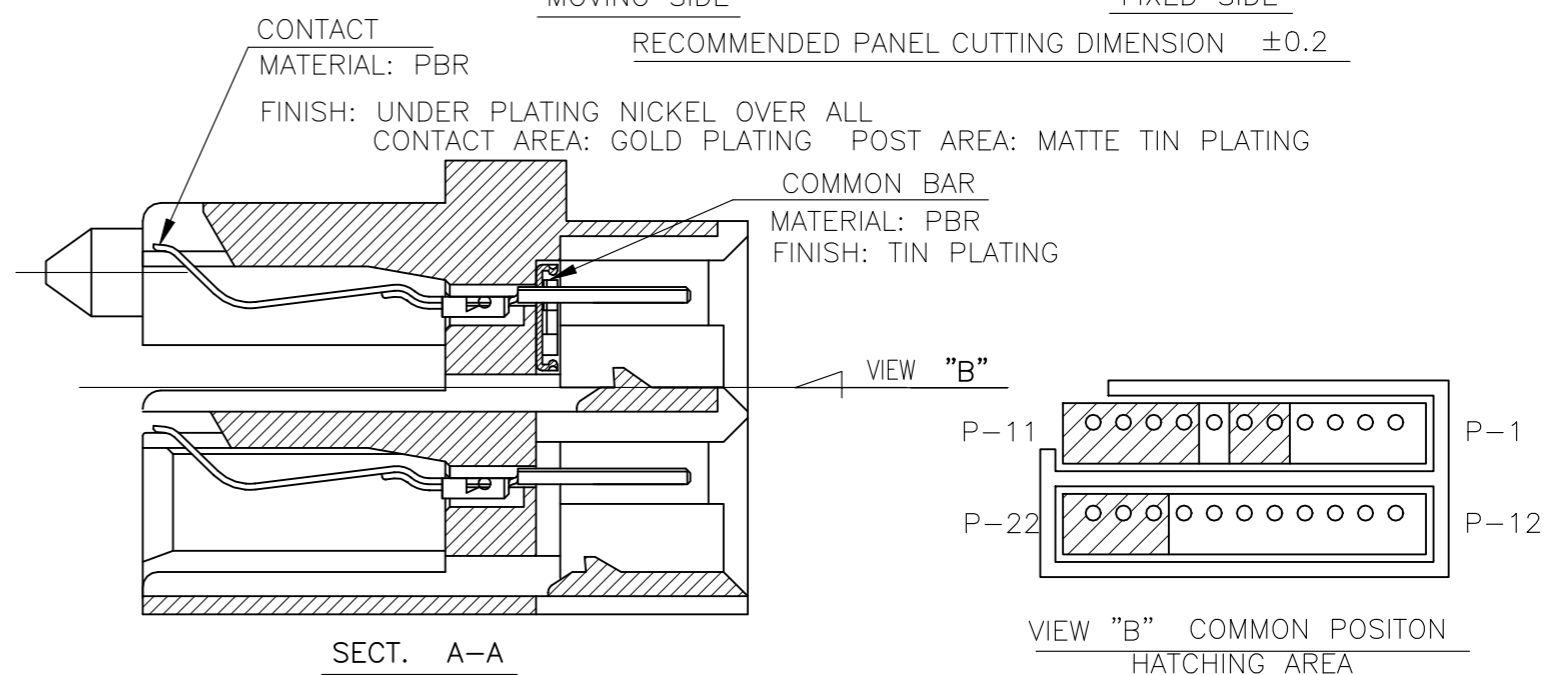
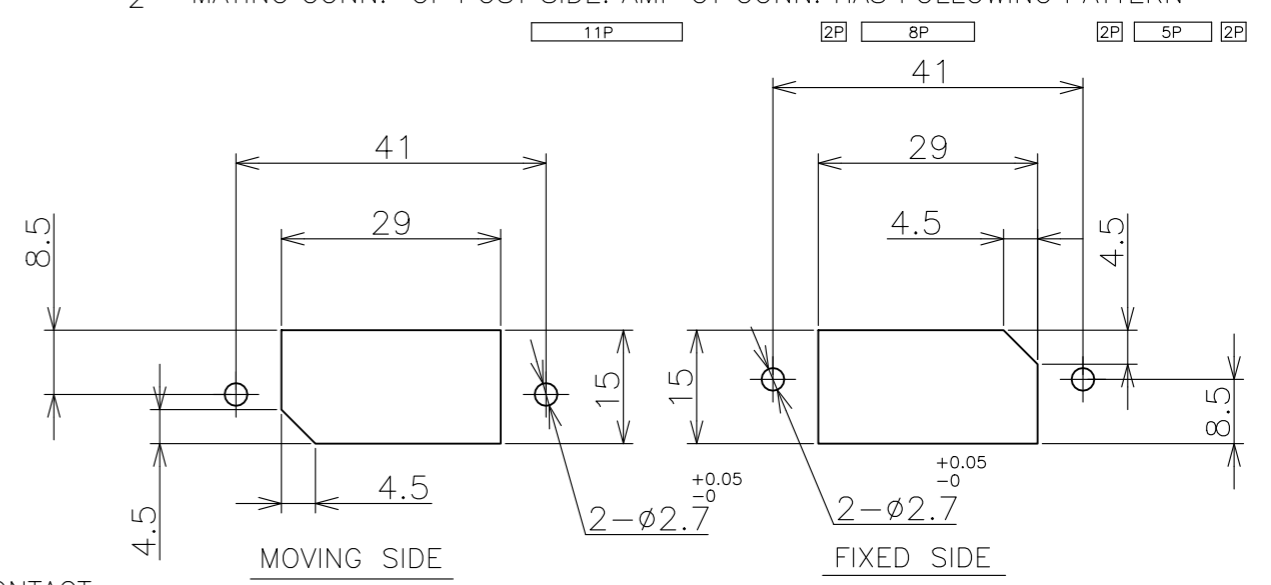


REVISIONS				
P	LTR	DESCRIPTION	DATE	DWN APVD
B1		REVISED PER ECR-22-142516	13JUL2022	SSM S.Y



NOTES:

- 1 APPLIED USED TAPPING SCREW P/N: 176848-1
- 2 MATING CONN. OF POST SIDE: AMP CT CONN. HAS FOLLOWING PATTERN



— —	CUT	4.4	J	5-292178-1
— —	— —	3.4	P	292178-1
COMMON TAB	CORNER CUT	D	HSG TYPE	P/N

THIS DRAWING IS A CONTROLLED DOCUMENT.

DIMENSIONS: mm	TOLERANCES UNLESS OTHERWISE SPECIFIED:
	0 PLC ± -
	1 PLC ± -
	2 PLC ± -
	3 PLC ± -
	4 PLC ± -
	ANGLES ± -
MATERIAL SEE SHEET	FINISH SEE SHEET

DWN J.JIANG 05FEB03	NAME
CHK S.YAO 05FEB03	
APVD T.SASAKI 05FEB03	
PRODUCT SPEC 108-60021	
APPLICATION SPEC	RESTRICTED TO
WEIGHT 0.000000	A3 00779
CUSTOMER DRAWING	C-292178



22P MINI-DRAWER CONNECTOR

SIZE	CAGE CODE	DRAWING NO	RESTRICTED TO
A3	00779	C-292178	—
SCALE	SHEET	REV	
NTS	1 OF 1	B1	