

THIS DRAWING IS UNPUBLISHED.

RELEASED FOR PUBLICATION

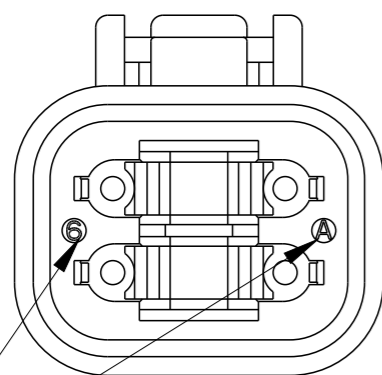
2018

© COPYRIGHT 1989 BY - TE CONNECTIVITY

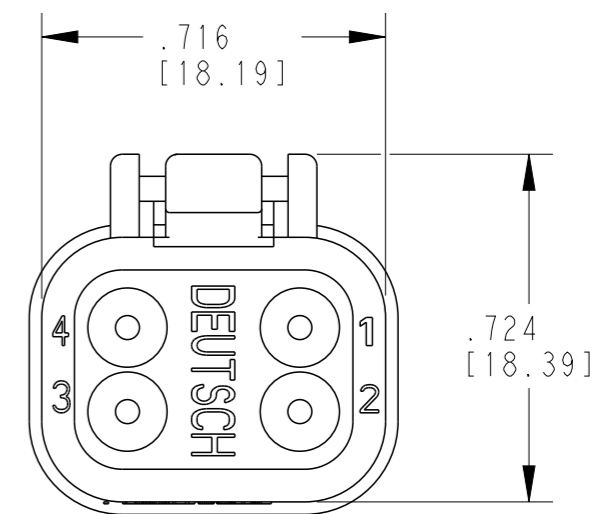
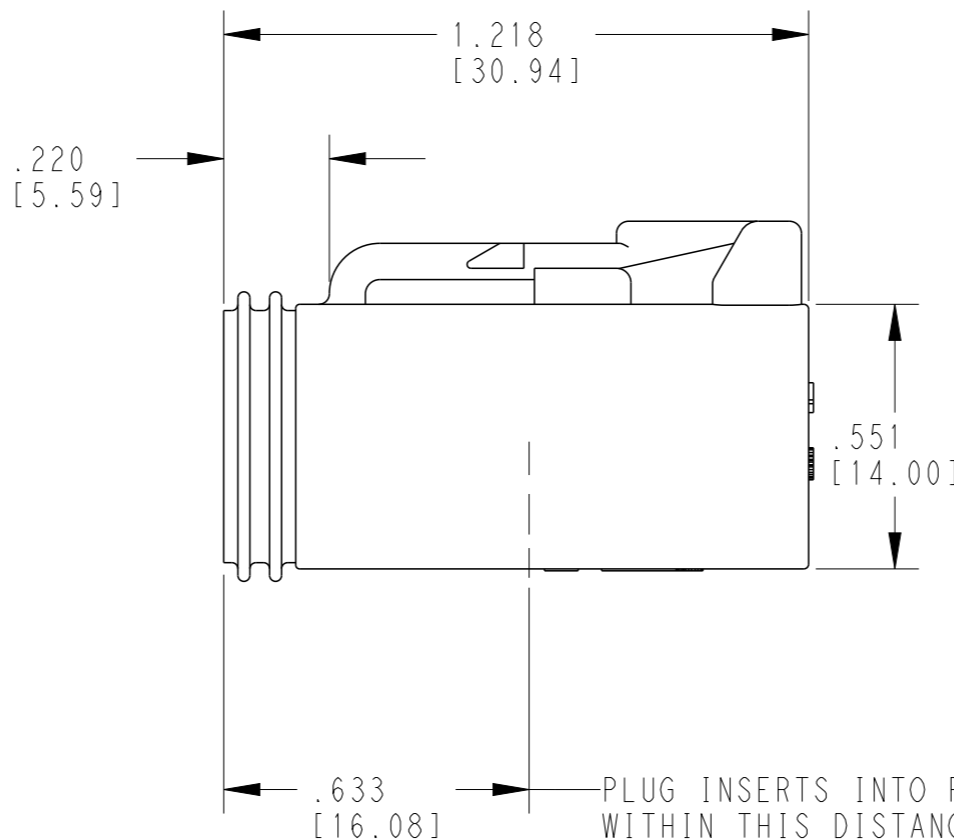
ALL RIGHTS RESERVED.

REVISIONS

P	LTR	DESCRIPTION	DATE	DWN	APVD
	NC	NEW RELEASE PER E.O. A092286	12/5/89	CW	JA
	A	NEW RELEASE PER E.O. A09335	09/06/90	CW	JA
	B	NEW RELEASE PER E.O. AP15019	04/04/96	CW	JA
	B1	REVISED PER PCN E-18-016951	10/25/18	AJ	DM



DATE CODE: YEAR IS REPRESENTED BY LAST NUMERICAL DIGIT. EX: 6=2016
 MONTH IS REPRESENTED BY SEQUENTIAL ALPHA CHARACTERS. EX: A=JANUARY



CONTACT SIZE	MIN. INSUL. O.D.	MAX. INSUL. O.D.	WIRE RANGE
16	.088 [2.23]	.145 [3.68]	14-18 AWG [2.0-0.75 mm ²]

3 MATERIAL - HOUSING: PA66 GF15 (GRAY)
 - GROMMET/SEAL: VMQ (RED-ORANGE)

2. FOR CONTACT AND WIRE PERFORMANCE AND APPLICATION CHARACTERISTICS SEE CUSTOMER DRAWING 0425-015-0000.

1. THIS PLUG MATES WITH DT04-4P-XXXX RECEPTACLE AND USES THE W4S WEDGE LOCK. (XXXX = ALL MODIFICATIONS).

NOTES:

THIS DRAWING IS A CONTROLLED DOCUMENT.

DIMENSIONS: in [mm]	TOLERANCES UNLESS OTHERWISE SPECIFIED: 0 PLC ± 1 PLC ± 2 PLC ± 3 PLC ±.025 [.63] 4 PLC ± ANGLES ±0° 30' 0"
MATERIAL	FINISH

DWN	C. WOODRUFF	13JUL90
CHK	V. TOMSA	12FEB96
APVD	R. REED	4APR96
PRODUCT SPEC	108-151009	
APPLICATION SPEC	114-151009	
WEIGHT	7 g	
CUSTOMER DRAWING		

TE TE Connectivity

NAME
4 WAY PLUG
COLOR: GRAY
DT SERIES

SIZE	CAGE CODE	DRAWING NO	RESTRICTED TO
A3	4AFU8	DT06-4S	-

SCALE 1:1 SHEET 1 OF 1 REV B1